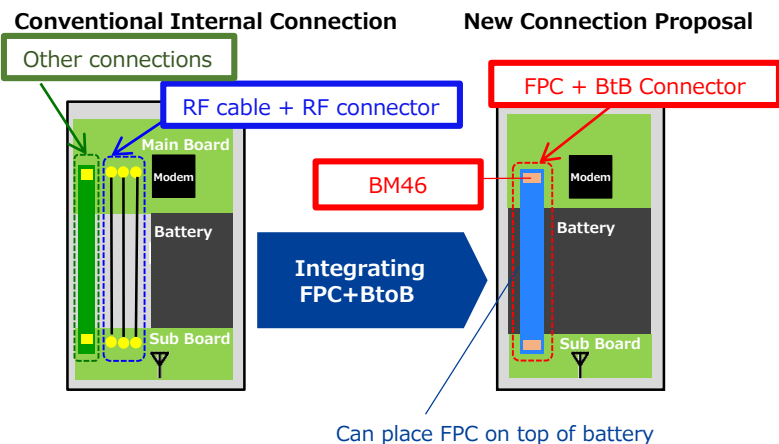


Features

- 1 Multi-RF capable Board-to-Board connector, World's smallest width class
- 2 Contact design ideal for both high-speed digital transmission and RF signal
- 3 Superior RF Signal Transmission
V.S.W.R. 0-3GHz : 1.3 Max.
3-6GHz : 1.4 Max.
6-12GHz : 1.6 Max.
- 4 Center shield prevents signal noise between opposing rows
- 5 Robust metal mating guides

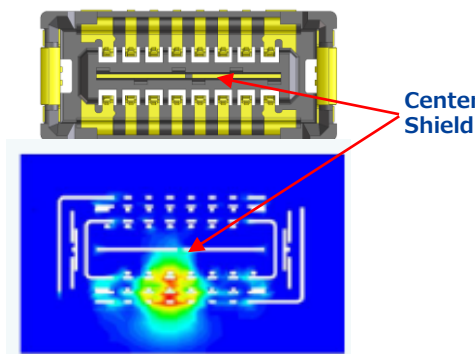
Multi-RF Capable

◆ Achieve reduced size and increased productivity



Noise Prevention

◆ Center shield for noise prevention enables RF signal pin assignment between opposing rows.



Specifications

Rated Current	Signal contact: 0.3A
Rated Voltage	30V AC/DC
Operating Temperature	-55-+85°C
Contact Resistance	Signal Contact : 100mΩ (Measured at AC 20mV, 1kHz, 1mA)
Withstanding Voltage	150V AC for 1 min.
Insulation Resistance	100MΩ Min. (100V DC)
Durability	10 times
V.S.W.R.	0-3GHz : 1.3 Max. 3-6GHz : 1.4 Max. 6-12GHz : 1.6 Max.