

Stick Watch Accessory Kit

SKU:A173



Description

Stick Watch Accessory Kit is a universal watch accessory set designed specifically for the M5Stick series, including a nylon watch strap, a host fixing clip, and two types of expansion bases. Leveraging the powerful hardware resources and expansibility of M5Stick series devices, the strap and clip can be used to realize wearable application scenarios. In addition to time display, it can also implement applications such as motion status monitoring and smart home control. With the dual expansion bases, it supports various usage forms including wall mounting and LEGO brick splicing, unlocking more application possibilities for the device.

Features

- Compatible with M5Stick devices
- Wearable smart watch modification solution
- Dual expansion bases
- Nylon strap, comfortable and durable
- Supports various usages including wall mounting and LEGO splicing

Includes

- 1 x Nylon Watch Strap
- 3 x Watch Strap Spring Bars
- 1 x Watch Mount Accessory
- 1 x LEGO Compatible Accessory
- 1 x Wall Mount Accessory

Applications

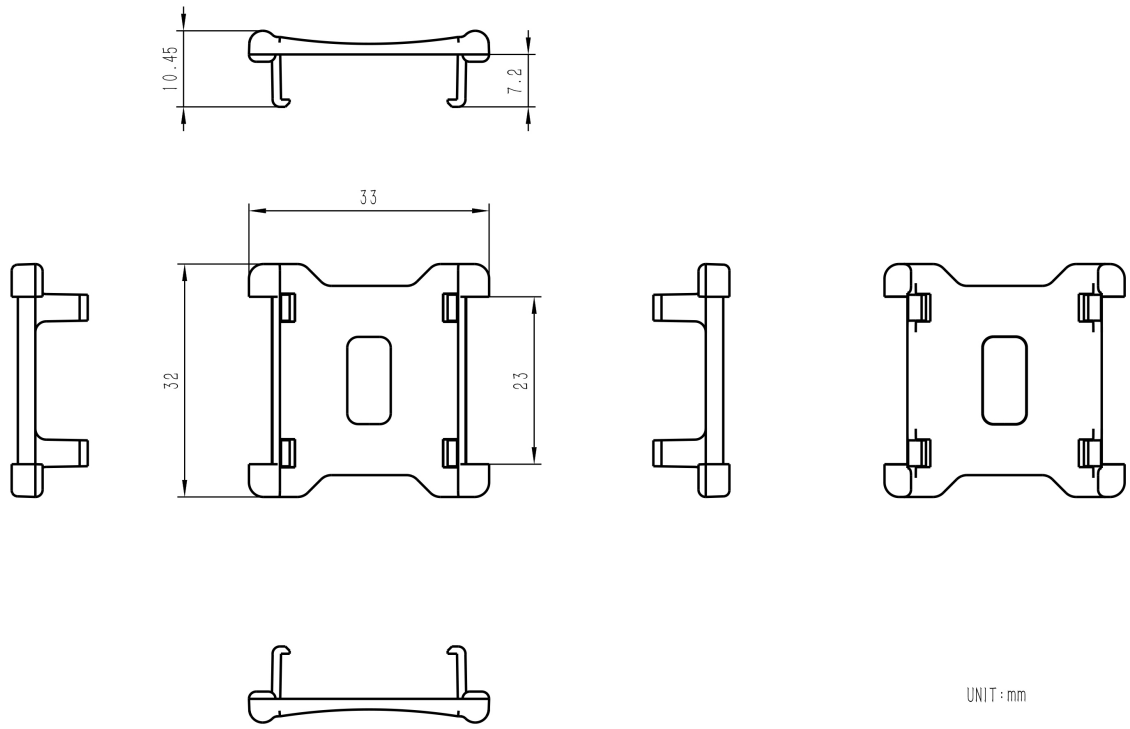
- DIY smart watch modification
- Maker project expansion installation
- Desktop IoT terminal construction

Specifications

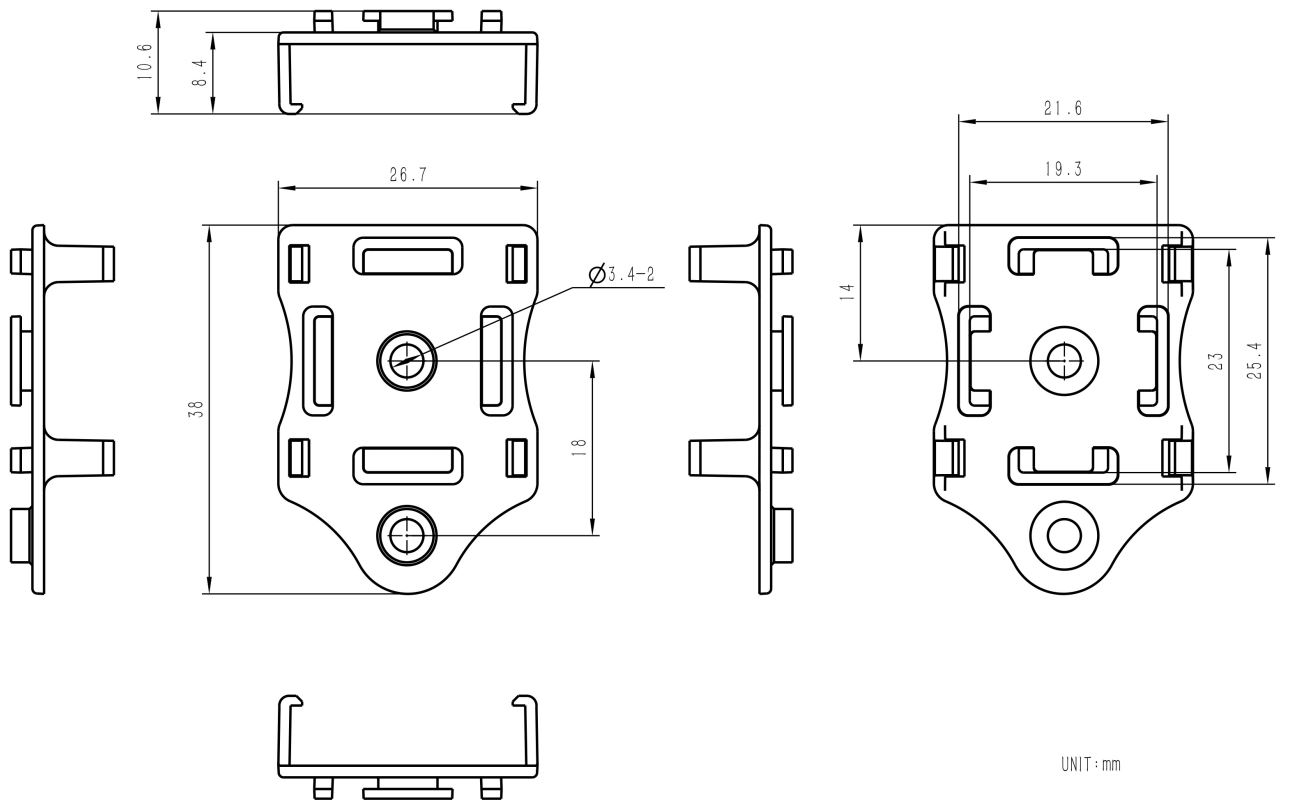
Specification	Parameter
Strap Material	Nylon
Product Weight	14.5g
Package Size	170.0 x 120.0 x 5.0mm
Gross Weight	18.4g

Model Size

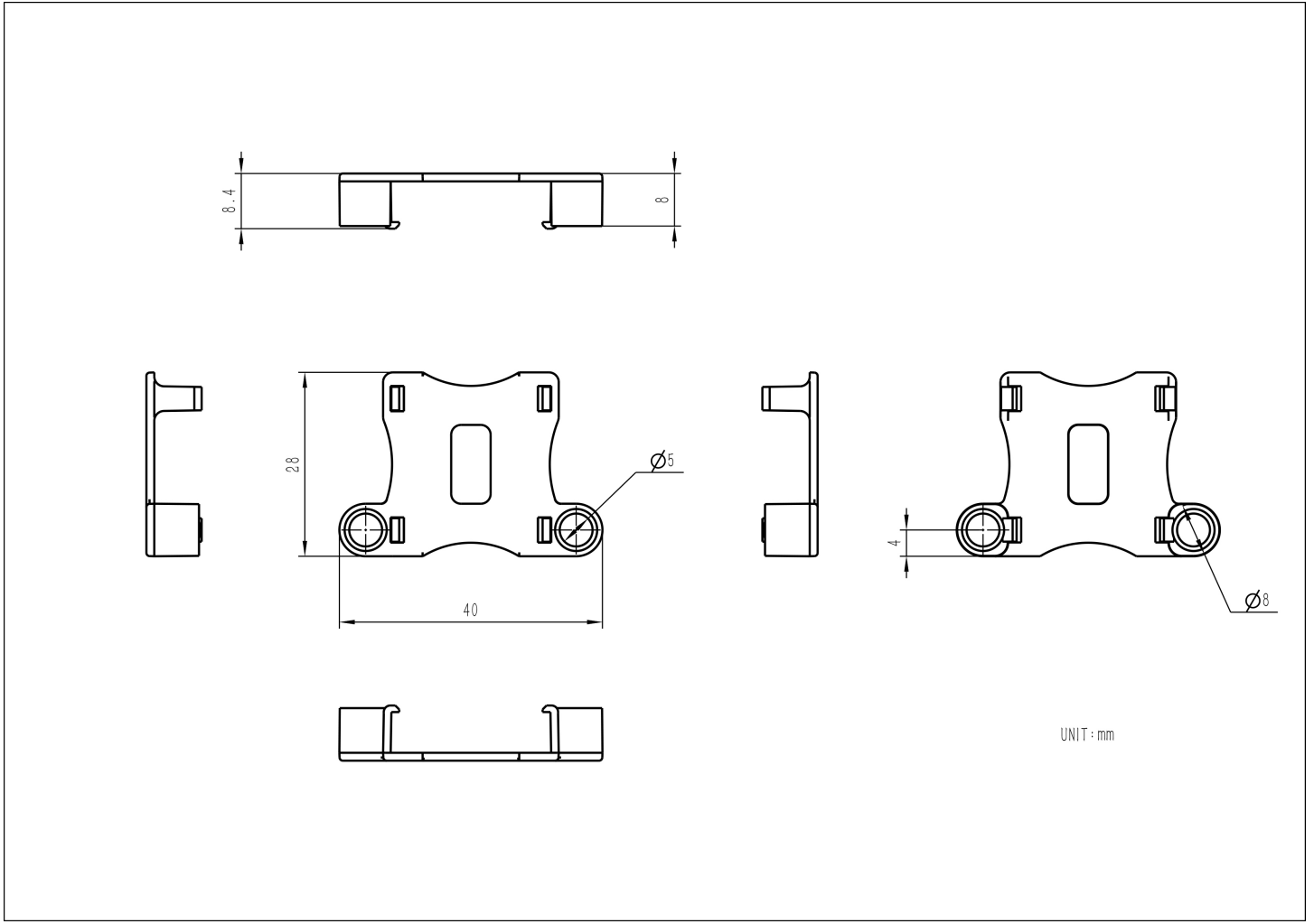
- [Stick Watch Accessory Kit Model Size PDF](#)



UNIT : mm



UNIT : mm



Video

- Stick Watch Accessory Kit Product Introduction

[A173-Stick-Watch-Accessory-Kit-video-EN.mp4](#)