

Lighthouse Beginner Soldering Kit

KIT-14635

Product Overview

12-14-2021

For the most up-to-date information, visit www.mouser.com or the supplier's website.

Description

SparkFun KIT-14635 Lighthouse Beginner Soldering Kit helps to acquire intermediate soldering skills by assembling an Isophase lighthouse. This kit includes a lighthouse PCB and base, a CR2032 battery holder, four resistors, two NPN transistors, two capacitors, a power switch, and a white LED. The lighthouse soldering kit offers options to change the flashing pattern by changing the resistor values. This kit can be assembled in 10 to 20 minutes with the basic soldering materials.

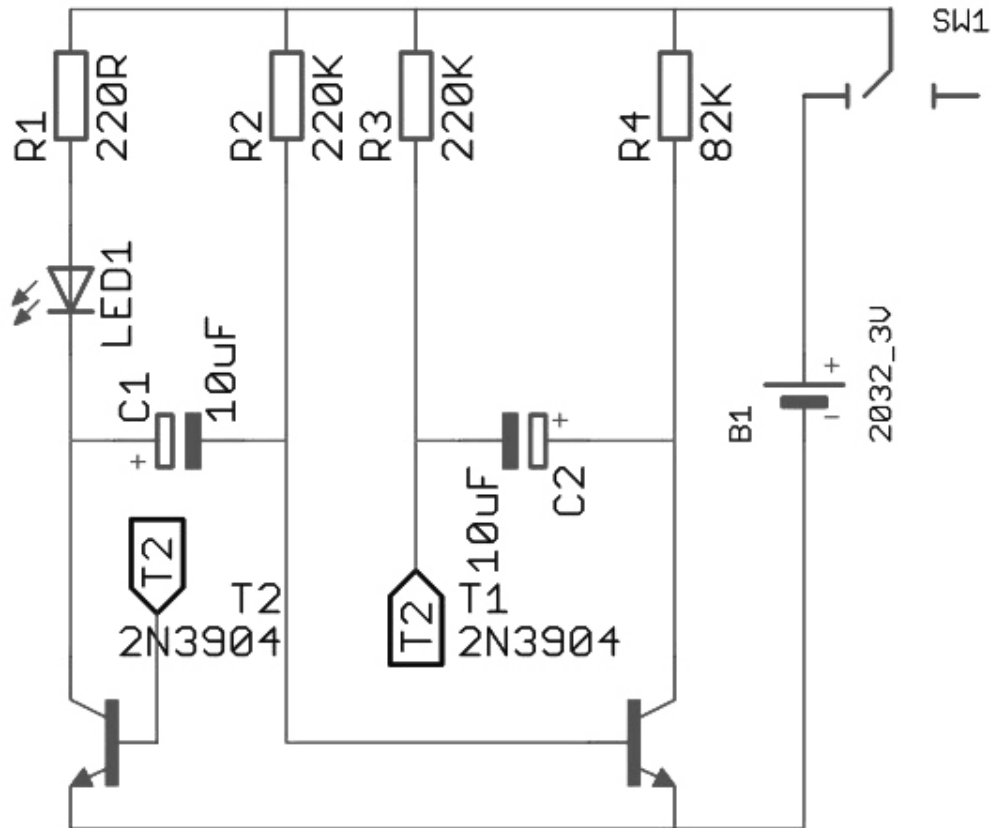


Kit Contents

- 1x Lighthouse PCB
- 1x Stand PCB
- 1x White LED
- 1x 220 Ohm Resistor
- 1x 82k Ohm Resistor
- 2x 220k Ohm Resistors
- 2x 2N3904 NPN Transistors
- 2x 10uF Capacitors
- 1x Power Switch
- 1x CR2032 Battery Holder



Schematic



Mouser Part Number

[View Part](#)

To learn more, visit <https://www.mouser.com/new/sparkfun/sparkfun-14635-soldering-kit/>