

# Qorvo QPA3070 RF Amplifiers

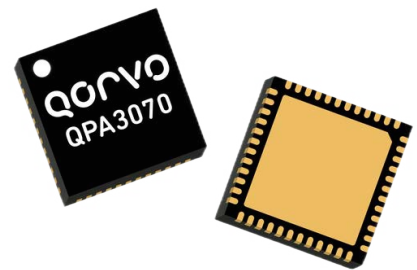
## Product Overview

27/04/2021

For the most up-to-date information, visit [www.mouser.com](http://www.mouser.com) or the supplier's website.

## Description

The QPA3070 RF Amplifiers are high-power S-band amplifiers. These amplifiers operate at a frequency range of 2.9GHz to 3.5GHz and they also provide up to 52dBm of saturated output power. QPA3070 amplifiers are 100% DC and also RF tested on-wafer to ensure compliance to electrical specifications.



## Features

- 100% DC
- RF tested on-wafer
- RoHS compliant
- Lead and Halogen free packages
- 3A001.B.2.A3 ECCN

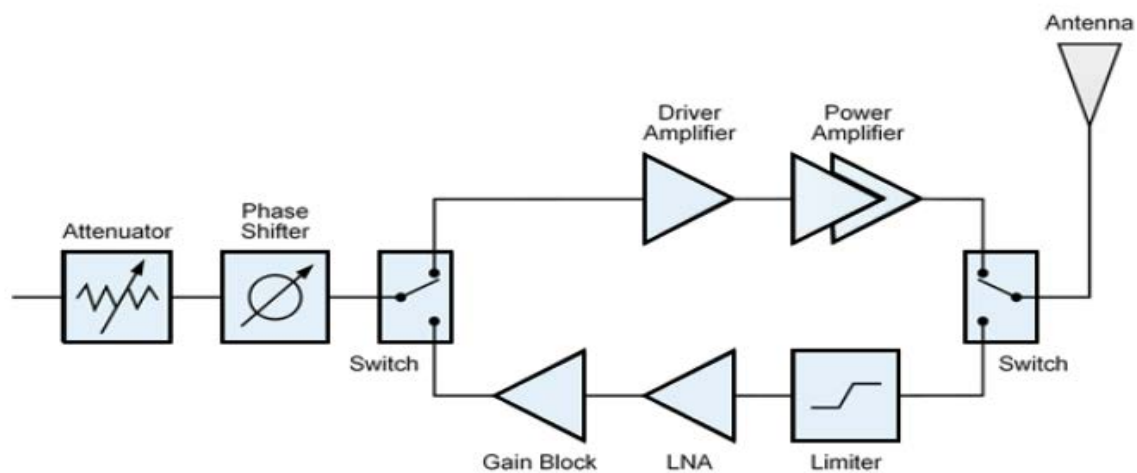
## Specifications

- 150W high power
- 2.9GHz to 3.5GHz frequency range
- 52dBm  $P_{SAT}$  saturated output power

## Applications

- Electronic Warfare
- Radar

## Block Diagram



## Mouser Part Number(s)

[View All Parts](#)

To learn more, visit <https://www.mouser.com/new/qorvo/qorvo-qp3070-rf-amplifiers/>