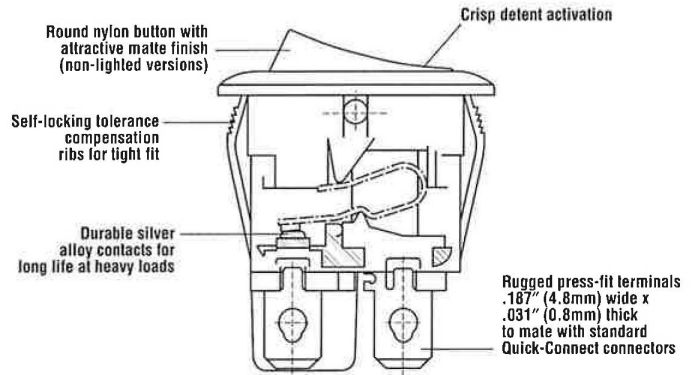


Double-Pole Round Rocker Switch

RR Series



Features

- Single Pole and Double pole configurations
- Lighted and non-lighted options
- Industry standard cutout
- Mechanical life: min. 100,000 operations

Electrical Ratings				
Switch Series	EN61058 Rating	UL1054 Rating	Electrical Life at Rated Load	
			According to VDE (Min. Operations)	According to UL (Min. Operations)
RR	10(4)A, 250V~ T125/55	10A 125VAC 1/4HP 8A 250VAC 1/4HP	10,000	6,000

Electrical Specifications		Material Specifications	
Ratings:	10A, 125VAC 1/4HP 8A 250VAC 1/4HP; (cULus) 10(4)A, 250V~ T125/55 (VDE)	Actuator:	Nylon 66 94V-2
Dielectric Strength:	1000VAC for 1 minute	Base:	Nylon 66 94V-2
Insulation Resistance:	100M ohms min at 500VDC	Spring:	Steel Wire
Initial Contact Resistance:	0.020 ohms max	Contacts:	Silver Alloy
Temperature Range:	-20°C to + 65°C	Movable Arm:	Copper Alloy
		Terminals:	Tin-Plated Copper Alloy



RoHS Compliant
UL File No: E23301

Specifications subject to change without notice.



Mouser Electronics

Authorized Distributor

Click to View Pricing, Inventory, Delivery & Lifecycle Information:

CHERRY:

[RRA22H3BBGLN](#) [RRA22H3DBBNN](#) [RRA22H3BBRHN](#) [RRA32H3BBRLN](#) [RRA22H3BBALN](#) [RRA22H3BBRLN](#)
[RRA22H3BBBNN](#) [RRA22H3FBRNN](#) [RRA32H3FBBNN](#) [RRA22H3BBRGN](#) [RRA22H3BWRNN](#)