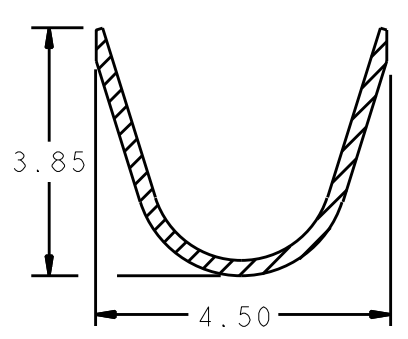
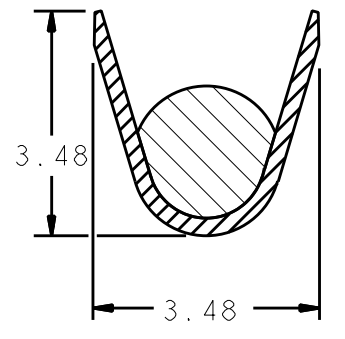


DRAWING REVISIONS (RELEASE DATE ON FILE)			
REV	DOCUMENT	APP	APPROVAL DATE
J	PER C.O. # 988	V.R.	04/21/10

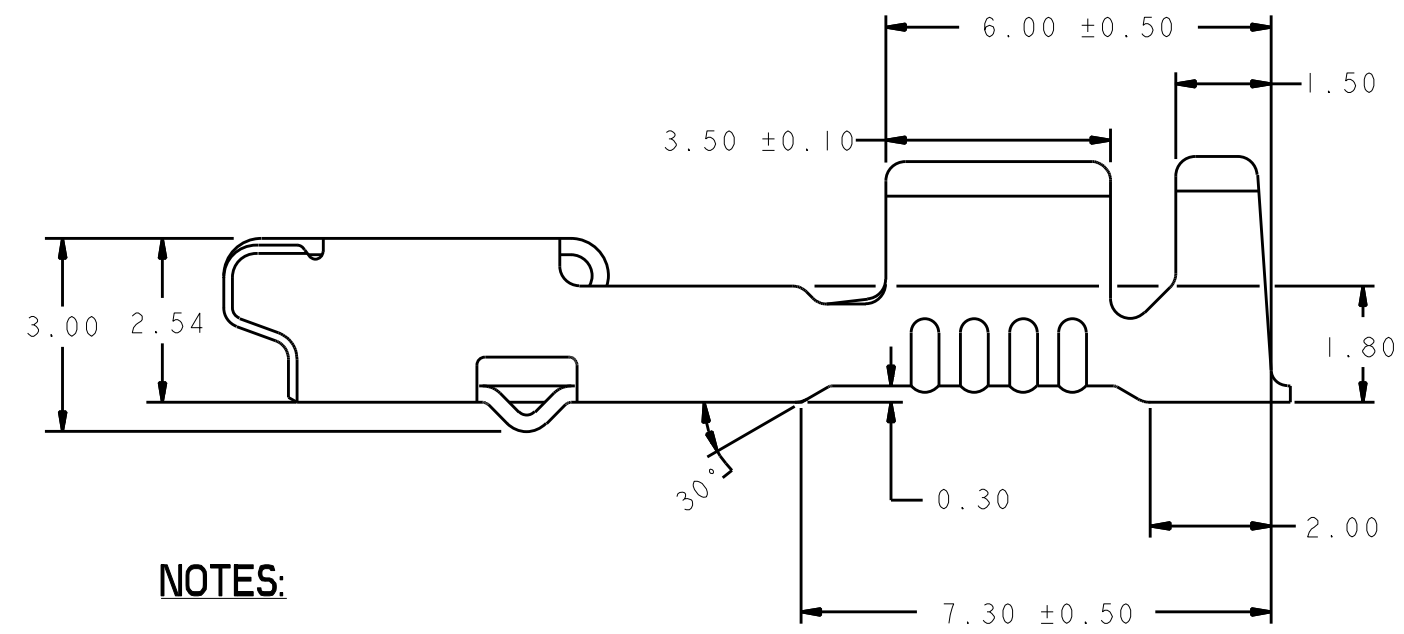
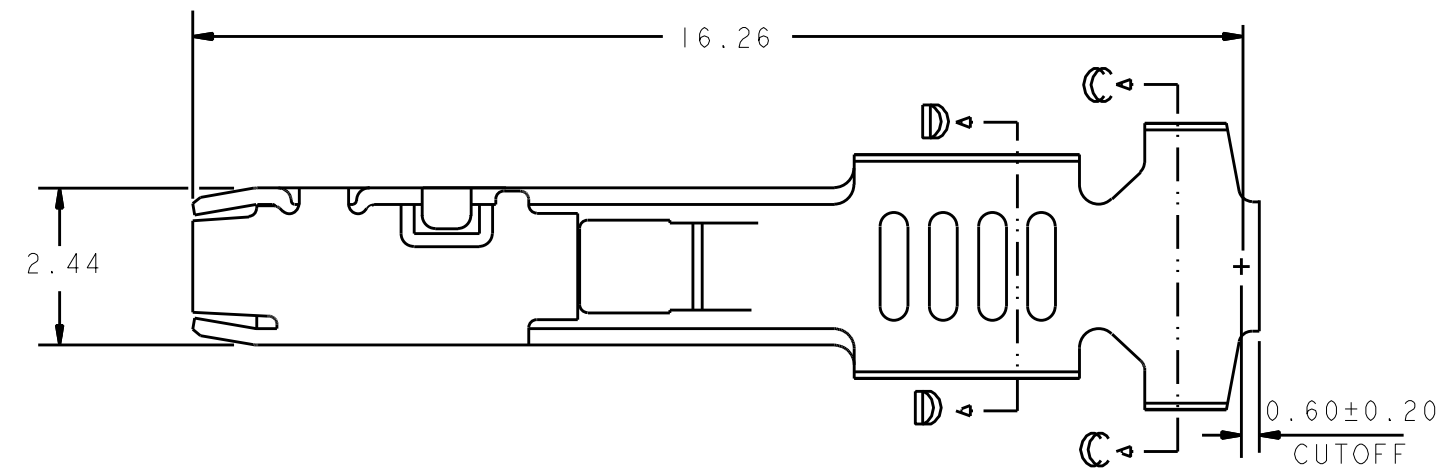
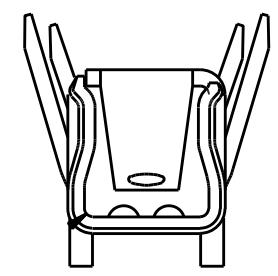


SECTION C-C



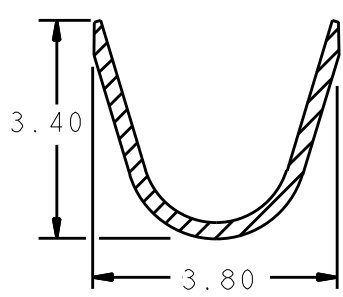
SECTION D-D

P/N 4250000873

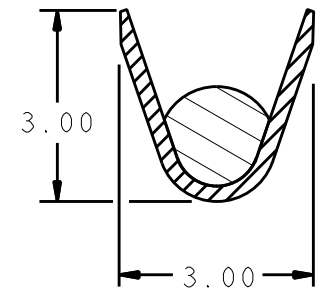


**NOTES:**

1. TERMINAL MATERIAL: HIGH PERFORMANCE COPPER BASED ALLOY.
2. TERMINAL PRE-PLATED 1.0 MIN MICRON THICKNESS 100% TIN (Sn) OVERALL.
3. TERMINALS SUPPLIED 3,500 EA. PER REEL.
4. TOLERANCES UNLESS OTHERWISE NOTED:  
X.X ± 0.5  
X.XX ± 0.30
5. ALL DIMENSIONS IN MM UNLESS OTHERWISE SPECIFIED.



SECTION C-C

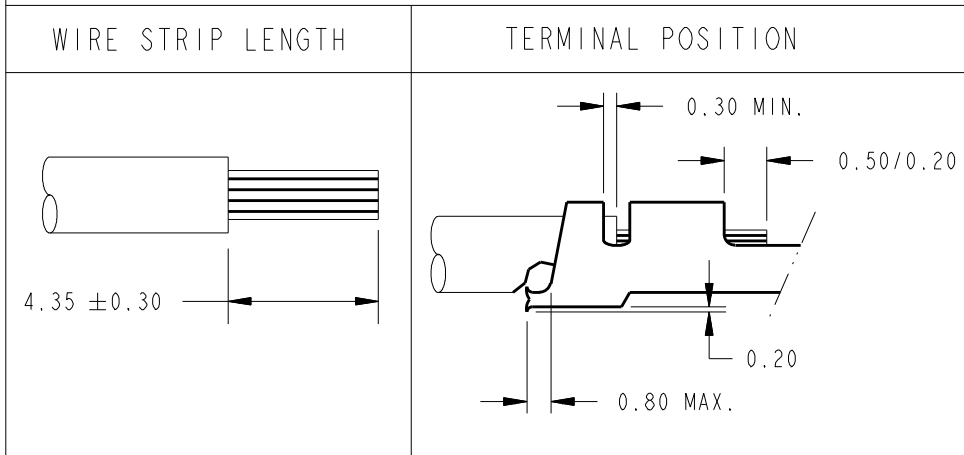


SECTION D-D

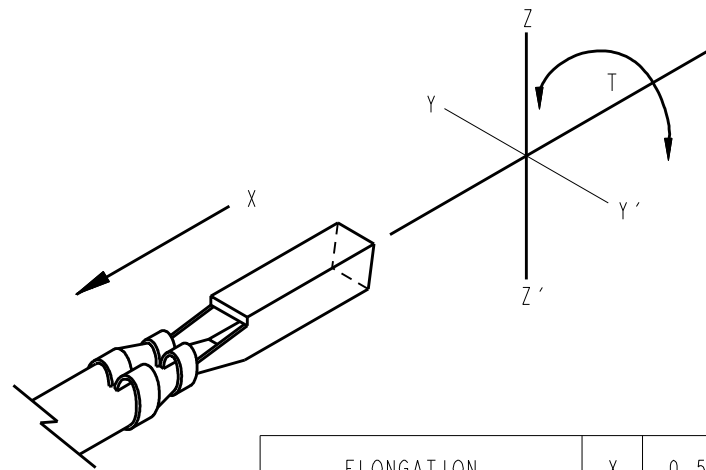
P/N 4250000872

UNITS <b>METRIC</b>		<b>PRO/E</b>		<b>CINCH</b>		MODELED BY: NAME			
DO NOT SCALE DRAWING		DESIGN ENGINEER <b>R. BYCZEK</b>	DATE <b>12/21/99</b>	TITLE <b>FEMALE TERMINAL BIR 16/20 AWG UNIVERSAL</b>		1700 FINLEY RD LOMBARD, IL 60148			
UNLESS OTHERWISE SPECIFIED: ALL DIMENSIONS ARE IN mm		APPROVALS ON FILE		MATERIAL <b>SEE NOTES</b>		CONTROL SPEC NUMBER -			
FILLET/RADIUS 0.50 MAX.				MATERIAL SPEC NUMBER -		FINISH <b>SEE NOTES</b>		PROJECT NUMBER <b>A14243</b>	
TOLERANCES X ± 0.3 XX ± 0.13 XXX ± 0.025 ANGULAR ± 0.5				CAD FILE NUMBER <b>4250000872S</b>		DRAWING NUMBER <b>4250000872S</b>			
CONFIDENTIAL THIS DOCUMENT IS THE PROPERTY OF CINCH. NEITHER THIS DOCUMENT NOR ANY OF THE INFORMATION CONTAINED IN IT MAY BE DUPLICATED OR DISCLOSED WITHOUT PRIOR WRITTEN CONSENT OF CINCH. ©COPYRIGHT 2010 CINCH		CAGE IDENT NO. <b>71785</b>	SIZE <b>B</b>	SCALE <b>1:1</b>	SHEET 1 OF 2				

# STRIP AND CRIMP SPECIFICATIONS



## DIMENSIONS AFTER CRIMPING

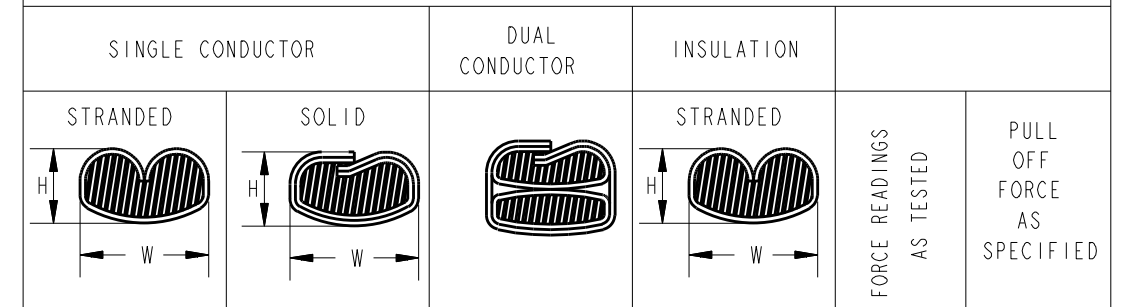


ELONGATION	X	0.50 MAX.
DEFORMATION	Y	3° MAX.
DEFORMATION	Y'	3° MAX.
FLEX	Z	2° MAX.
FLEX	Z'	3° MAX.
TORSION	T	3° MAX.

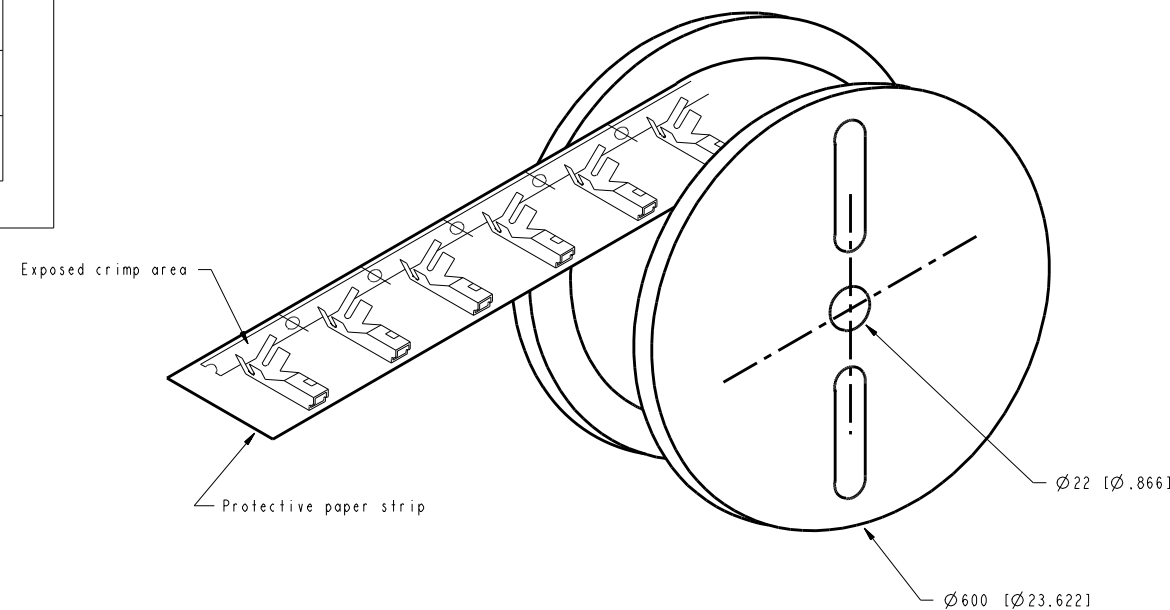
### NOTES:

- ALL DIMENSIONS IN MILLIMETERS, EXCEPT WHEN SHOWN IN PARENTHESES "( )", DIMS ARE IN INCHES.
- ALL FORCES: POUNDS
- CONTACT PART NUMBER: 4250000872/873
- NO WARRANTY OR GUARANTEE EXPRESSED OR IMPLIED IS MADE REGARDING THE INFORMATION PRESENTED HEREIN. IT IS, HOWEVER, TRUE AND ACCURATE TO THE BEST OF OUR KNOWLEDGE.
- PRODUCT NOT RATED FOR 14 AWG AMPERAGE (10+ AMPS), HOWEVER CAN BE USED FOR VOLTAGE DROP ONLY.

## CRIMP DIMENSIONS



WIRE						CRIMP DIMENSIONS										
WIRE TYPE			INSULATION			TERMINAL PART NUMBER	SINGLE CONDUCTOR		DUAL CONDUCTOR		INSULATION		FORCE READINGS AS TESTED		PULL OFF FORCE AS SPECIFIED	
mm <sup>2</sup>	AWG	NUMBER OF STRANDS	TYPE	MAX. DIA.	MIN. DIA.		H	W	H	W	H	W	AVG.	MIN.		MIN.
.5	20	7	GXL	2.11 (.083)	2.03 (.080)	425 00 00 872	1.10	2.04			2.50	2.58	37	36	14.8	
.5	20	19	GXL	2.34 (.092)	2.18 (.086)	425 00 00 872	1.10	2.04			2.40	2.55				
.8	18	19	TXL	2.12 (.083)	1.96 (.077)	425 00 00 872	1.20	2.05			2.45	2.55				
.8	18	19	GXL	2.42 (.095)	2.26 (.089)	425 00 00 873	1.20	2.23			2.55	2.82	49	47	19.8	
.8	18	16	TXL	2.12 (.083)	1.96 (.077)	425 00 00 872	1.18	2.05			2.35	2.50				
.8	18	16	GXL	2.42 (.095)	2.26 (.089)	425 00 00 873	1.18	2.23			2.45	2.80	43	37	19.8	
1.0	16	19	TXL	2.25 (.089)	2.09 (.082)	425 00 00 873	1.30	2.26			2.55	2.88				
1.0	16	19	GXL	2.64 (.104)	2.48 (.098)	425 00 00 873	1.30	2.26			2.58	2.88	62	58	27.0	
⑤ 2.0	14	19	TXL	2.66 (.105)	2.50 (.098)	425 00 00 873	1.58	2.29			2.60	2.94		62		



UNITS	<b>METRIC</b>	<b>CINCH</b>	1700 FINLEY RD LOMBARD, IL. 60148
DO NOT SCALE DRAWING		TITLE	
UNLESS OTHERWISE SPECIFIED: ALL DIMENSIONS ARE IN mm		FEMALE TERMINAL BIR 16/20 AWG UNIVERSAL	
Fillet/Radii 0.50 MAX.		<b>PRO/E DRAWING</b>	
TOLERANCES X ± 0.3 XX ± 0.13 XXX ± 0.025 ANGULAR ± 0.5°		CAD FILE NUMBER 4250000872S	DRAWING NUMBER 4250000872S
CONFIDENTIAL THIS DOCUMENT IS THE PROPERTY OF CINCH. NEITHER THIS DOCUMENT NOR ANY OF THE INFORMATION CONTAINED IN IT MAY BE DUPLICATED OR DISCLOSED WITHOUT PRIOR WRITTEN CONSENT OF CINCH. ©COPYRIGHT 2010 CINCH		CAGE IDENT NO. 71785	REV J
		SCALE 1:250	SHEET 2 OF 2

# Mouser Electronics

Authorized Distributor

Click to View Pricing, Inventory, Delivery & Lifecycle Information:

[Cinch Connectivity Solutions:](#)

[425-00-00-873](#)