

4

3

2

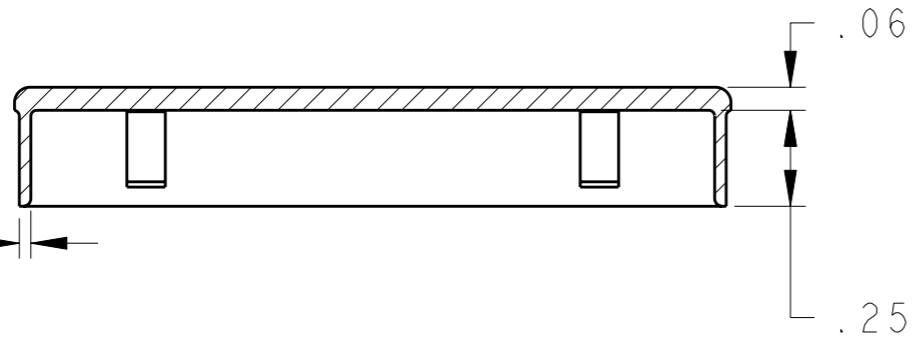
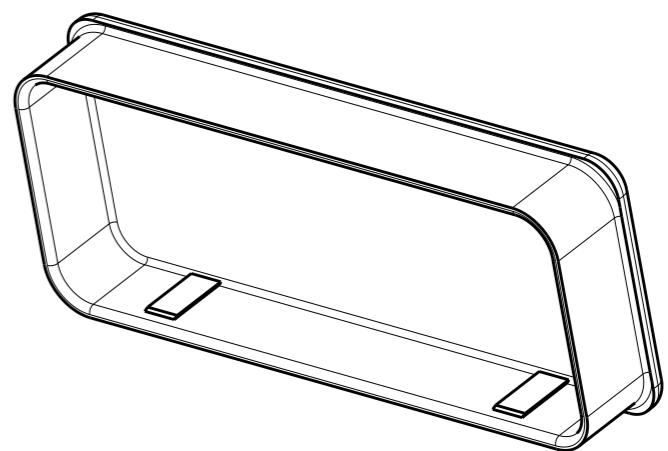
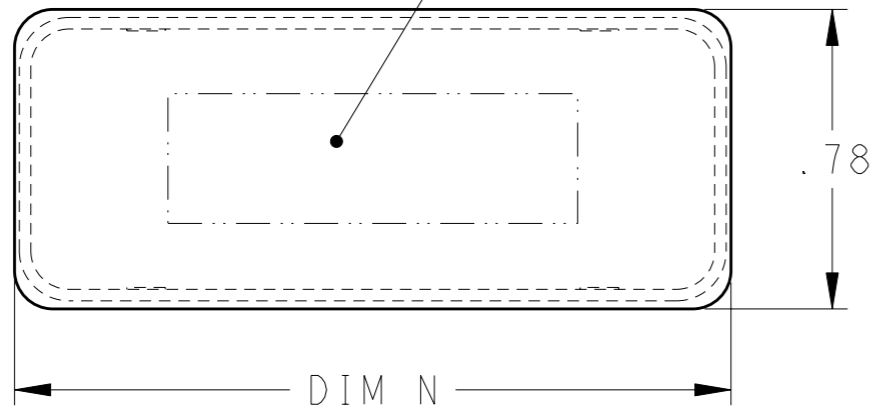
1

THIS DRAWING IS UNPUBLISHED. RELEASED FOR PUBLICATION

© COPYRIGHT - BY TYCO ELECTRONICS CORPORATION. ALL RIGHTS RESERVED.

LOC	DIST	REVISIONS				
P	LTR	DESCRIPTION	DATE	DWN	APVD	
-	-	A	RELEASED	1-5-09	CT	DM

MANUFACTURERS NAME AND PART NUMBER



1.86	6 POSN	1604997-3
1.31	2 POSN	1604997-2
2.96	12 POSN	1604997-1
DIM N	USED ON	PART NUMBER

1 MATL: CONDUCTIVE THERMOPLASTIC

<small>THIS DRAWING IS A CONTROLLED DOCUMENT FOR TYCO ELECTRONICS CORPORATION IT IS SUBJECT TO CHANGE AND THE CONTROLLING ENGINEERING ORGANIZATION SHOULD BE CONTACTED FOR THE LATEST REVISION.</small>		DWN C.C. THOMAS 1-5-09 CHK D. MILLER 05JAN2010 APVD D. MILLER 05JAN2010	Tyco Electronics Harrisburg, PA 17105-3608
DIMENSIONS: INCHES	TOLERANCES UNLESS OTHERWISE SPECIFIED: 0 PLC ±. 1 PLC ±.1 2 PLC ±.01 3 PLC ±.005 4 PLC ±.0020 ANGLES ±1	PRODUCT SPEC - APPLICATION SPEC - WEIGHT -	NAME COVER, DUST, ESD, PLUG, QUADRAX RECTANGULAR
MATERIAL 	FINISH -	SIZE A3 CAGE CODE 00779 DRAWING NO C-1604997	RESTRICTED TO -
CUSTOMER DRAWING		SCALE 2:1	SHEET 1 OF 1 REV A

Mouser Electronics

Authorized Distributor

Click to View Pricing, Inventory, Delivery & Lifecycle Information:

[TE Connectivity:](#)

[1604997-2](#)