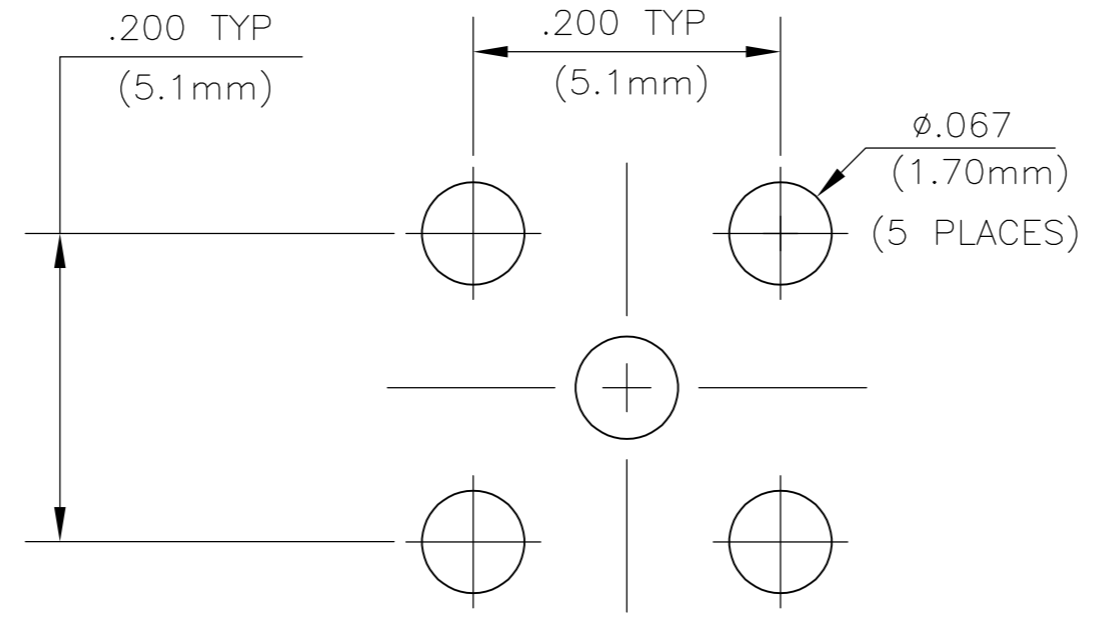
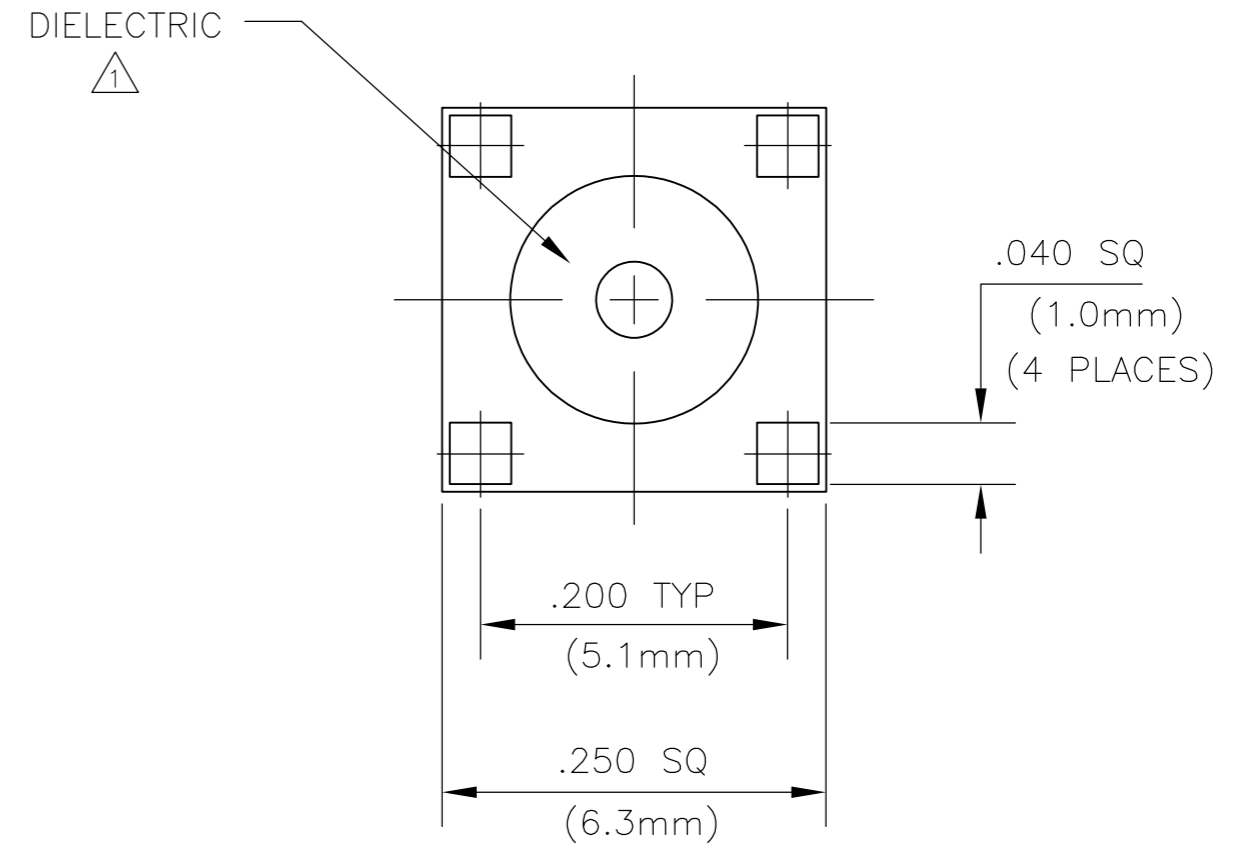
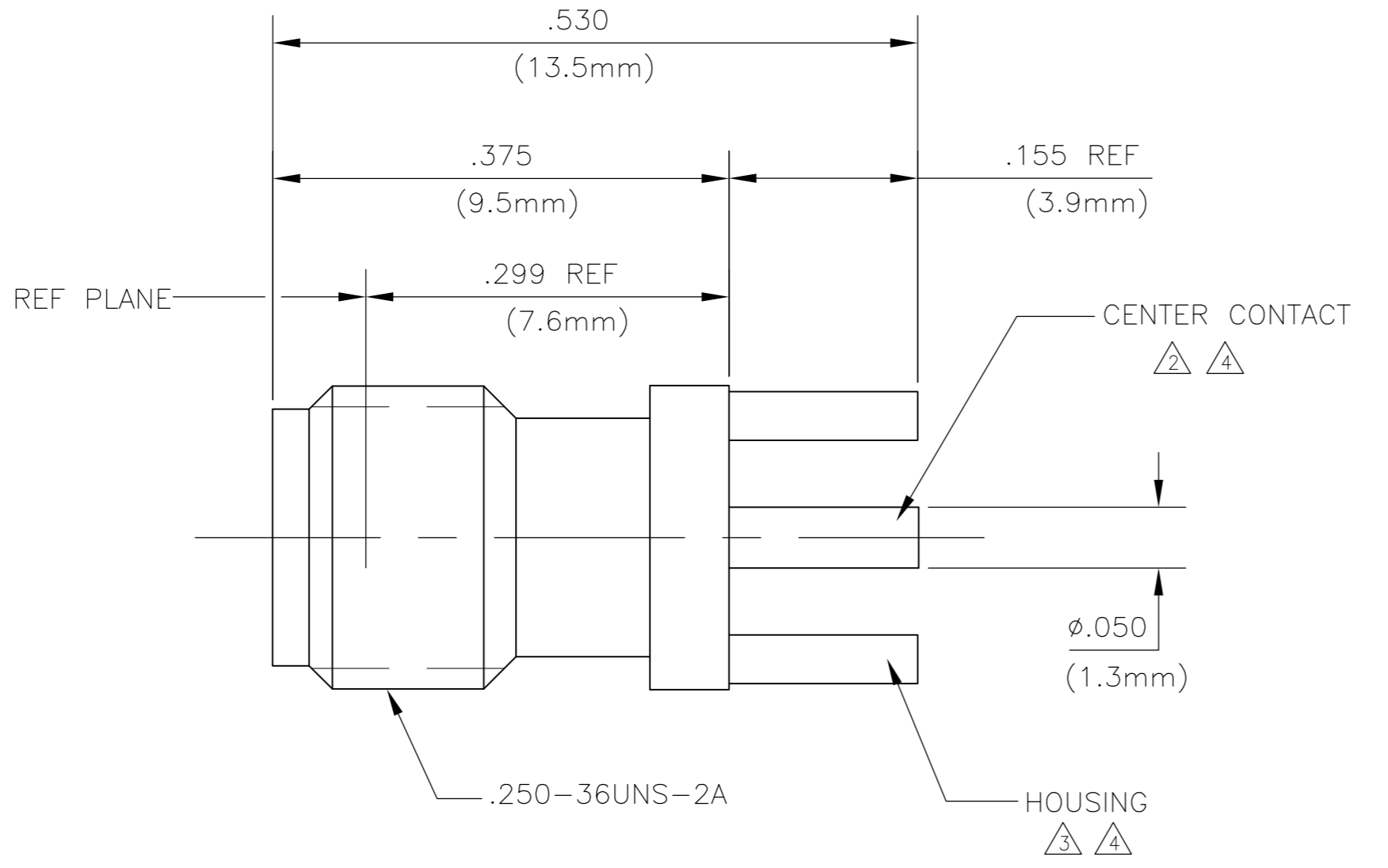


THIS DRAWING IS UNPUBLISHED. RELEASED FOR PUBLICATION
 © COPYRIGHT - By - ALL RIGHTS RESERVED.

LOC	DIST	REVISIONS					
AJ	16	P	LTR	DESCRIPTION	DATE	DWN	APVD
		B		ECO-11-005980	9MAY2011	BL	MY



- ▲ PTFE
- ▲ BERYLLIUM COPPER
- ▲ STAINLESS STEEL
- ▲ GOLD PLATE

RECOMMENDED PCB LAYOUT

1053354-1
 PART NUMBER

THIS DRAWING IS A CONTROLLED DOCUMENT.		DWN	BING LIU	9MAY2011	TE TE Connectivity																	
DIMENSIONS: INCHES		CHK	ANSON MA	9MAY2011																		
TOLERANCES UNLESS OTHERWISE SPECIFIED:		APVD	MARTIN YE	9MAY2011																		
<table border="1"> <tr><td>0 PLC</td><td>±</td><td>-</td></tr> <tr><td>1 PLC</td><td>±</td><td>-</td></tr> <tr><td>2 PLC</td><td>±</td><td>-</td></tr> <tr><td>3 PLC</td><td>±</td><td>.005</td></tr> <tr><td>4 PLC</td><td>±</td><td>-</td></tr> <tr><td>ANGLES</td><td>±</td><td>-</td></tr> </table>		0 PLC	±	-		1 PLC	±	-	2 PLC	±	-	3 PLC	±	.005	4 PLC	±	-	ANGLES	±	-	NAME	ASSEMBLY, JACK SMA
0 PLC	±	-																				
1 PLC	±	-																				
2 PLC	±	-																				
3 PLC	±	.005																				
4 PLC	±	-																				
ANGLES	±	-																				
MATERIAL	2	FINISH	4	WEIGHT	-	SIZE	A2	CAGE CODE	00779	DRAWING NO	C=1053354	RESTRICTED TO	-									
RESTRICTED CUSTOMER										SCALE	8:1	SHEET	1 of 1	REV	B							

1053354

Mouser Electronics

Authorized Distributor

Click to View Pricing, Inventory, Delivery & Lifecycle Information:

[TE Connectivity:](#)

[2062-0000-00](#)