

CXA-P1012-NJL

Non-dimming/Connector Type

■ Features

- 2-output
- Applicable panel size*: 5 to 12 inches
(Notice) Applicable panel size becomes a standard.

■ Applications



CXA-P1012-NJL Specifications (Please refer to each specification before use)

Electrical Characteristics

Item	Unit	Symbol	Specification			Condition			Remark
			min	typ	max	Vin(V)	Ta(°C)	RL(kΩ)	
Output Current	mA	Iout	4.5	5	5.5	12±0.12	23±5	120	
			4	5	6	12±0.6	-10 to +60	110 to 130	
Input Current	A	Iin	-	0.62	0.90	12±0.6	-10 to +60	110 to 130	
Frequency	kHz	Freq	30	37	44	12±0.6	-10 to +60	110 to 130	
Open Circuit Voltage	Vrms	Vopen	1400	1500	-	12min.	-10 to +60	∞	Open load

Other Specifications

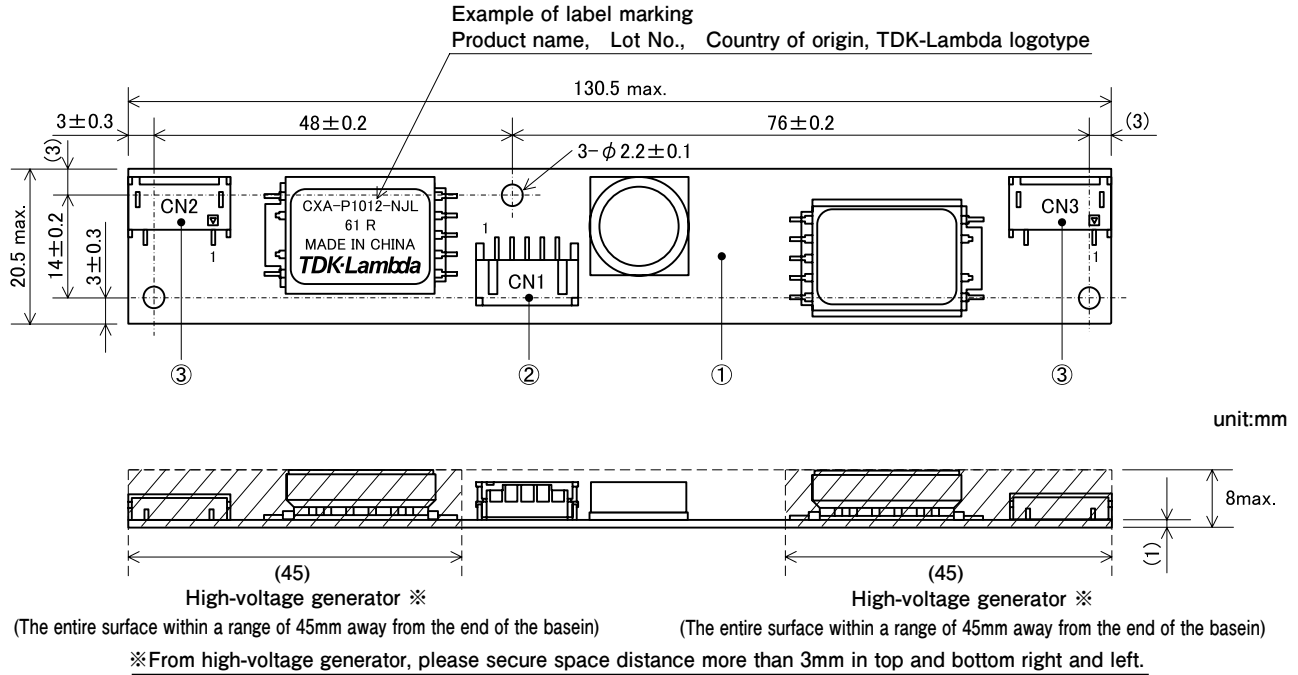
Dimming Function		No
Operating Temperature	°C	-10 to +60
Storage Temperature	°C	-30 to +85
Operating Humidity Ratio	RH%	95Max
Safety Standard		—
Weight	g	21
Dimensions(WxDxH)	mm	130.5x20.5x8 (*1)
Fused Input		Yes
Remote ON / OFF		No
Alarm Signal Function		No
Shutdown Function		No
Silicone Coating on High Voltage Area		No

(*1) These dimensions are indicated the maximum.

■ Conformity to RoHS Directive

This means that, in conformity with EU Directive 2002/95/EC, lead, cadmium, mercury, hexavalent chromium, and specific bromine-based flame retardants, PBB and PBDE, have not been used, except for exempted applications.

Outline Drawing



Connector

Connector number	Part number	Model/Material	Quantity	Remarks	Recommended applicable connector
①	Printed circuit board PCB	Composite (CEM-3)	1	UL94V-0 t=1.0	—
②	Input connector CN1	S5B-PH-SM4-TB(LF)(SN)	1	JST Mfg. Co., Ltd.	PHR-5
③	Output connector CN2,CN3	SMO2 (8.0) B-BHS-1-TB (LF)(SN)	2	JST Mfg. Co., Ltd.	BHR-03VS-1

Terminal Numbers And Functions

Input side CN1

Terminal number	Symbol	Rated voltage
CN1-1	V _{in}	12V
CN1-2	GND	0V
CN1-3		
CN1-4	N.C.	—
CN1-5		

Output side CN2

Terminal number	Symbol	Rated voltage
CN2-1	V _{HIGH1}	750Vrms
CN2-2	N.C.	—
CN2-3	V _{LOW1}	750Vrms

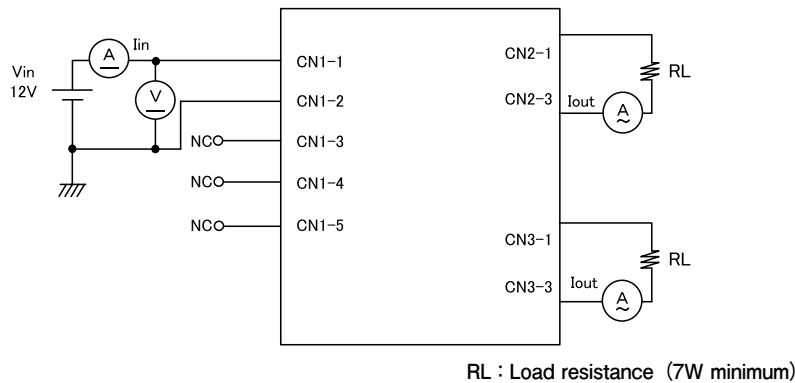
The output is floating.
Both CN2-1 and CN2-3 become high voltage.

Output side CN3

Terminal number	Symbol	Rated voltage
CN3-1	V _{HIGH2}	750Vrms
CN3-2	N.C.	—
CN3-3	V _{LOW2}	750Vrms

The output is floating.
Both CN3-1 and CN3-3 become high voltage.

Connections



Mouser Electronics

Authorized Distributor

Click to View Pricing, Inventory, Delivery & Lifecycle Information:

[TDK:](#)

[CXA-P1012-NJL](#)