

**RDS100-24**

SPECIFICATIONS

B029-01-01D

| ITEMS |                              | MODEL | RDS100-24-5   | RDS100-24-12 | RDS100-24-15 | RDS100-24-24 |
|-------|------------------------------|-------|---|--------------|--------------|--------------|
| 1     | Nominal Output Voltage       | V     | 5   | 12           | 15           | 24           |
| 2     | Maximum Output Current       | A     | 20  | 8.3          | 6.6          | 4.2          |
| 3     | Maximum Output Power         | W     | 100   | 99.6         | 99           | 100.8        |
| 4     | Efficiency (Typ) (*1)        | %     | 78  | 79           |              | 80           |
| 5     | Input Voltage Range          | -     | 18 - 32VDC  |              |              |              |
| 6     | Input Current (Typ) (*1)     | A     | 5.4   |              |              |              |
| 7     | Inrush Current (Typ) (*1)    | -     | 4.7A at Cold Start  |              |              |              |
| 8     | Output Voltage Range (*8)    | V     | 4.0 - 6.0   | 9.6 - 14.4   | 12.0 - 18.0  | 19.2 - 28.8  |
| 9     | Maximum Ripple (*2)          | mV    | 50  | 80           | 80           | 100          |
| 10    | Maximum Ripple & Noise (*2)  | mV    | 100   | 170          | 200          | 290          |
| 11    | Maximum Line Regulation (*3) | mV    | 40  | 96           | 120          | 192          |
| 12    | Maximum Load Regulation (*4) | mV    | 50  | 100          | 100          | 200          |
| 13    | Temperature Coefficient      | -     | Less than 0.02 %/°C   |              |              |              |
| 14    | Over Current Protection (*5) | A     | 22 - 24   | 9.3 - 9.9    | 7.4 - 7.9    | 4.7 - 5.1    |
| 15    | Over Voltage Protection (*6) | V     | 6.2 - 7.5   | 15.0 - 18.0  | 18.5 - 22.5  | 29.5 - 36.0  |
| 16    | Remote ON/OFF control        | -     | Possible  |              |              |              |
| 17    | Parallel Operation           | -     | -   |              |              |              |
| 18    | Series Operation             | -     | Possible  |              |              |              |
| 19    | Operating Temperature (*7)   | -     | -20 - +60°C (-20 - +50°C:100%, +60°C:70%)   |              |              |              |
| 20    | Operating Humidity           | -     | 20 - 95%RH (No Condensing)  |              |              |              |
| 21    | Storage Temperature          | -     | -25 - +75°C   |              |              |              |
| 22    | Storage Humidity             | -     | 20 - 95%RH (No Condensing)  |              |              |              |
| 23    | Cooling                      | -     | Convection Cooling  |              |              |              |
| 24    | Withstand Voltage            | -     | I/P - O/P, I/P - FG : 2kVAC (10mA) for 1min.,<br>O/P - CNT(RC) : 100VAC (100mA) for 1min. |              |              |              |
| 25    | Isolation Resistance         | -     | O/P - FG : 500VDC 100Mohm, O/P - CNT(RC) : 100VDC 10Mohm                                  |              |              |              |
| 26    | Vibration                    | -     | 10 - 55Hz : 19.6m/s <sup>2</sup> , X,Y,Z 1hour each.<br>Designed to meet JIS E 3014-2-B   |              |              |              |
| 27    | Shock                        | -     | 294m/s <sup>2</sup> (time : 6 ± 3ms)<br>Designed to meet JIS E 3015-2-B                   |              |              |              |
| 28    | Safety                       | -     | Approved by UL60950-1 & CSA60950-1,<br>Designed to meet EN60950-1                         |              |              |              |
| 29    | Conducted Emission           | -     | Designed to meet EN55011/EN55022-A, FCC-ClassA, VCCI-A                                    |              |              |              |
| 30    | Radiated Emission            | -     | Designed to meet EN55011/EN55022-A, FCC-ClassA, VCCI-A                                    |              |              |              |
| 31    | Immunity                     | -     | Designed to meet IEC61000-4-2(Level 2,3), -4(Level 3), -8(Level 4)                        |              |              |              |
| 32    | Weight (Typ)                 | g     | 850   |              |              |              |
| 33    | Size (W x H x D)             | mm    | 60 x 95 x 220 ( Refer to Outline Drawing )  |              |              |              |

\*Read instruction manual carefully, before using the power supply unit.

=NOTES=

- \*1. At 24VDC, Ta=25°C, nominal output voltage and maximum output power.
- \*2. Measure with JEITA RC-9131A probe, Bandwidth of scope :100MHz.
- \*3. 18 - 32VDC, constant load.
- \*4. No load-Full load, constant input voltage.
- \*5. OCP TYPE : Constant current limit with automatic recovery.
- \*6. OVP circuit will shut the output down, manual reset (Re power on).
- \*7. Ratings
  - Derating at standard mounting. Refer to output derating curve(B029-01-02\_).
  - Load (%) is percent of maximum output power or maximum output current, whichever is greater.
- \*8. At 24VDC Input.(Refer to instruction manual.)

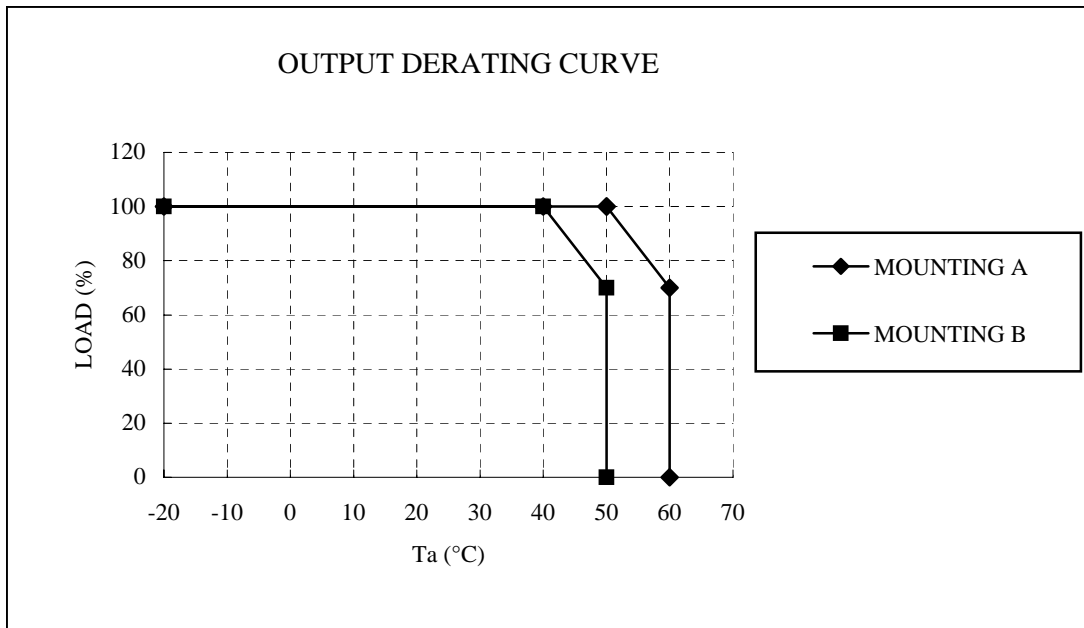
**RDS100-24**

OUTPUT DERATING

B029-01-02A

\*COOLING : CONVECTION COOLING

| Ta (°C)   | LOAD (%)   |            |
|-----------|------------|------------|
|           | MOUNTING A | MOUNTING B |
| -20 - +40 | 100        | 100        |
| 50        | 100        | 70         |
| 60        | 70         | -          |



DON'T USE

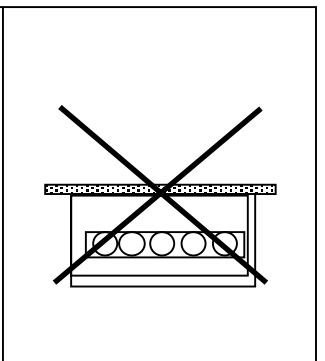
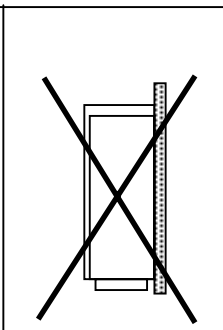
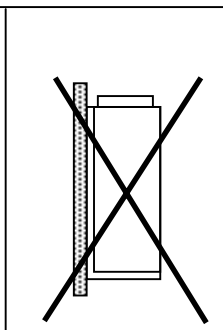
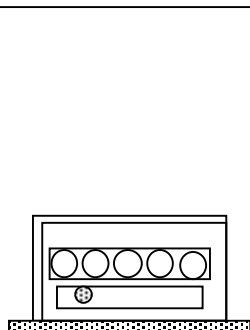
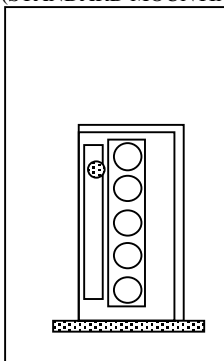
**MOUNTING A**  
(STANDARD MOUNTING)

**MOUNTING B**

**MOUNTING C**

**MOUNTING D**

**MOUNTING E**



# Mouser Electronics

Authorized Distributor

Click to View Pricing, Inventory, Delivery & Lifecycle Information:

[TDK-Lambda:](#)

[RDS1002412](#)