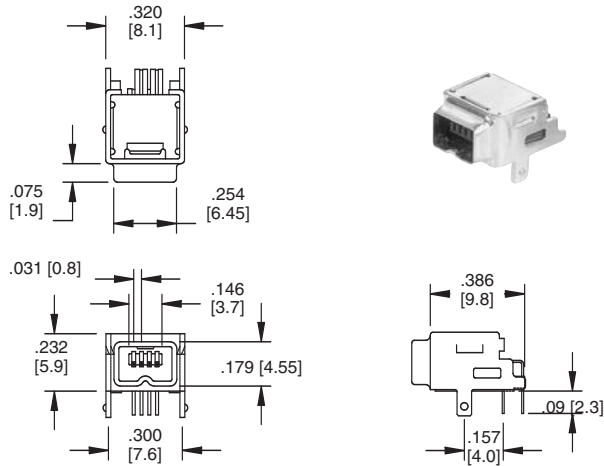
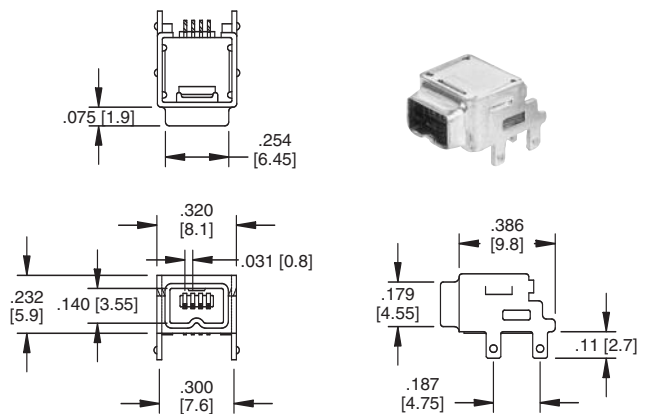


**MFW-C-S-RA-1**



**Recommended PCB Layout**

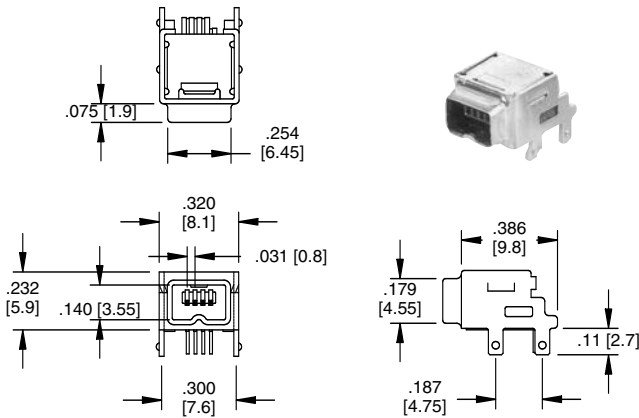
**MFW-C-S-RA-SMT-2**



**Recommended PCB Layout**

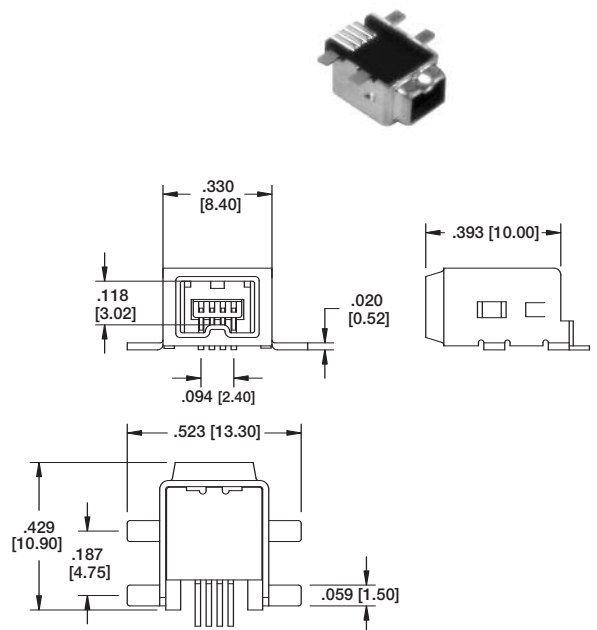
**Reverse PCB Pinout**

**MFW-C-S-RA-2**

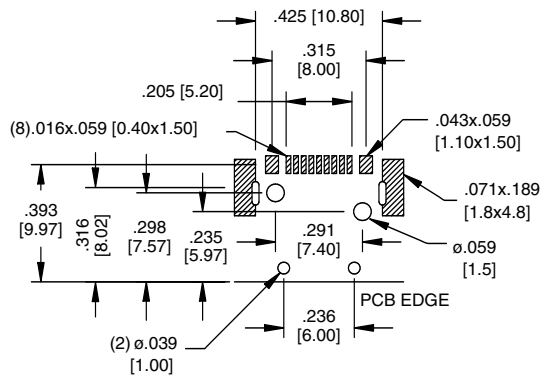
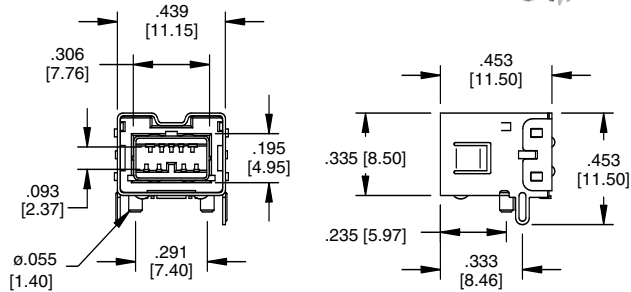


**Recommended PCB Layout**

**MFW-C-S-RA-TSMT**

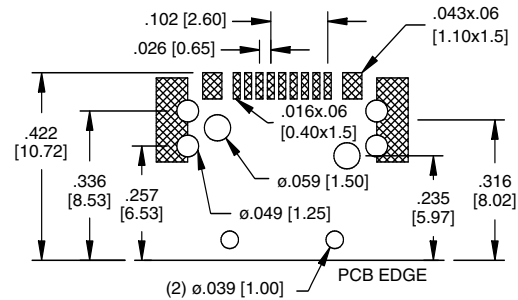
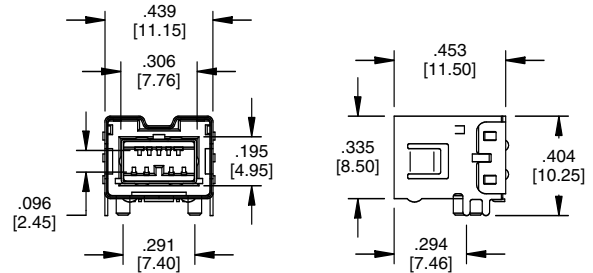


#### MFW-D-S-RA-SMT-1



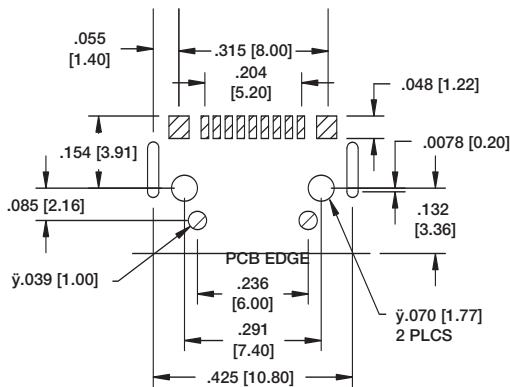
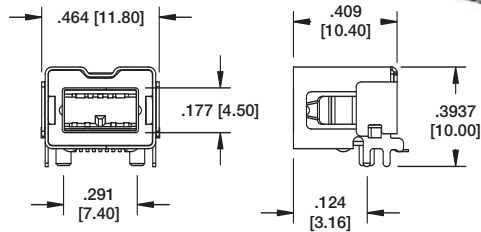
Recommended PCB Layout

#### MFW-D-S-RA-SMT-2



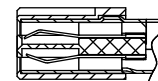
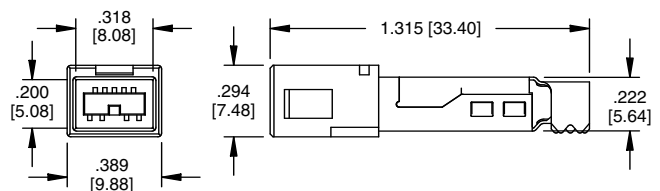
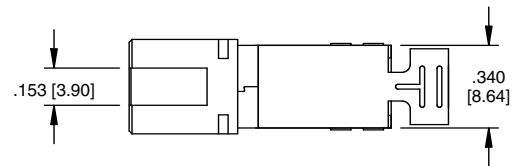
Recommended PCB Layout

#### MFW-D-S-RA-SMT-2A



Recommended PCB Layout  
(Bilingual)

#### MFW-P-S-S



# Mouser Electronics

Authorized Distributor

Click to View Pricing, Inventory, Delivery & Lifecycle Information:

[ADAM TECH:](#)

[MFW-D-S-RA-SMT-2](#)