

3 PIN 4 PIN 5 PIN 6 PIN 7 PIN

CONTACTS AS VIEWED FACING FEMALE CONECTOR

AAA F Z

SERIES: Q-G° CONNECTOR

# OF CONTACT SOCKETS: 3, 4, 5, 6 OR 7

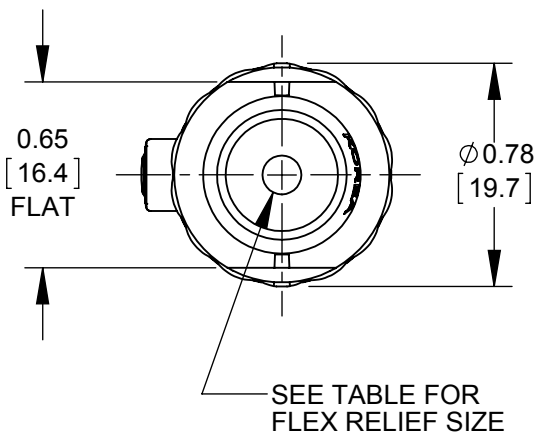
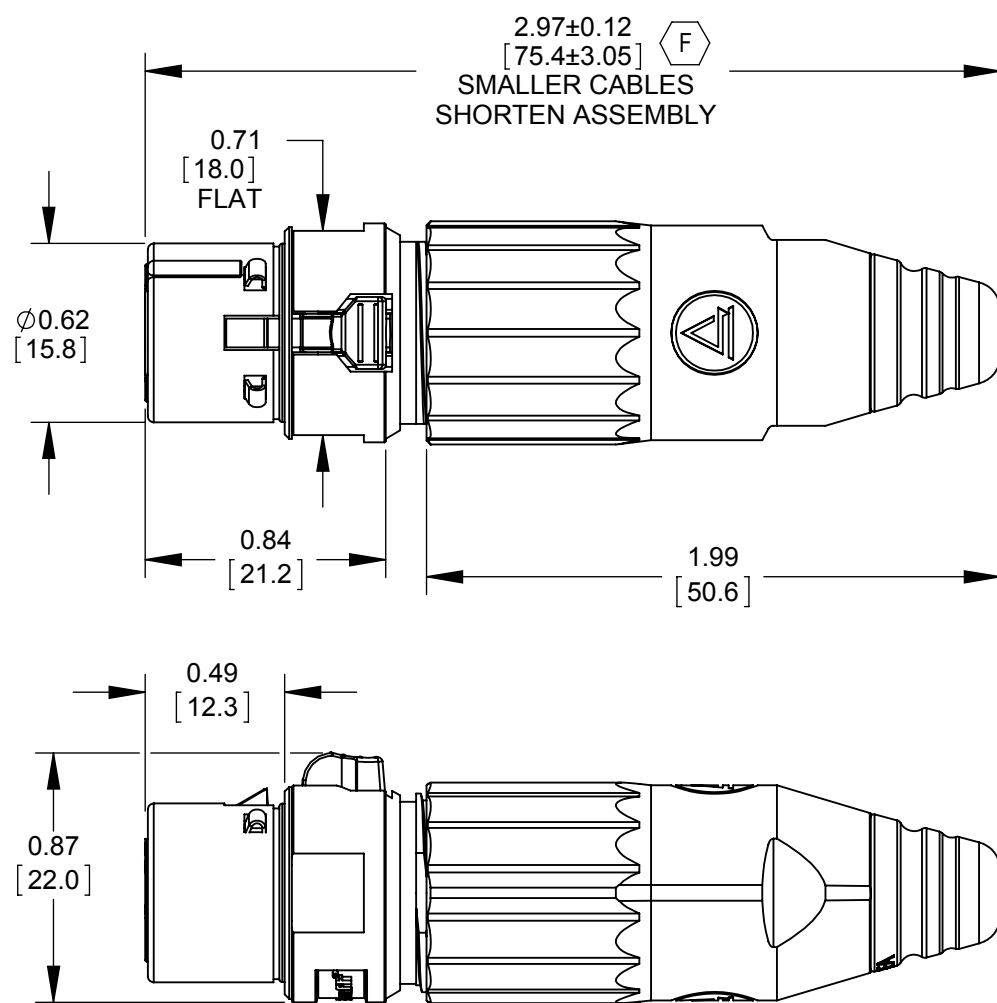
GENDER: FEMALE

HANDLE STYLE: BLANK - METAL HANDLE (SEE FINISH BELOW)  
P - PLASTIC HANDLE, BLACK

FINISH: BLANK - NICKEL HANDLE & CONNECTOR, WITH BLACK FLEX RELIEF & GREEN INSERT  
B - BLACK HANDLE & CONNECTOR, WITH BLACK FLEX RELIEF & BLACK INSERT  
W - WHITE HANDLE & NICKEL FINISH CONNECTOR WITH WHITE FLEX RELIEF & GREEN INSERT (G)

CONTACT SOCKET PLATING: BLANK - SILVER  
AU - GOLD

FLEX RELIEF STYLE: BLANK - FLEX RELIEF I.D. 0.135 [3.4mm] RECOMMENDED CABLE O.D. 0.100 - 0.220 [2.5mm - 5.6mm]  
L - FLEX RELIEF I.D. 0.225 [5.7mm] RECOMMENDED CABLE O.D. 0.220 - 0.285 [5.6mm - 7.2mm] (F)



CUSTOMER DRAWING

NOTES:

- CONNECTORS AND HANDLES ARE SHIPPED SIDE BY SIDE OR IN BULK.
- MATERIALS:
  - (F) HANDLE METAL - ZINC ALLOY, NICKEL PLATED OR BLACK OR WHITE PAINTED
  - HANDLE PLASTIC - THERMOPLASTIC, BLACK
  - CABLE CLAMP - THERMOPLASTIC, BLACK
  - FLEX RELIEF - THERMOPLASTIC, BLACK OR WHITE
  - HOUSING AND LATCH - ZINC ALLOY, NICKEL OR BLACK SATIN CHROME PLATED
  - INSULATOR - THERMOPLASTIC, GREEN OR BLACK
  - GROUND TERMINAL - SPECIAL COPPER ALLOY, TIN PLATED
  - CONTACT SOCKETS - SPECIAL COPPER ALLOY, SILVER OR GOLD PLATED
  - O-RING - THERMOPLASTIC RUBBER, BLACK
- THESE PRODUCTS ARE RoHS COMPLIANT.

REV	ECO NUMBER	DATE	BY	APVD
G	27473	03/27/15	PC	TJK
F	27081	01/25/13	BL	TJK
E	25891	9-9-08	SRC	TJK
D	25711	10-17-07	JGK	TJK
C	24940	3-11-05	JL	TJK
B	24552	10-13-03	JL	BRH
A	24446	8-12-03	JL	BRH
REVISIONS				

☆ STAR SYMBOL DENOTES CRITICAL DIMENSION

UNLESS OTHERWISE SPECIFIED

- ALL DIMENSIONS IN INCHES
  - TWO PLACE DECIMALS ±0.01
  - THREE PLACE DECIMALS ±0.005
  - ANGLES ±1°
  - ALL DIA. CONCENTRIC WITHIN 0.005 T.I.R.
- FEATURES ON THE SAME CENTERLINE MUST BE ALIGNED WITHIN ±0.002
- REMOVE ALL BURRS

DO NOT SCALE DRAWING

THIS DRAWING DESCRIBES A DESIGN CONSIDERED PROPRIETARY IN NATURE, DEVELOPED AND MANUFACTURED BY SWITCHCRAFT INC. AND IS RELEASED ON A CONFIDENTIAL BASIS FOR IDENTIFICATION PURPOSES ONLY.									
SIZE	WIDTH	MULT	LBS/M	TEMPER					
FINISH					MATERIAL				
SPEC No.					SPEC No.				
FIRST USED ON					SCALE 1.5:1				
DATE DRAWN	BY	CHKD	APVD	Switchcraft®					
03-07-03	BRH	BRH	BRH	SHEET 1 OF 1					
NAME			PART No.		REV				
FEMALE XLR CONNECTOR, RoHS			AAA_FZ SERIES		G				

# Mouser Electronics

Authorized Distributor

Click to View Pricing, Inventory, Delivery & Lifecycle Information:

## Switchcraft:

[AAA5FZ](#) [AAA4FZ](#) [AAA4MZ](#) [AAA6FZ](#) [AAA6MZ](#) [AAA3FPBZ](#) [AAA3MPZ](#) [AAA3MBAUZ](#) [AAA3FPZ](#) [AAA3MPBZ](#)  
[AAA3FZ](#) [AAA3MZ](#) [AAA3MBZ](#) [AAA3FBZ](#) [AAA3FBAUZ](#) [AAA3FBAUZPKG](#) [AAA3FBZPKG](#) [AAA3FPBZPKG](#)  
[AAA3FPZPKG](#) [AAA3MBAUZPKG](#) [AAA3MBZPKG](#) [AAA3MPBZPKG](#) [AAA4FBAUZ](#) [AAA4FBZ](#) [AAA4FPZ](#)  
[AAA4MBAUZ](#) [AAA4MBZ](#) [AAA4MPZ](#) [AAA5FBAUZ](#) [AAA5FBZ](#) [AAA5FPZ](#) [AAA5MBAUZ](#) [AAA5MBZ](#) [AAA5MPZ](#)  
[AAA5MZ](#) [AAA6FBAUZ](#) [AAA6FBZ](#) [AAA6FPZ](#) [AAA6MBAUZ](#) [AAA6MBZ](#) [AAA6MPZ](#) [AAA7FBAUZ](#) [AAA7FBZ](#)  
[AAA7FPZ](#) [AAA7FPZPKG](#) [AAA7FZ](#) [AAA7MBAUZ](#) [AAA7MBZ](#) [AAA7MPZ](#) [AAA7MPZPKG](#) [AAA7MZ](#) [AAAHBZ](#)  
[AAA6FZPKG](#) [AAA6MZPKG](#) [AAA5FWZ](#) [AAA3FWZ](#) [AAA4FWZ](#)