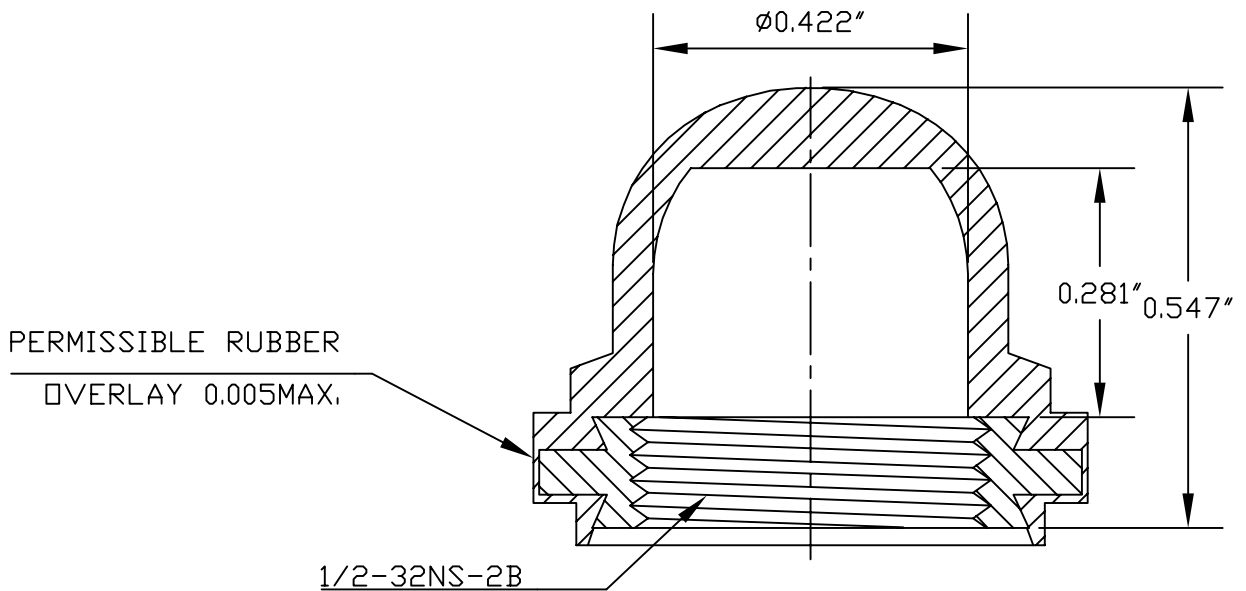
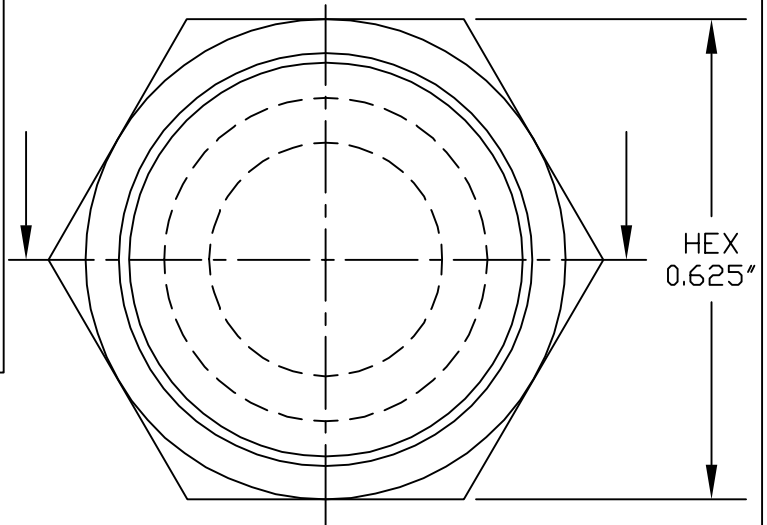


**SPECIFICATIONS**

**Material:** HEXSEALS: Silicone rubber conforms to A-A-59588 Class III, GR 60 unless otherwise specified.  
**Mounting Nut:** HEXSEALS: Brass, nickel-plated (unless otherwise noted)  
**Temperature Range:** HEXSEALS: -94°F to +400°F  
**Pressure Range:** Exceeds 15 psi internal and 1500 psi external.  
**Operational Life:** 50,000 actuations (minimum).  
**Shelf Life:** Excess of 25 years.  
**Resistant to:** Salt spray, sunlight, ozone, weather, fungus, and most acids and lubricating oils  
**Agency Recognition:** E-SEELS and HEXSEALS are UL-listed to UL Std. 50 types 1-13, and meet CSA standards.  
**Installation:** If a reducing adaptor is required - see page 14 of HEXSEAL catalog HEX200 for part numbers and drawing.



J	MAT'L CHANGED	S.GOK	07.30.09
I	CAD COMPUTER GENERATED		09.23.02
H	UPDATED, ADDED ORDER NUMBERS, DWG NO. WAS 12/31/SERIES	W.P.	11.24.76
G	UPDATED	R.C.	08.04.74
REV.	DESCRIPTION		DATE
MAXIMUM AND MINIMUM MEASUREMENTS ARE STATED DIRECTLY ON EACH DIMENSION.	TITLE: BOOT, PUSH BUTTON SWITCH (NH3030)	ENG.	M.MORSE 01.21.60
		DWN.	S.ANDREWS 01.21.60
		CHKD.	B.GLICKSMAN 01.21.60
MAT'L: SILICONE RUBBER A-A-59588 Class III, Gr.60	APM-HEXSEAL CORPORATION	SCALE	NH3030
FINISH: GRAY		4 : 1	HEXSEAL®

THIS DRAWING COVERS PROPRIETARY ITEM AND IS THE PROPERTY OF THE APM-HEXSEAL CORPORATION. THIS DRAWING IS NOT TO BE COPIED OR USED WITHOUT THE WRITTEN APPROVAL OF AN OFFICER OF THE APM-HEXSEAL CORPORATION.

# Mouser Electronics

Authorized Distributor

Click to View Pricing, Inventory, Delivery & Lifecycle Information:

[APM HEXSEAL:](#)

[NH3030](#) [NH3030 31](#)