

**SPECIFICATIONS**

**Material:** APM RUBRGLAS™ (transparent silicone rubber), polymer type, ASTM D1418.

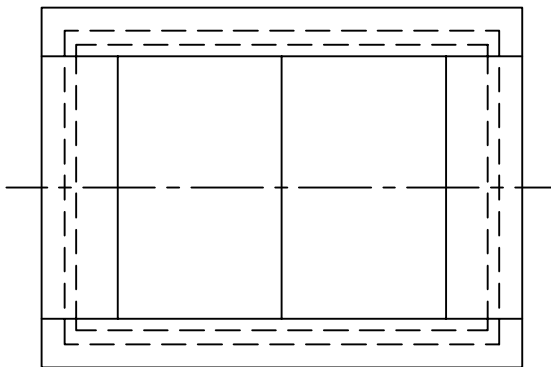
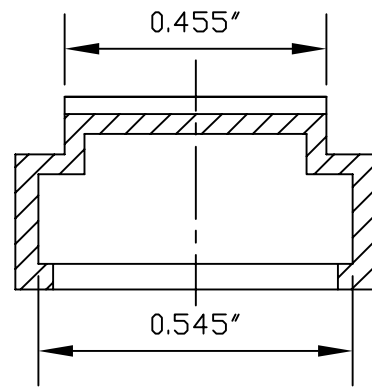
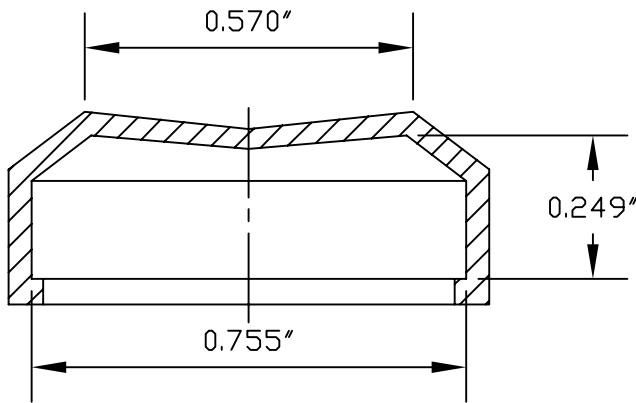
**Temperature Range:** -80°F to +400°F

**Operational Life:** 50,000 actuations (minimum).

**Shelf Life:** Excess of 25 years.

**Resistant to:** Salt spray, sunlight, ozone, weather, fungus, and most acids and lubricating oils

**Agency Recognition:** Rock-R-Seals™ are UL-listed to UL Std. 50, types 1,2, 4R, 5, 12, 12k, 13 and meet CSA standard



B	CHANGED DWG # FROM C1113/66 to 1113/66, REVISED TITLE FOR ACCURACY			07.22.08	
A	CAD COMPUTER GENERATED			10.23.02	
REV.	DESCRIPTION			DATE	
MAXIMUM AND MINIMUM MEASUREMENTS ARE STATED DIRECTLY ON EACH DIMENSION.	TITLE:	ROCKER SWITCH BOOT ONE POLE	ENG.	S. GOK	07.22.08
			DWN.	M.M.	02.21.86
			CHKD.	J. CELLA	07.22.08
MAT'L: RUBRGLAS®	APM-HEXSEAL CORPORATION	SCALE	DWG. NO.	1113/66	
FINISH: TRANSPARENT		3:1			

THIS DRAWING COVERS PROPRIETARY ITEM AND IS THE PROPERTY OF THE APM-HEXSEAL CORPORATION.  
THIS DRAWING IS NOT TO BE COPIED OR USED WITHOUT THE WRITTEN APPROVAL OF AN OFFICER OF THE APM-HEXSEAL CORPORATION.

# Mouser Electronics

Authorized Distributor

Click to View Pricing, Inventory, Delivery & Lifecycle Information:

[APM HEXSEAL:](#)

[C1113/66](#)