

High Efficiency Color-mixing Lens

Unique, efficient mixing
for multi-color emitters



LLSP-1T06-H

The high efficiency color-mixing lens is designed specifically for LedEngin 10W multi-color RGGB and RGBA emitters to provide excellent color uniformity with maximum luminous output.

Key Features

- Excellent color mixing over the full color spectrum in the most efficient lens available
- Designed specifically for 10W multi-color series of RGGB and RGBA emitters; part numbers LZ4-20Mx10-xxxx
- Compatible with Standard MCPCB assemblies
- Optical grade PMMA lens material allows use of high current and temperature conditions
- Simple fastening of holder to PCB with appropriate adhesive, e.g. epoxy or polyurethane based.
- Patent pending

Optical Specifications – Typical Values

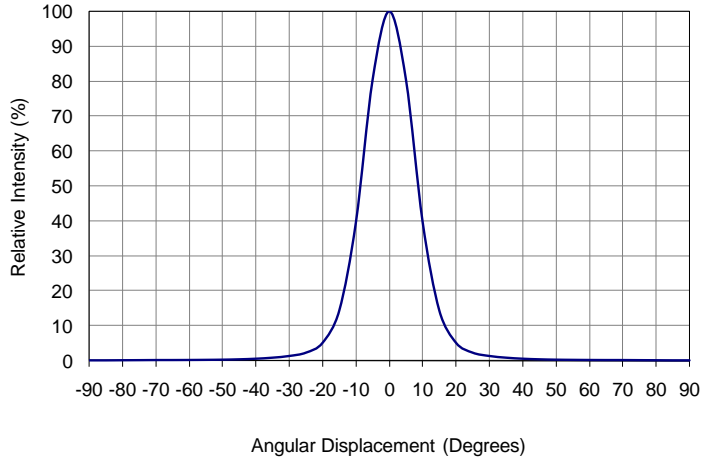
Parameter	Value
Viewing Angle (FWHM)	18°
Optical Efficiency	90%

Mechanical Specifications

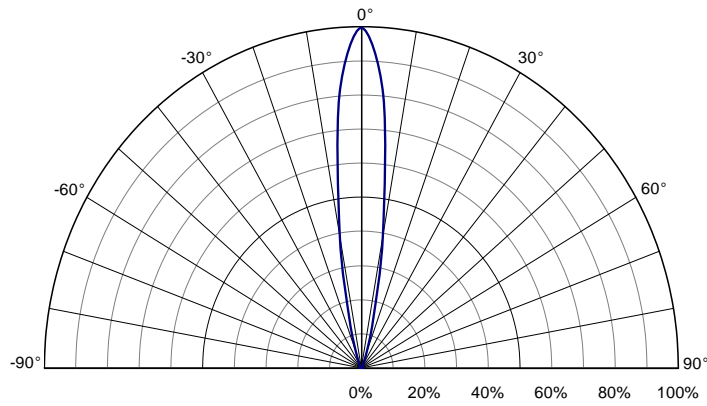
Parameter	Value
Height from Seating Plane	27.57mm
Maximum Width	40.00mm
Operating Temperature Range	-40°C ~ +110°C
Acceptable bonding materials*	Epoxy or polyurethane-based adhesives

*note: do not use a cyanoacrylate (superglue) adhesive!

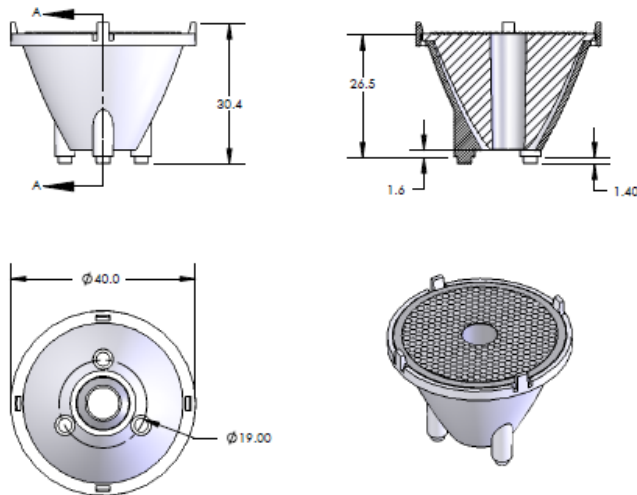
Typical Relative Intensity over Angle



Typical Radiation Pattern



Outline Dimensions



Contact Information

LedEngin, Inc.
3350 Scott Boulevard, Building #9
Santa Clara, CA 95054 USA

Tel: +1 (408) 492-0620
E-mail: Sales@ledengin.com
Website: www.ledengin.com

Mouser Electronics

Authorized Distributor

Click to View Pricing, Inventory, Delivery & Lifecycle Information:

[LED Engin:](#)

[LLSP-1T06-H](#)