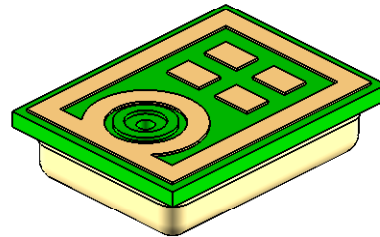
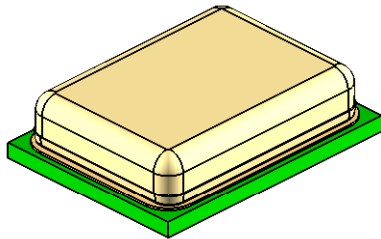


"4 x 3 x 1" Digital Zero-Height SiSonic™
Microphone Specification



Knowles Acoustics
1151 Maplewood Drive
Itasca, IL 60143

1. DESCRIPTION AND APPLICATION

- 1.1 DESCRIPTION Digital Surface Mount Silicon Microphone
- 1.2 APPLICATION Consumer electronics

2. PART MARKING

Identification Number Convention

S 1 2 3

4 5 6 7

S: Identification Marking

"S" - Knowles SiSonic Production

"E" - Knowles Engineering Samples

Digits 1-7: Job Identification Number

3. MATERIALS STATEMENT

3.1 Meets the requirements of the European RoHS directive, 2002/95/EC as amended.

3.2 Meets the requirements of the industry-standard IEC 61249-2-21:2003 for halogenated substances and Knowles Green Materials Standards Policy section on Halogen-Free.

3.3 Ozone depleting substances are not used in the product or the processes used to make the product, including compounds listed in annex A, B, and C of the "Montreal Protocol on Substances that deplete the Ozone Layer."

4. TEMPERATURE RANGE

4.1 Operating Temperature Range: -40°C to +100°C

4.2 Storage Temperature Range: -40°C to +100°C

5. ABSOLUTE MAXIMUM RATINGS

Parameter	Absolute Maximum Rating	Unit
CLOCK to Ground	-0.3, +5.0	V
SELECT, V _{DD} , DATA to Ground	-0.3, +5.0	V
Input Current	±5	mA
DATA Output Short Circuit	Indefinite to Ground or V _{DD}	

Stresses at these Absolute Maximum Ratings may cause permanent damage to the device. These are stress ratings only. The device may not function when operated at these or any other conditions beyond those indicated under "Acoustic & Electrical Specifications". Exposure beyond those indicated under "Acoustic & Electrical Specifications" for extended periods may affect device reliability.

6. ACOUSTIC & ELECTRICAL SPECIFICATIONS

TEST CONDITIONS: 23 ±2°C, 60-70% R.H., V_{DD} = 1.8v, f_{clock}=2.4MHz, no load, unless otherwise specified

Parameter	Symbol	Condition	Limits			Unit
			Min.	Nom.	Max.	
Supply Voltage ¹	V _{DD}		1.6	---	3.6	V
Current Consumption ^{1,5,6}	I _{DD}		---	500	700	µA
Sleep Current ⁶	I _{SLEEP}	f _{clock} < 1kHz	---	4	7	µA
Directivity			Omni-directional			
Sensitivity ¹	S	94 dB SPL @ 1kHz	-29	-26	-23	dBFS
Signal to Noise Ratio	SNR	94 dB SPL @ 1kHz, A-weighted	---	60.5	---	dB(A)
Total Harmonic Distortion	THD	94 dB SPL @ 1kHz	---	---	1	%
		115 dB SPL @ 1kHz	---	---	10	%
Polarity		Increasing sound pressure	Increasing density of 1's			
Fall-asleep Time ^{2,3}		f _{clock} < 1kHz	---	---	10	ms
Wake-up Time ^{2,4}		f _{clock} ≥ 1MHz	---	---	20	ms
Short Circuit Output Current	I _{SC}	Grounded output pin	2	---	10	mA
Output Load	C _{LOAD}		---	---	160	pF
Data Format			1/2 Cycle PDM			
Clock Frequency	f _{clock}		1.0	---	3.25	MHz
Clock Duty Cycle			40	---	60	%
Clock Rise/Fall Time	t _{edge}		---	---	13	nsec
Logic Input Low	V _{IL}		-0.3	---	0.35xV _{DD}	V
Logic Input High	V _{IH}		0.65xV _{DD}	---	3.6	V
Logic Output Low	V _{OL}	I _{OUT} = 2ma	0	---	0.3xV _{DD}	V
Logic Output High	V _{OH}	I _{OUT} = 2ma	0.7xV _{DD}	---	V _{DD}	V
Data Time	t _{setup} + t _{edge}	160 pF Load	47	---	---	nsec
Delay time for valid data	t _{valid}	min t _{valid} valid for no load max t _{valid} valid for max Cload	18	---	115	nsec
Delay time for High Z	t _{hold}		0	---	16	nsec

¹ 100% tested

² Valid microphone states are: Powered Down mode (mic off), Sleep mode (low current, no output, fast startup), and Active mode (normal operation).

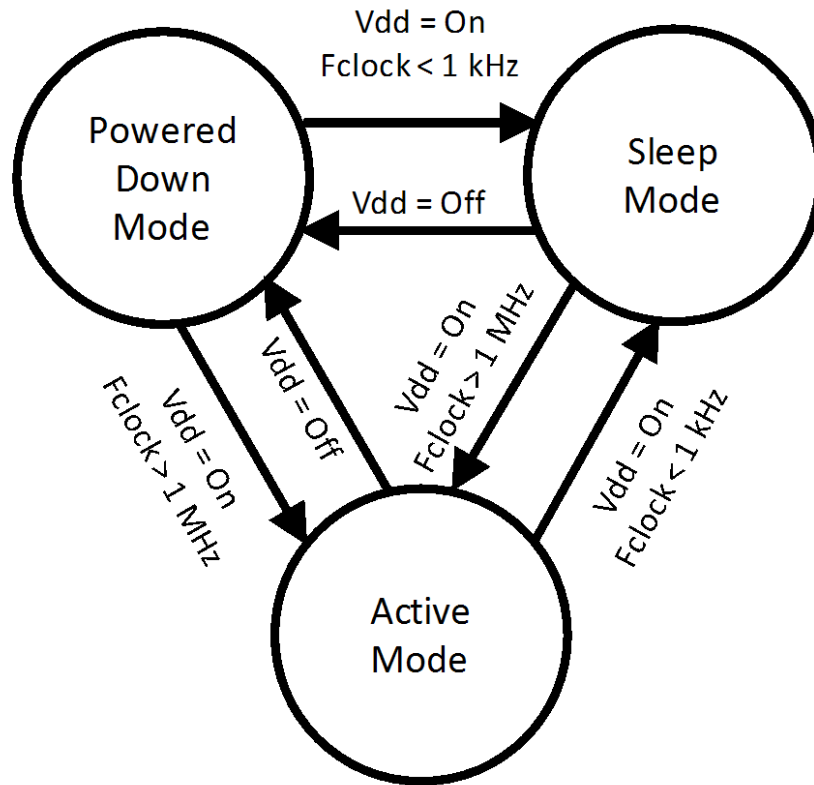
³ Time from F_{clock} < 1 kHz to Sleep Current specification is met when transitioning from Active to Sleep mode.

⁴ Time from F_{clock} ≥ 1 MHz to all applicable specifications are met when transitioning from Sleep to Active mode.

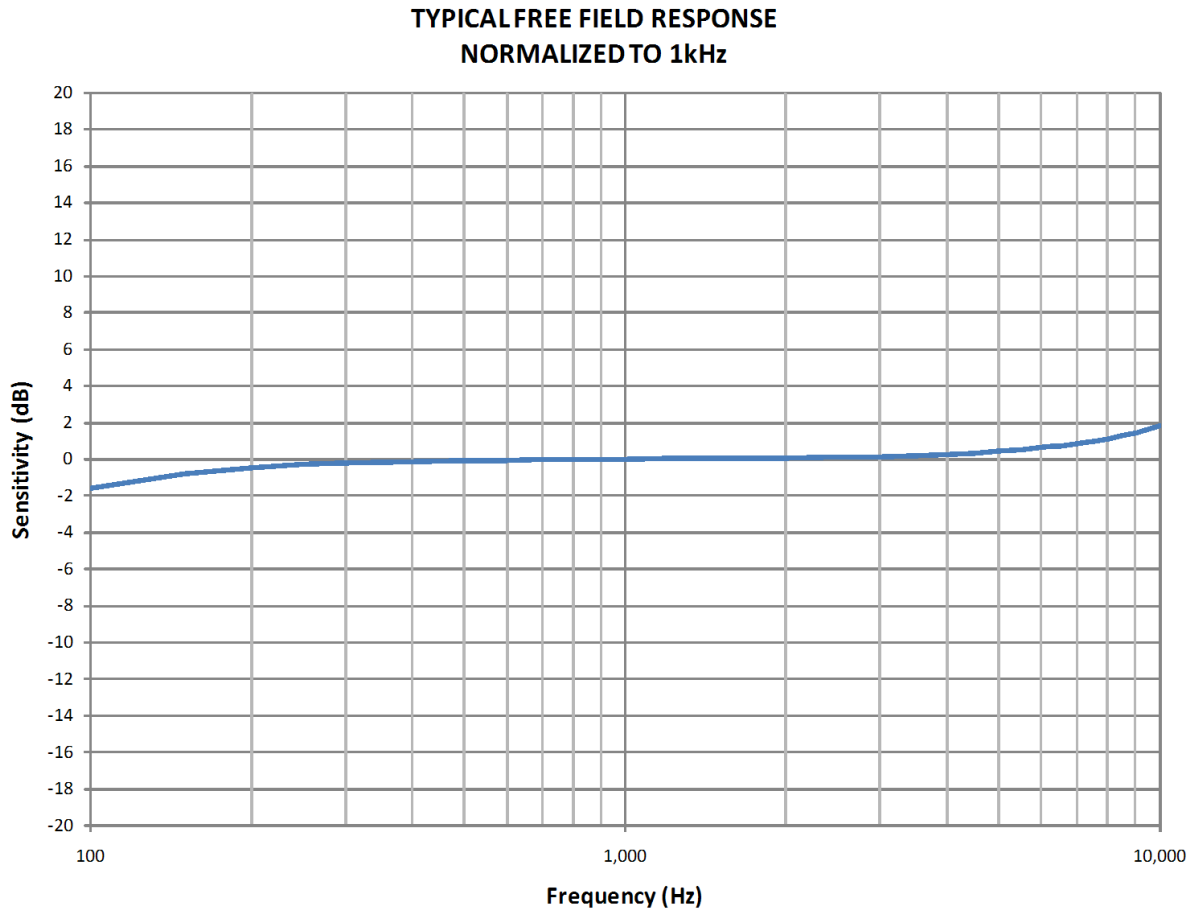
⁵ ΔI_{DD} = 0.5 * V_{DD} * C_{LOAD} * F_{CLOCK}

⁶ Specified max. v values are measured at V_{DD} = 3.6V

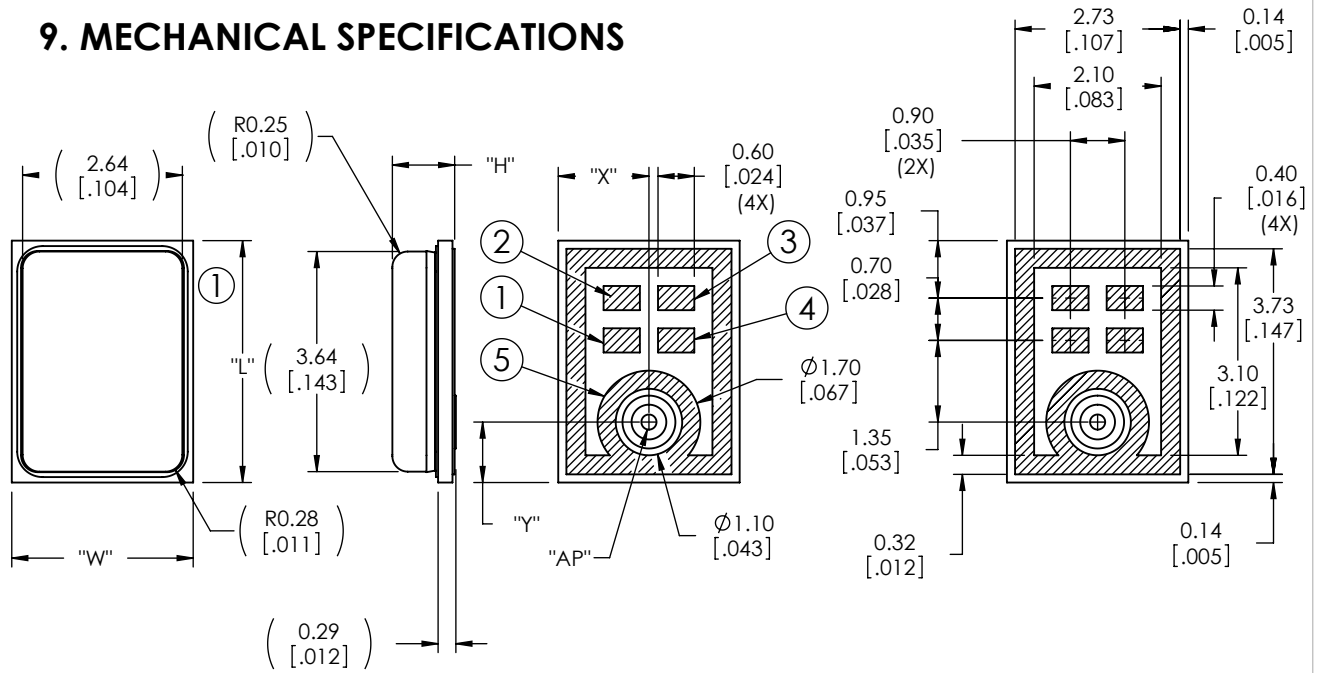
7. MICROPHONE STATE DIAGRAM



8. FREQUENCY RESPONSE CURVE



9. MECHANICAL SPECIFICATIONS



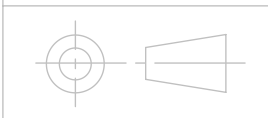
ITEM	DIMENSION	TOLERANCE	UNITS
LENGTH (L)	4.00	±0.100	mm
WIDTH (W)	3.00	±0.100	mm
HEIGHT (H)	1.00	±0.100	mm
ACOUSTIC PORT (AP)	Ø0.25	±0.050	mm
AP LOCATION (X)	1.50	±0.200	mm
AP LOCATION (Y)	1.00	±0.200	mm

PIN OUTPUT	
PIN #	FUNCTION
1	POWER (V _{DD})
2	OUTPUT (DATA)
3	CLOCK (CLK)
4	SELECT
5	GROUND (GND)

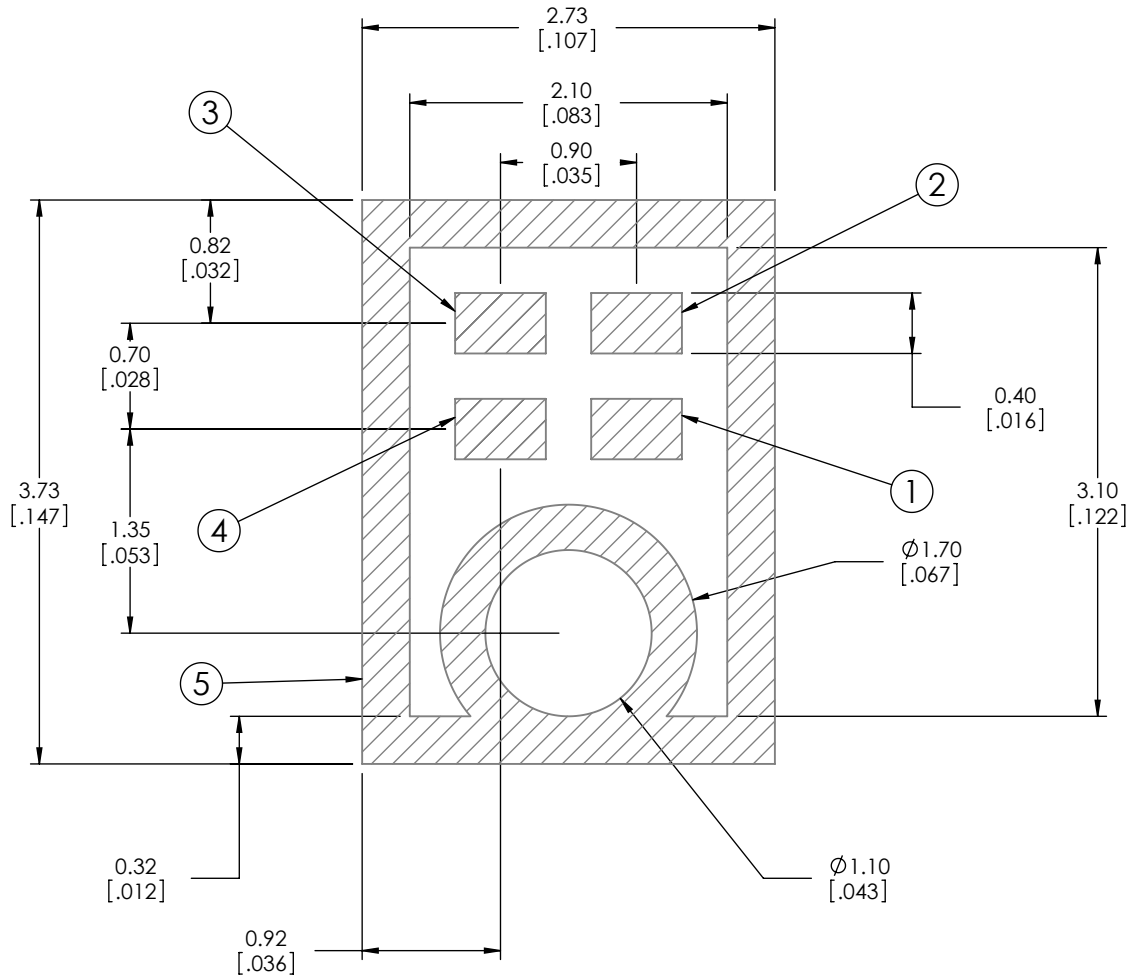
Note:

Dimensions are in millimeters unless otherwise specified.

Tolerance ±0.15mm unless otherwise specified.

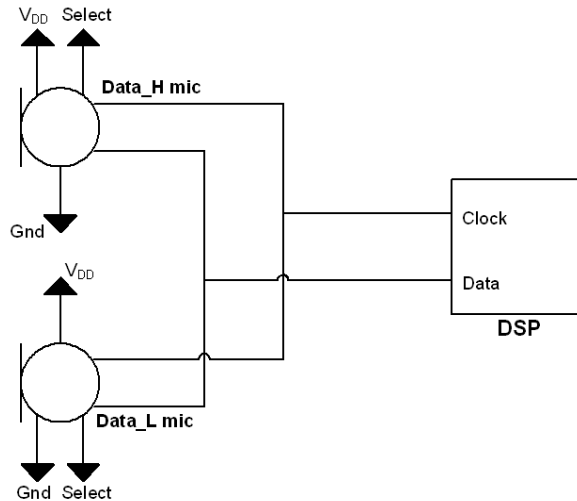


10. RECOMMENDED CUSTOMER LAND PATTERN



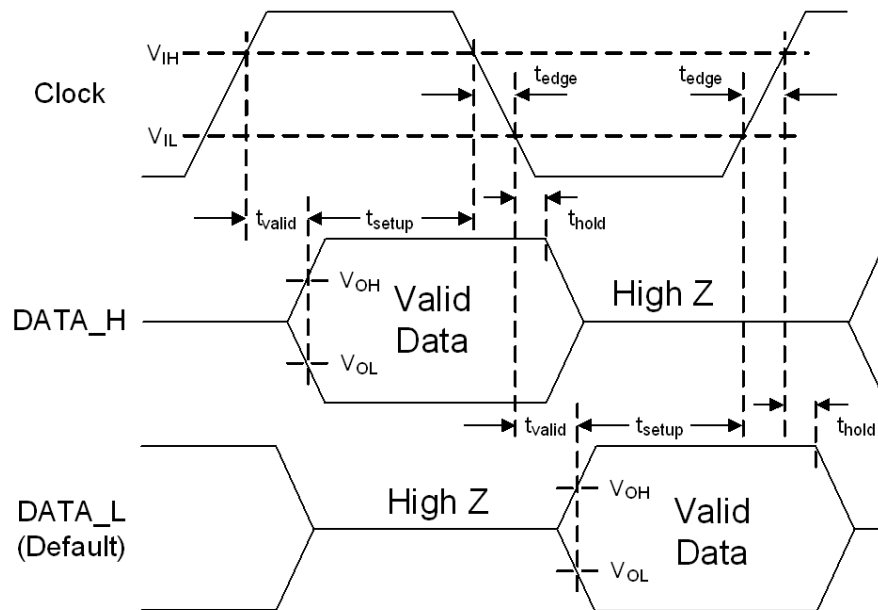
Note: Contact Knowles for Solder Stencil Information

11. RECOMMENDED INTERFACE CIRCUIT



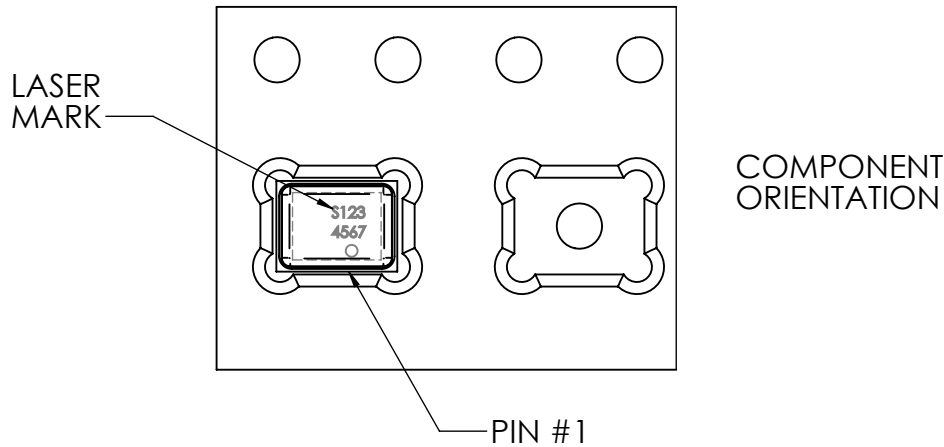
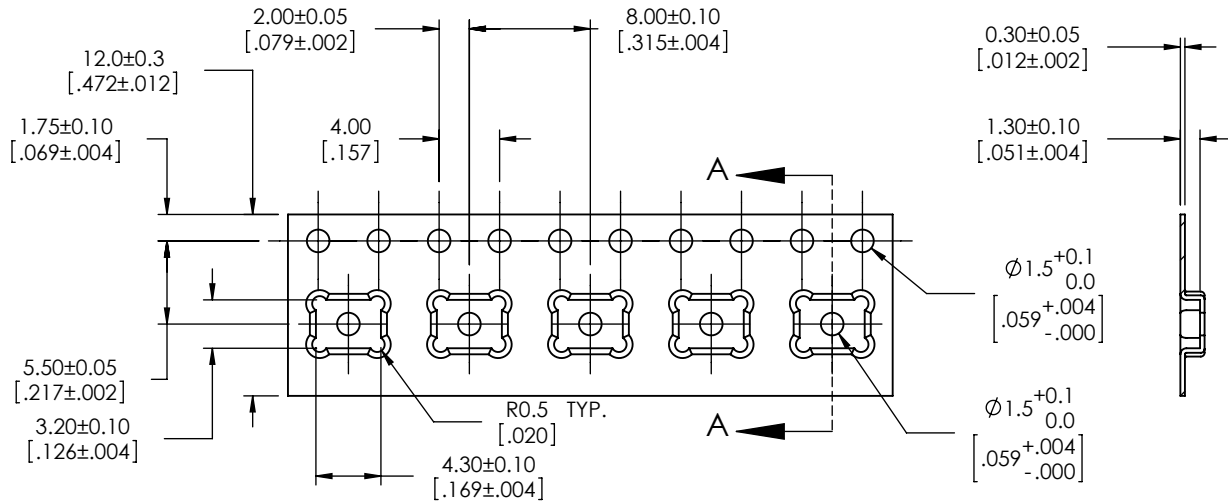
LABEL	Select	Drives data after	High-Z after
Data_H	High	Rising clock edge	Falling clock edge
Data_L	Low (Default)	Falling clock edge	Rising clock edge

12. TIMING DIAGRAM



$$T_{\text{clock}} / 2 = T_{\text{edge}} + T_{\text{valid}} + T_{\text{setup}}$$

13. PACKAGING DETAIL



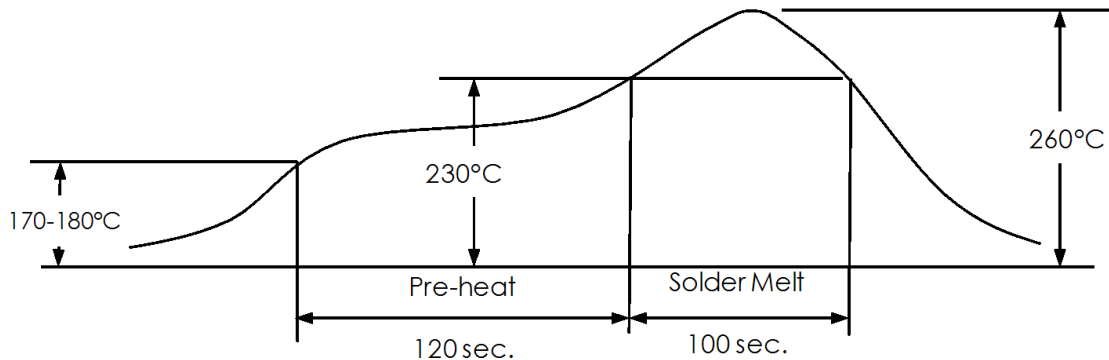
MODEL NUMBER	SUFFIX	REEL DIAMETER	QUANTITY PER REEL
SPK0833LM4H-B	-7	13"	5,700

TAPE & REEL	PER EIA-481
LABEL	LABEL APPLIED TO EXTERNAL PACKAGE & DIRECT TO REEL.

Note:

Dimensions are in millimeters unless otherwise specified.

14. SOLDER REFLOW PROFILE



Stage	Temperature Profile	Time (maximum)
Pre-heat	170 ~ 180°C	120 sec.
Solder Melt	Above 230°C	100 sec.
Peak	260°C maximum	30 sec.

15. ADDITIONAL NOTES

- (A) Shelf life: Twelve (12) months when devices are to be stored in factory supplied, unopened ESD moisture sensitive bag under maximum environmental conditions of 30°C, 70% R.H.
- (B) MSL (moisture sensitivity level) Class 2a.
- (C) Do not pull a vacuum over port hole of the microphone. Pulling a vacuum over the port hole can damage the device.
- (D) Do not board wash after the reflow process. Board washing and cleaning agents can damage the device. Do not expose to ultrasonic processing or cleaning.
- (E) Do not brush board after the reflow process. Brushing the board with/without solvents can damage the device.
- (F) Do not insert any object in port hole of device at any time as this can damage the device.
- (G) Number of reflow - Recommend no more than 3 cycles.
- (H) Do not apply air pressure into the port hole. Air pressure over 30 psi can damage the device.

16. RELIABILITY SPECIFICATIONS

Note: After test conditions are performed, the sensitivity of the microphones shall not deviate more than 3dB from its initial value.

Test	Description
Thermal Shock	100 cycles of air-air thermal shock from -40°C to +125°C with 15 minute soaks. (IEC 68-2-4)
High Temperature Storage	+105°C environment for 1,000 hours. (IEC 68-2-2 Test Ba)
Low Temperature Storage	-40°C environment for 1,000 hours. (IEC 68-2-2 Test Aa)
High Temperature Bias	+105°C environment while under bias for 1,000 hours. (IEC 68-2-2 Test Ba)
Low Temperature Bias	-40°C environment while under bias for 1,000 hours. (IEC 68-2-2 Test Aa)
Temperature / Humidity Bias	+85°C/85% R.H. environment while under bias for 1,000 hours. (JESD22-A101A-B)
Vibration	4 cycles lasting 12 minutes from 20 TO 2,000 Hz in X, Y and Z direction with peak acceleration of 20g. (MIL 883E, Method 2007.2, A)
Electrostatic Discharge	3 discharges at +/-8kV direct contact to lid when unit is grounded (IEC 61000-4-2) and 3 discharges at +/-2kV direct contact to I/O pins. (MIL 883E, Method 3015.7)
Reflow	5 reflow cycles with peak temperature of +260°C.
Mechanical Shock	3 pulses of 10,000g in the X, Y and Z direction. (IEC 68-2-27, Test Ea)

17. SPECIFICATION REVISIONS

Revision	Detailed Specification Changes	Date
A	INITIAL RELEASE (C10113576)	04-02-12
B	SHEET 3: CHANGED DATA TIME PARAMETER FROM Tsetup TO Tsetup + Tedge. (C10113800)	06-05-12

The information contained in this literature is based on our experience to date and is believed to be reliable and it is subject to change without notice. It is intended as a guide for use by persons having technical skill at their own discretion and risk. We do not guarantee favorable results or assume any liability in connection with its use. Dimensions contained herein are for reference purposes only. For specific dimensional requirements consult factory. This publication is not to be taken as a license to operate under, or recommendation to infringe any existing patents. This supersedes and voids all previous literature.



Mouser Electronics

Authorized Distributor

Click to View Pricing, Inventory, Delivery & Lifecycle Information:

Knowles:

[SPK0833LM4H-B](#) [SPK0415HM4H-B](#) [SPK0838HT4H-B](#) [SPK0833LM4H-T](#)