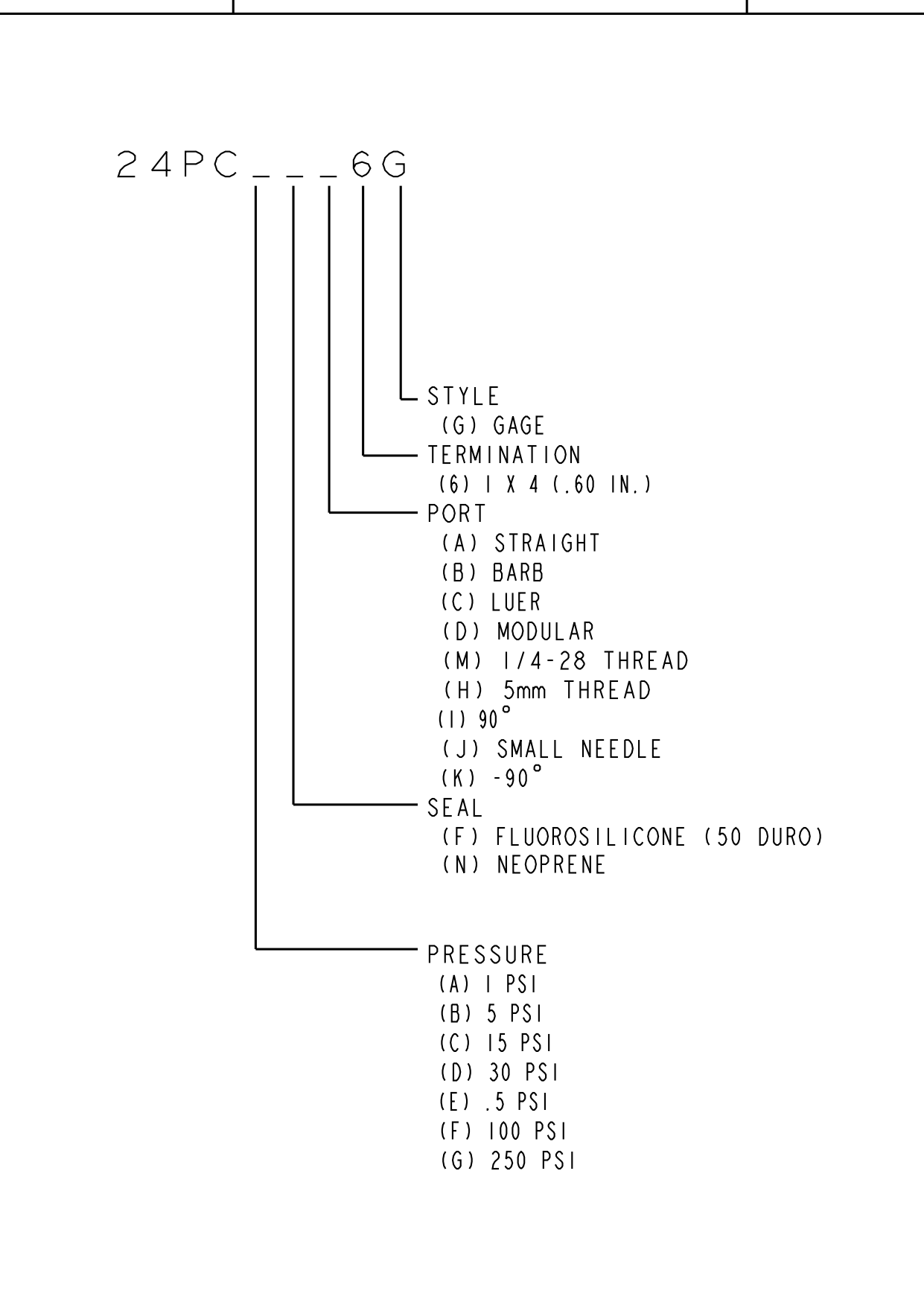
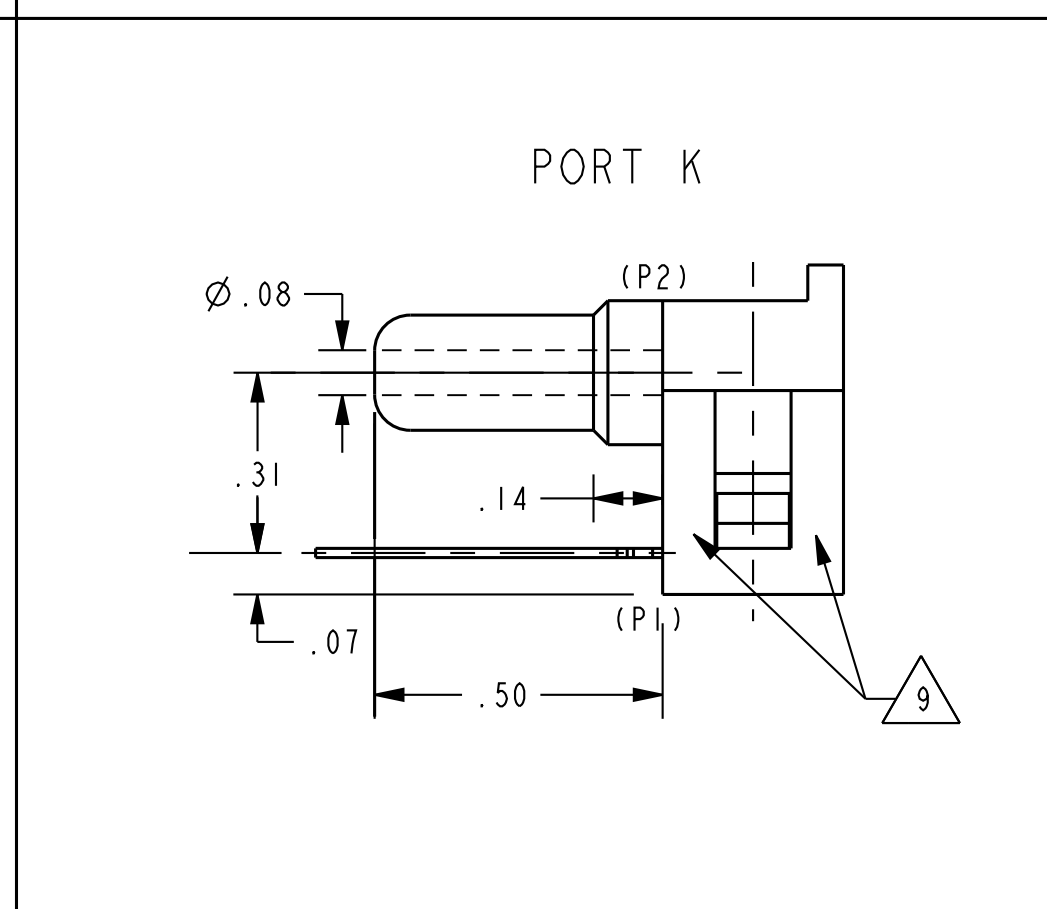




CATALOG LISTING	BRAND DESIGNATION
24PCFFH6G	4FF6G
24PCEFH6G	4EF6G
24PCCFH6G	4CF6G
24PCEFA6G	4EF6G
24PCFA6G	4AF6G
24PCFA6G	4BF6G
24PCBFA6G	4BF6G
24PCBFD6G	4BF6G
24PCBFH6G	4BF6G
24PCCFA6G	4CF6G
24PCDFA6G	4DF6G
24PCFFA6G	4FF6G
24PCEFD6G	4EF6G
24PCAFD6G	4AF6G
24PCAFB6G	4AF6G
24PCBFB6G	4BF6G
24PCCFB6G	4CF6G
24PCCFD6G	4CF6G
24PCDFB6G	4DF6G
24PCDFC6G	4DF6G
24PCDND6G	4DN6G
24PCFFB6G	4FF6G
24PCFFC6G	4FF6G
24PCFFD6G	4FF6G
24PCFFM6G	4FF6G
24PCFND6G	4FN6G
24PCGFA6G	4GF6G
24PCGFB6G	4GF6G
24PCGFH6G	4GF6G
24PCGFM6G	4GF6G
24PCGND6G	4GN6G
24PCGNH6G	4GN6G
24PCEFJ6G	4EF6G
24PCAND6G	4AN6G
24PCBND6G	4BN6G
24PCDFD6G	4DF6G
24PCAFH6G	4AF6G
24PCEFM6G	4EF6G
24PCCFM6G	4CF6G
24PCAFJ6G	4AF6G
24PCDFH6G	4DF6G



GENERAL OPERATING CHARACTERISTICS (ELECTRICAL PERFORMANCE AT 10.00±0.01 VDC EXCITATION, 25°C)					
PARAMETERS	PRESSURE RANGES (PSI)	MIN	TYP	MAX	UNITS
NULL OFFSET	ALL	-30	0	+30	mV
NULL SHIFT Δ 0° TO 25°C OR 25° TO 50°C			±1.0		
SPAN Δ P2 > P1	0 TO .5 G	25	35	45	%SPAN
	0 TO 1 G	30	45	60	
	0 TO 5 G	85	115	145	
	0 TO 15 G	165	225	285	
	0 TO 30 G	240	330	420	
	0 TO 100 G	156	225	294	
SENSITIVITY SHIFT Δ 0° TO 25°C OR 25° TO 50°C P2 > P1 AT 10 VDC AT 2 mA	ALL		±5.0		%SPAN
LINEARITY P2 > P1 (BFSL) P1 > P2	ALL		.2	1.0	
REPEATABILITY & HYSTERESIS			±.5		
STABILITY OVER 1 YEAR EXCITATION VOLTAGE	ALL		±1.5		
INPUT RESISTANCE		4.0K	5.0K	6.0K	OHMS
OUTPUT RESISTANCE		4.0K	5.0K	6.0K	OHMS
(P1 > P2) (P2 > P1) OVERPRESSURE AT 25°C	0 TO .5 G			20	PSI
	0 TO 1 G			20	
	0 TO 5 G			20	
	0 TO 15 G			45	
	0 TO 30 G			60	
	0 TO 100 G			200	
TEMPERATURE STORAGE OPERATE	ALL	-55° TO +100°C (-67°F TO +212°F)			
		-40° TO +85°C (-40°F TO +185°F)			



NOTES

- SPAN IS THE ALGEBRAIC DIFFERENCE BETWEEN END POINTS (OUTPUT AT MINIMUM AND MAXIMUM PRESSURE)
- TEMPERATURE ERROR IS CALCULATED WITH RESPECT TO 25°C AND EXPRESSES THE DEVIATION THAT COULD OCCUR AS TEMPERATURE IS RAISED OR LOWERED TO LIMITS INDICATED
- INPUT MEDIA LIMITED ONLY TO THOSE MATERIALS THAT WILL NOT ATTACK POLYESTER, SILICON, BUNA-N OR FLUROSILICONE
- TERMINALS ARE PLATED FOR SOLDERING
- LIMIT SOLDERING TO 315° FOR 10 SECONDS MAX
- PIN 1 IS IDENTIFIED BY NOTCH IN LEAD
- M5 THREADED PRODUCT: RECOMMENDED TORQUE FOR SEALING: 4 IN-LBS DO NOT EXCEED 6 IN-LBS OF TORQUE
- SIZE 007 O-RING O-RING COUNTERBORE DIMENSIONS: ϕ .300±.003 X ∇ .040

1/4-28 UNF THREADED PRODUCT: RECOMMENDED TORQUE FOR SEALING: 8 IN-LBS DO NOT EXCEED 12 IN-LBS OF TORQUE

SIZE 009 O-RING O-RING COUNTERBORE DIMENSIONS: ϕ .360±.003 X ∇ .040±.002

BRAND 5 DIGIT LISTING AND 6 DIGIT DATE CODE (YYYYMM). ALTERNATE FORMAT OF CATALOG LISTING BRAND IS THE ENTIRE CATALOG LISTING

METRIC	INCHES
0.41	.016
0.51	.020
1.02	.040
1.3	.05
1.8	.07
2.0	.08
2.3	.09
2.5	.10
3.6	.14
5.1	.20
6.4	.25
7.9	.31
8.9	.35
12.7	.50
15.3	.60
18.8	.74
20.4	.80
21.6	.85
21.8	.86
22.1	.87
23.9	.94

THIRD ANGLE PROJECTION

SCALE 3 : 1

DO NOT SCALE PRINT

UNLESS OTHERWISE SPECIFIED TOLERANCES ARE

ONE PLACE (.0) +.030

TWO PLACE (.00) +.015

THREE PLACE (.000) +.005

ANGLES +

WEIGHT 2 OZ.

THIS DRAWING COVERS A PROPRIETARY ITEM AND IS THE PROPERTY OF MICRO SWITCH, A DIVISION OF HONEYWELL. THIS DRAWING IS NOT TO BE COPIED OR USED WITHOUT THE APPROVAL OF MICRO SWITCH.

FED. MFG. CODE 91929

MICRO SWITCH
a Honeywell Division

BRIDGE PRESSURE SENSOR

CATALOG LISTING
24PC SERIES CHART 5

ANSI Y14.5M-1982 APPLIES

Mouser Electronics

Authorized Distributor

Click to View Pricing, Inventory, Delivery & Lifecycle Information:

[Honeywell:](#)

[24PCBFA6G](#) [24PCBFD6G](#) [24PCCFA6G](#) [24PCCFB6G](#) [24PCCFH6G](#) [24PCEFA6G](#) [24PCEFD6G](#) [24PCEFJ6G](#)
[24PCFFA6G](#) [24PCFFH6G](#) [24PCFFM6G](#) [24PCGFA6G](#) [24PCAFJ6G](#) [24PCCFB6D](#)