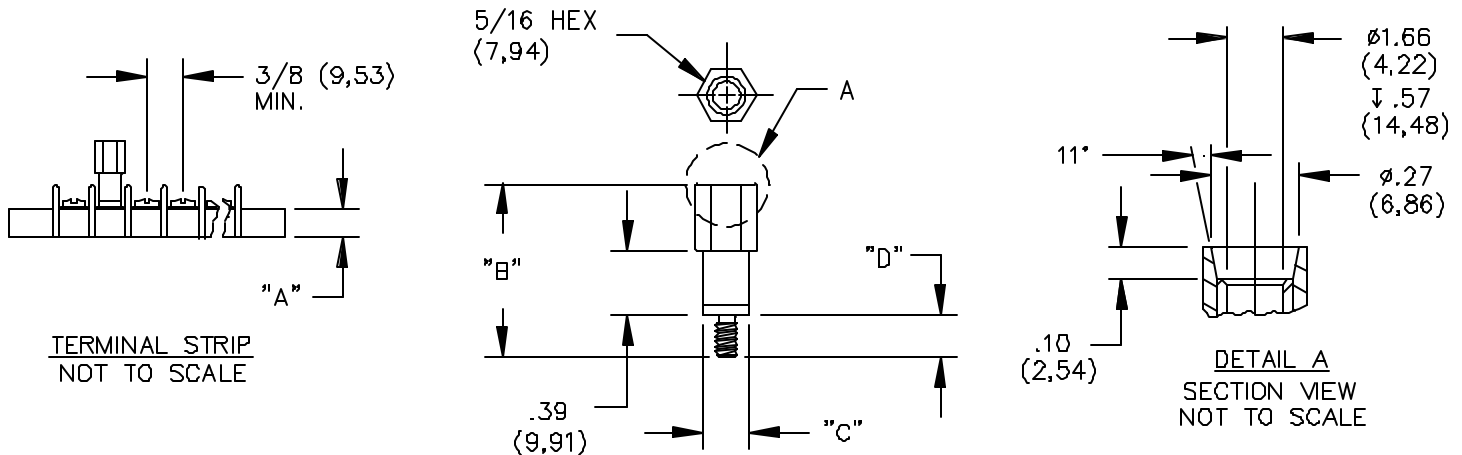


## Model 5699, 5700 & 5701 Terminal Strip Banana Jack Adapter, 6-32, 8-32 & 10-32 Threaded Stud



Model	Dim "A"	Dim "B"	Dim "C"	Dim "D"
<b>5699</b>	.35 min (8,89)	1.04 (26,42)	Ø .28 (7,11)	.25 (6,35)
<b>5700</b>	.44 min (11,18)	1.13 (28,70)	Ø .38 (9,65)	.32 (8,13)
<b>5701</b>	.50 min (12,70)	1.13 (28,70)	Ø .38 (9,65)	.32 (8,13)

### FEATURES:

- This adapter provides a banana jack connection by replacing the screw in a terminal strip.
- Secure connections can be made with standard banana plug patch cords without breaking the connection to the terminal strip.
- Banana jack .166 dia.

### MATERIALS:

Banana Jack with 6-32 (Model 5699) Binding Head, threaded stud – Brass, Alloy 360, ½ Hard  
 8-32 (Model 5700)  
 10-32 (Model 5701)

Electroless nickel plate per MIL-C-26074, Class 1 200/300 microinches

Insulation – Nylon 6, 20% glass filled

### RATINGS:

Operating Temperature: +102°C. (+216°F.) Max.

Operating Voltage: 1100 VRMS Max. (Model 5699)

1600 VRMS Max (Model 5700)

1700 VRMS Max. (Model 5701)

Current: 25 Amperes Max.

Power: 7500 Watts Max.

### ORDERING INFORMATION: Model 5699-\*

\*=Color Code, -0 Black, -2 Red, -3 Orange, -4 Yellow, -5 Green, -6 Blue, -9 White

All dimensions are in inches. Tolerances (except noted): .xx = ±.02" (.51 mm), .xxx = ± .005" (.127 mm).

All specifications are to the latest revisions. Specifications are subject to change without notice.

Registered trademarks are the property of their respective companies. Made in USA

# Mouser Electronics

Authorized Distributor

Click to View Pricing, Inventory, Delivery & Lifecycle Information:

Pomona:

[5700-2](#) [5700-0](#) [5700-3](#) [5700-4](#) [5700-9](#) [5699-2](#) [5699-3](#) [5699-9](#) [5699-4](#) [5699-0](#) [5701-3](#) [5701-9](#) [5701-4](#) [5701-2](#)  
[5701-0](#)