

IRA-S500ST01A01



Applications

Unsuitable Applications	Please be sure to read and comply with these "Precautions for use."
Specific Applications	Consumer equipment Please refer to Our Website and specifications, etc. for information about the performance, functions, quality, management, and safety required for the above applications, and use Products after confirming the performance and reliability of the actual Product.
Recommended Applications	Intrusion detection, Security Equipment, Light, Indoor, For Ceiling, Improved RF immunity

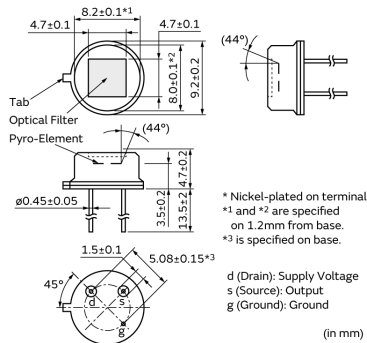
Packaging Information

Packaging	Specifications	Standard Packing Quantity
-	Box	100

Features

- Excellent Sensitivity & S/N ratio (Signal/Noise)
- Excellent Quality
- Excellent EMC

Appearance & Shape



Attention

- This datasheet is downloaded from the website of Murata Manufacturing Co., Ltd. Therefore, it's specifications are subject to change or our products in it may be discontinued without advance notice. Please check with our sales representatives or product engineers before ordering.
- This datasheet has only typical specifications because there is no space for detailed specifications. Therefore, please review our product specifications or consult the approval sheet for product specifications before ordering.

IRA-S500ST01A01

Specifications

Shape	Lead
Dimensions	TO-5(ϕ 9.2x4.7mm)
Output Type	Analog
Electrode	(1.0x1.0mm)x4
Responsivity(typ.)	3.3mV
Supply Voltage Range	2V to 15V
Field of View	X-axis/Y-axis=44deg.
Operating Temperature (°C)	-40°C to 70°C
Storage Temperature Range	-40°C to 85°C

Attention

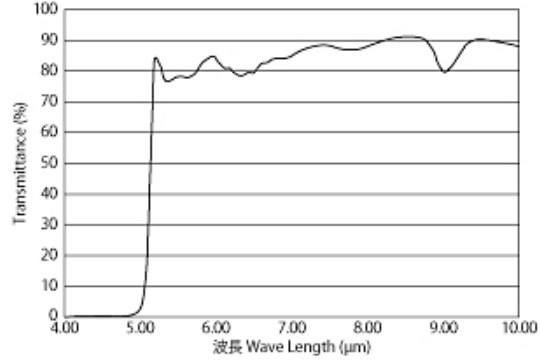
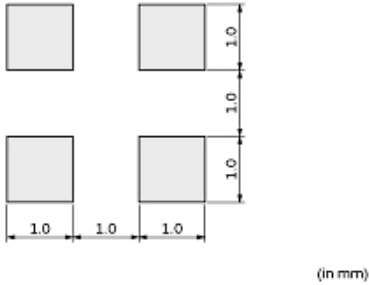
1.This datasheet is downloaded from the website of Murata Manufacturing Co., Ltd. Therefore, it's specifications are subject to change or our products in it may be discontinued without advance notice. Please check with our sales representatives or product engineers before ordering.

2.This datasheet has only typical specifications because there is no space for detailed specifications.

Therefore, please review our product specifications or consult the approval sheet for product specifications before ordering.

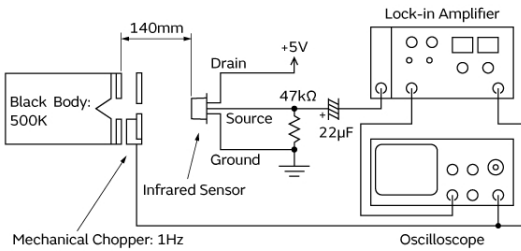
IRA-S500ST01A01

Product Data



Pyroelectric Elements(Electrode Dimension)

Optical Filter characteristics



Test system of Responsivity

Attention

- 1.This datasheet is downloaded from the website of Murata Manufacturing Co., Ltd. Therefore, it's specifications are subject to change or our products in it may be discontinued without advance notice. Please check with our sales representatives or product engineers before ordering.
- 2.This datasheet has only typical specifications because there is no space for detailed specifications.
Therefore, please review our product specifications or consult the approval sheet for product specifications before ordering.