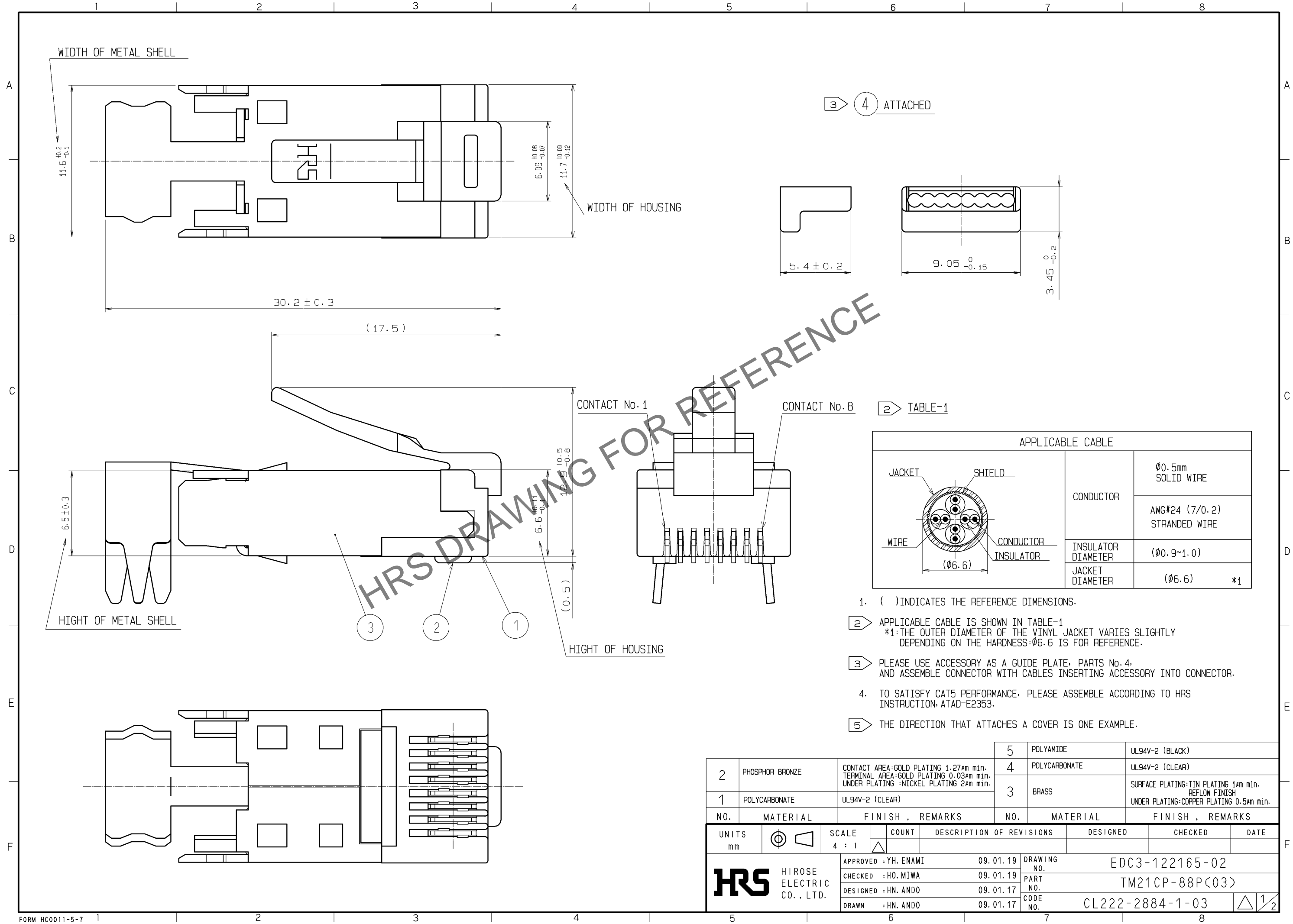


Oct.1.2025 Copyright 2025 HIROSE ELECTRIC CO., LTD. All Rights Reserved.
 In case of consideration for using Automotive equipment / device which demand high reliability, kindly contact our sales window correspondents.



APPLICABLE CABLE		
CONDUCTOR	JACKET	Ø0.5mm SOLID WIRE
	SHIELD	AWG#24 (7/0.2) STRANDED WIRE
INSULATOR DIAMETER	WIRES	(Ø0.9~1.0)
JACKET DIAMETER	CONDUCTOR INSULATOR	(Ø6.6) *1

- () INDICATES THE REFERENCE DIMENSIONS.
- APPLICABLE CABLE IS SHOWN IN TABLE-1
*1: THE OUTER DIAMETER OF THE VINYL JACKET VARIES SLIGHTLY DEPENDING ON THE HARDNESS: Ø6.6 IS FOR REFERENCE.
- PLEASE USE ACCESSORY AS A GUIDE PLATE, PARTS No. 4, AND ASSEMBLE CONNECTOR WITH CABLES INSERTING ACCESSORY INTO CONNECTOR.
- TO SATISFY CAT5 PERFORMANCE, PLEASE ASSEMBLE ACCORDING TO HRS INSTRUCTION: ATAD-E2353.
- THE DIRECTION THAT ATTACHES A COVER IS ONE EXAMPLE.

2	PHOSPHOR BRONZE	CONTACT AREA: GOLD PLATING 1.27µm min. TERMINAL AREA: GOLD PLATING 0.03µm min. UNDER PLATING : NICKEL PLATING 2µm min.	5	POLYAMIDE	UL94V-2 (BLACK)
1	POLYCARBONATE	UL94V-2 (CLEAR)	4	POLYCARBONATE	UL94V-2 (CLEAR)
			3	BRASS	SURFACE PLATING: TIN PLATING 1µm min. REFLOW FINISH UNDER PLATING: COPPER PLATING 0.5µm min.
NO.	MATERIAL	FINISH . REMARKS	NO.	MATERIAL	FINISH . REMARKS

UNITS	SCALE	COUNT	DESCRIPTION OF REVISIONS	DESIGNED	CHECKED	DATE
mm	4 : 1	△				
APPROVED : YH. ENAMI			09.01.19	DRAWING NO. EDC3-122165-02		
CHECKED : HO. MIWA			09.01.19	PART NO. TM21CP-88P(03)		
DESIGNED : HN. ANDO			09.01.17	CODE NO. CL222-2884-1-03		
DRAWN : HN. ANDO			09.01.17	△ 1/2		

Oct.1.2025 Copyright 2025 HIROSE ELECTRIC CO., LTD. All Rights Reserved.
 In case of consideration for using Automotive equipment / device which demand high reliability, kindly contact our sales window correspondents.

5 ATTACHED

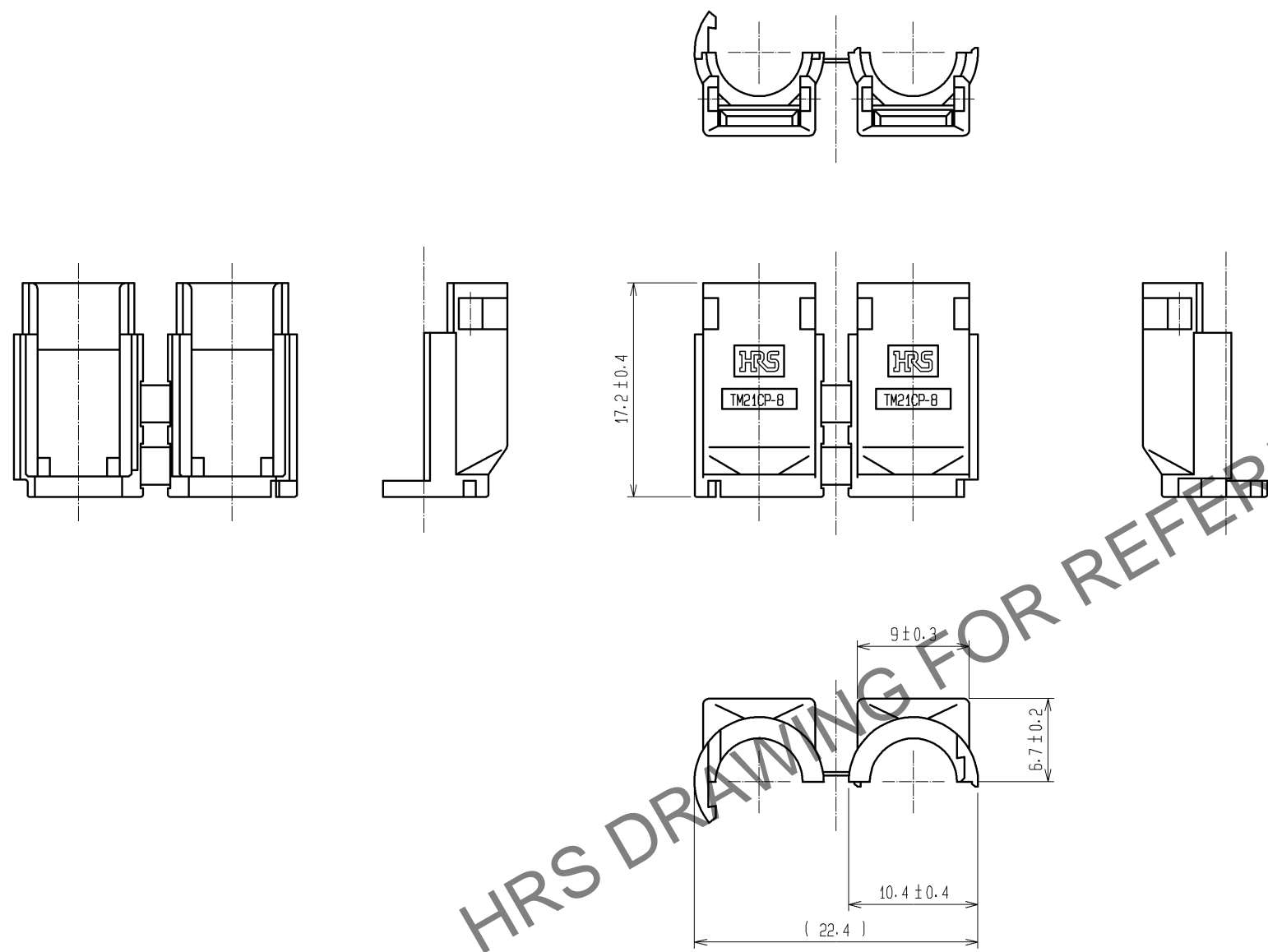
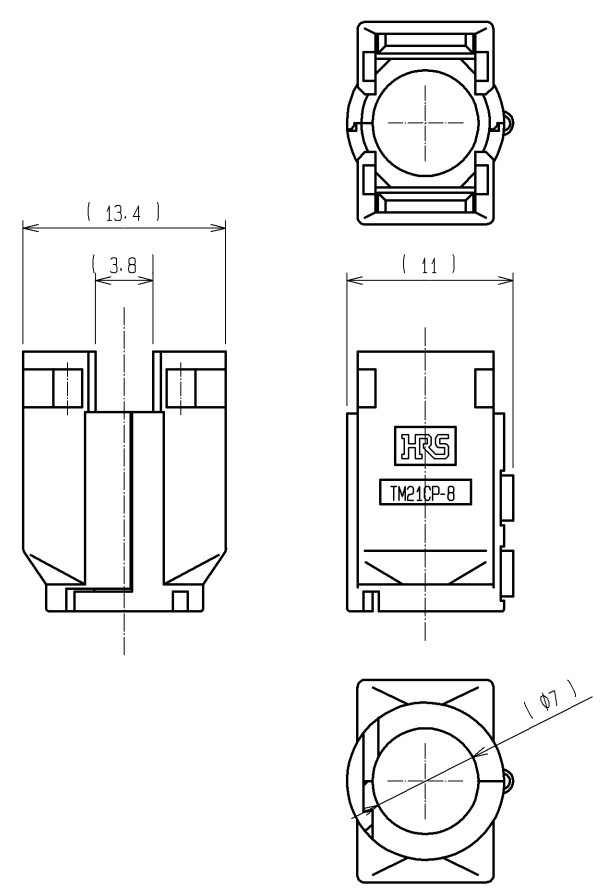
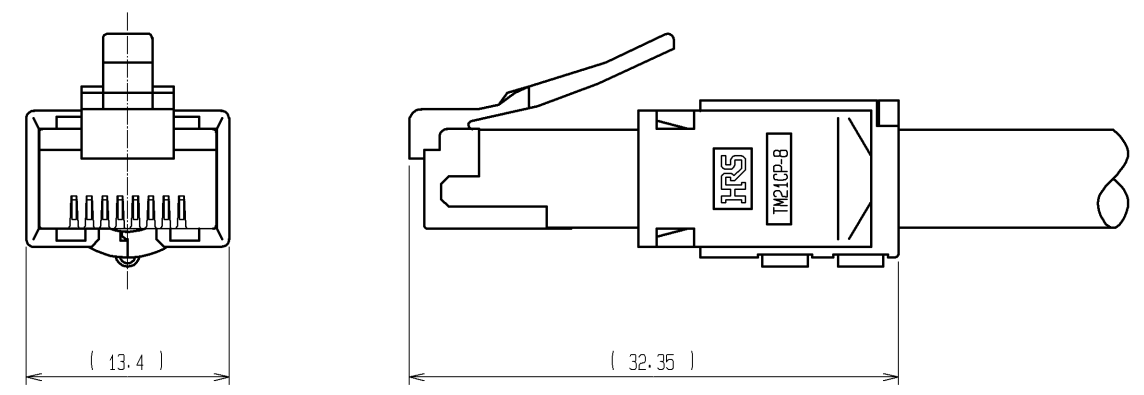


FIGURE OF MATED COVER



5 ATTACHED COVER



図番: EDC3-122165-02
 製品名: TM21CP-88P(03)
 製品コード: CL222-2884-1-03

△ 2/2