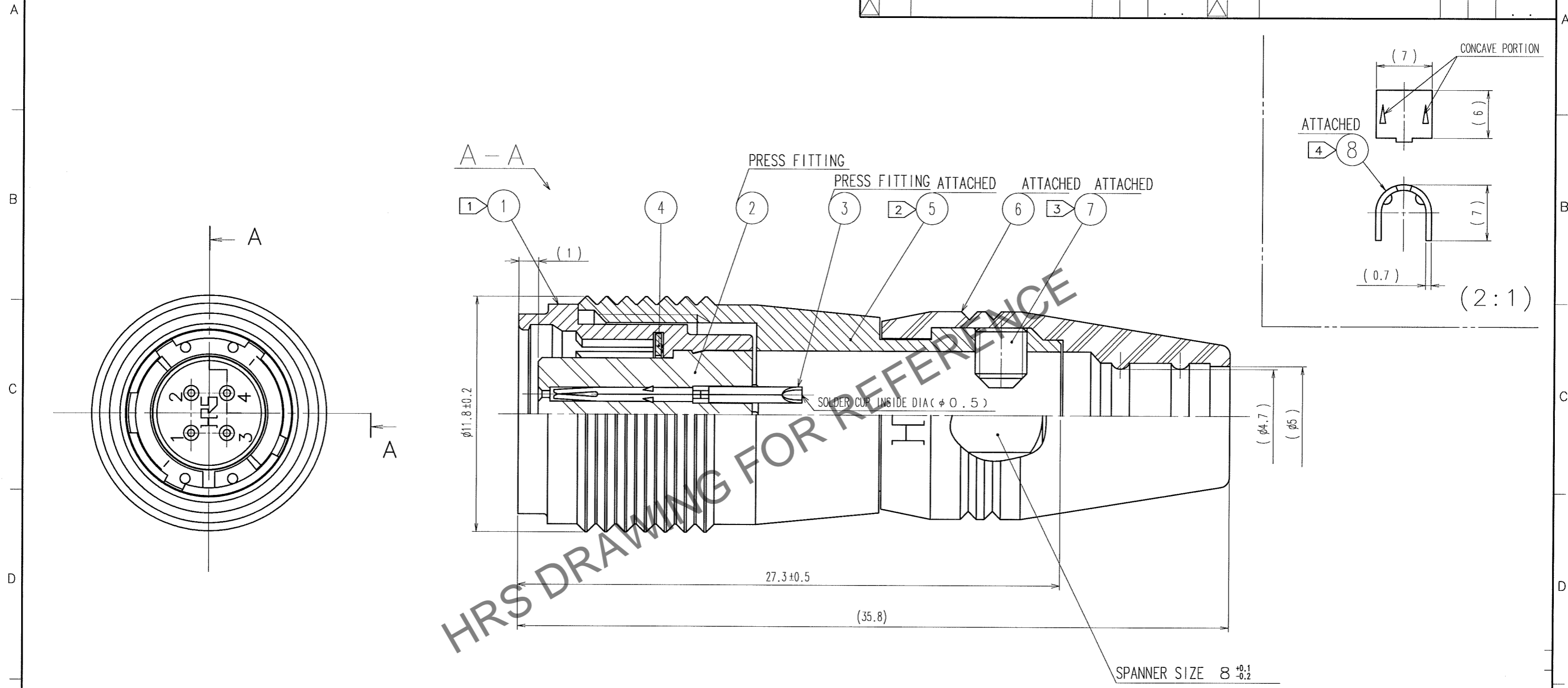


Oct.1.2025 Copyright 2025 HIROSE ELECTRIC CO., LTD. All Rights Reserved.
 In case of consideration for using Automotive equipment / device which demand high reliability, kindly contact our sales window correspondents.

COUNT	DESCRIPTION OF REVISIONS	BY	CHKD	DATE	COUNT	DESCRIPTION OF REVISIONS	BY	CHKD	DATE
△					△				
△					△				
△					△				



- NOTES
- ① THREAD PORTION OF REF. No. ① IS APPLIED WITH PRECOATING TO PREVENT LOOSENESS. HOWEVER, THE ADHESIVE EFFECTIVENESS IS DECREASED WHEN REUSED. THEREFORE, THREAD PORTION IS RECOMMENDED TO COAT WITH LOCTITE 271 MANUFACTURED BY HENKEL JAPAN OR EQUIVALENT.
 - ② THE RECOMMENDED TIGHTENING TORQUE OF REF. No. ⑤ TO BE 1 N·m.
 - ③ THE TIP OF REF. No. ⑦ SHALL BE FIXED TO THE CONCAVE PORTION WITH REF. No. ⑧ CLAMPED TO THE CABLE.
 OPPOSITE SIDE DIMENSION OF A HEXAGON SOCKET OF REF. No. ⑦ IS 1.27mm.
 AND THE RECOMMENDED TIGHTENING TORQUE OF REF. No. ⑦ TO BE 0.3 TO 0.4 N·m.
 - ④ MANUAL CRIMPING TOOL OF REF. No. ⑧ : HR10A-TC-02 (THE HOLE DIAMETER FOR CRIMPING: φ 5.3)
 - ⑤ ROTATION EXAMPLES OF REF. No. ① AND ⑤⑥ ARE SHOWN.
 - ⑥ CONTACT AREA : GOLD 0.2μm min.
 TERMINAL AREA: GOLD FLASH.
 UNDERPLATING : NICKEL 2μm min.
 - ⑦ REFER TO THE TECHNICAL SPECIFICATION ATAD-C0140 FOR ASSEMBLY PROCEDURE.
 - ⑧ THE CABLE STRENGTH, ROTATORY STRENGTH AND OTHER CHARACTERISTICS MAY DIFFER, DEPENDING ON THE CABLE STRUCTURE. PLEASE CONFIRM BEFORE THE USE.

NO.	MATERIAL	FINISH, REMARKS	NO.	MATERIAL	FINISH, REMARKS
4	BERYLLIUM COPPER	NICKEL PLATING	8	BRASS	
3	PHOSPHOR BRONZE	⑥	7	STEEL	NICKEL PLATING M2.6×0.45×3
2	POLYPHENYLENE SULFIDE	(BLACK) 94V-0	6	ETHYLENE PROPYLENE RUBBER	(BLACK)
1	ZINC ALLOY	MATTE FINISH NICKEL PLATING	5	BRASS	MATTE FINISH NICKEL PLATING

CODE NO. (OLD) CL		DRAWN <i>M. Sato</i> 06.09.28	DESIGNED <i>Y. Yamada</i> 06.09.28	CHECKED /	APPROVED <i>M. Sato</i> 06.09.28	RELEASED /
DRAWING NO. EDC3-115076		PART NO. HR25A-7J-4S		CODE NO. CL125-0634-4-00		
SCALE 5 : 1		UNITS mm		HRS HIROSE ELECTRIC CO., LTD		