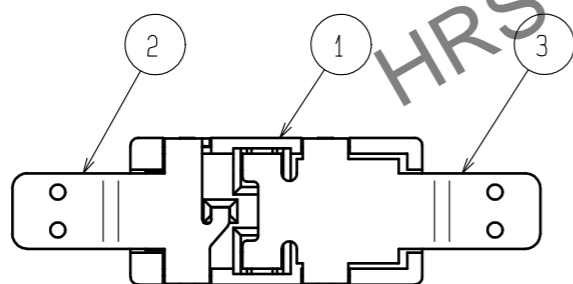
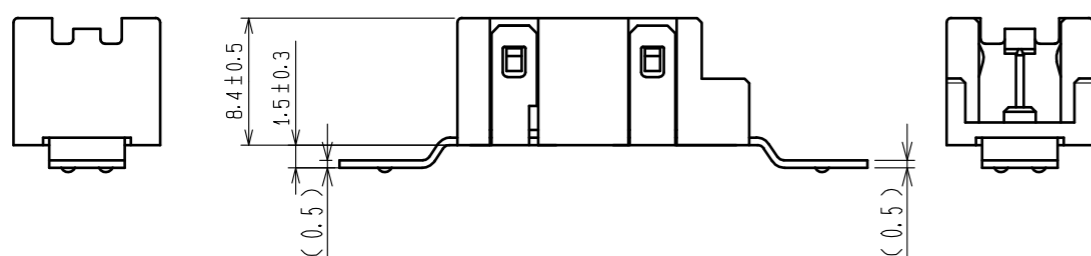
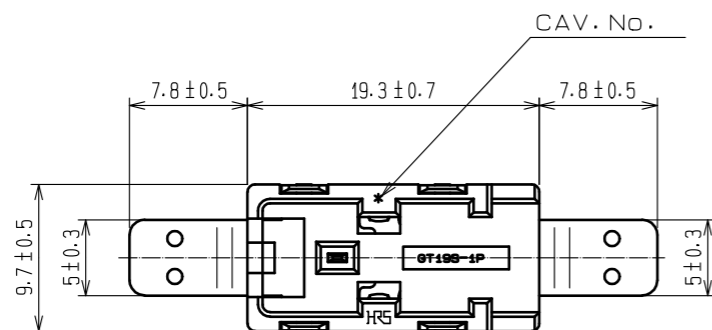


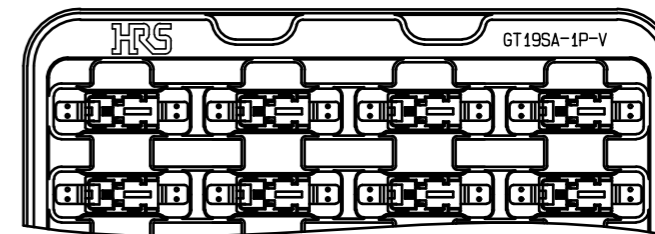
Apr.1.2025 Copyright 2025 HIROSE ELECTRIC CO., LTD. All Rights Reserved.
In case of consideration for using Automotive equipment / device which demand high reliability, kindly contact our sales window correspondents.

ELV·RoHS COMPLIANT



PACKING SPECIFICATION

- ① Insert connectors in exclusive trays as below.
 - Trays : 40 pcs

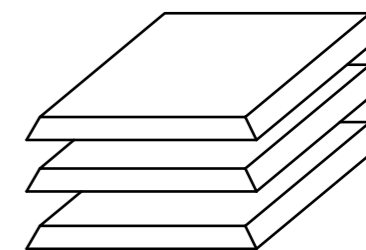


- ② Three trays to be piled in turn. The third tray is an empty tray.

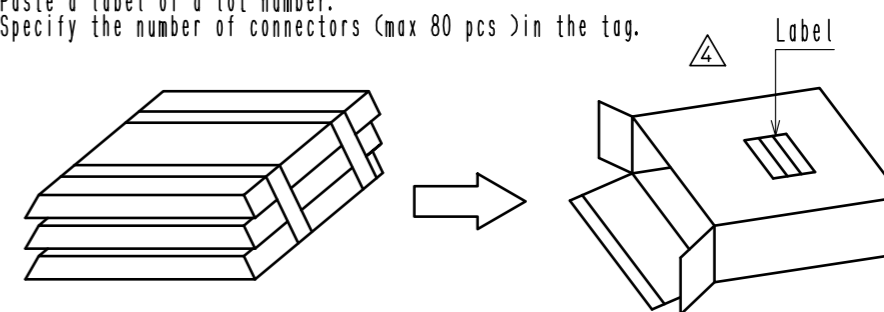
Hard tray (Empty tray)

Hard tray

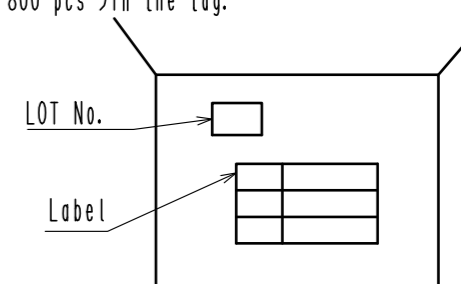
Hard tray



- ③ Fix two places by PP bands and put in a cardboard.
 - Paste a label of a lot number.
 - Specify the number of connectors (max 80 pcs) in the tag.



- ④ Put ③ cardboard carton (max 10) in a cardboard.
 - Paste a label of a lot number.
 - Specify the number of connectors (max 800 pcs) in the tag.



2	BRASS	UNDER PLATING:NICKEL 0.5 μm MIN SURFACE PLATING:TIN 1 μm MIN		
1	PPS	BLACK	3	COPPER ALLOY TIN 1 μm MIN
NO.	MATERIAL	FINISH . REMARKS	NO.	MATERIAL FINISH . REMARKS
UNITS mm		SCALE 2 : 1	COUNT 1	DESCRIPTION OF REVISIONS DIS-T-00023032
		DESIGNED TK. SUZUKI	CHECKED KT. MAKI	DATE 20250125
HRS HIROSE ELECTRIC CO., LTD.		APPROVED : KS. SATOH 20090220	DRAWING NO. EDC-166853-00-00	
		CHECKED : MO. OKADA 20090219	PART NO. GT19SA-1P-V	
		DESIGNED : MH. YAMAGUCHI 20090219	CODE NO. CL0769-0022-1-00	
		DRAWN : YS. OCHI 20090219		