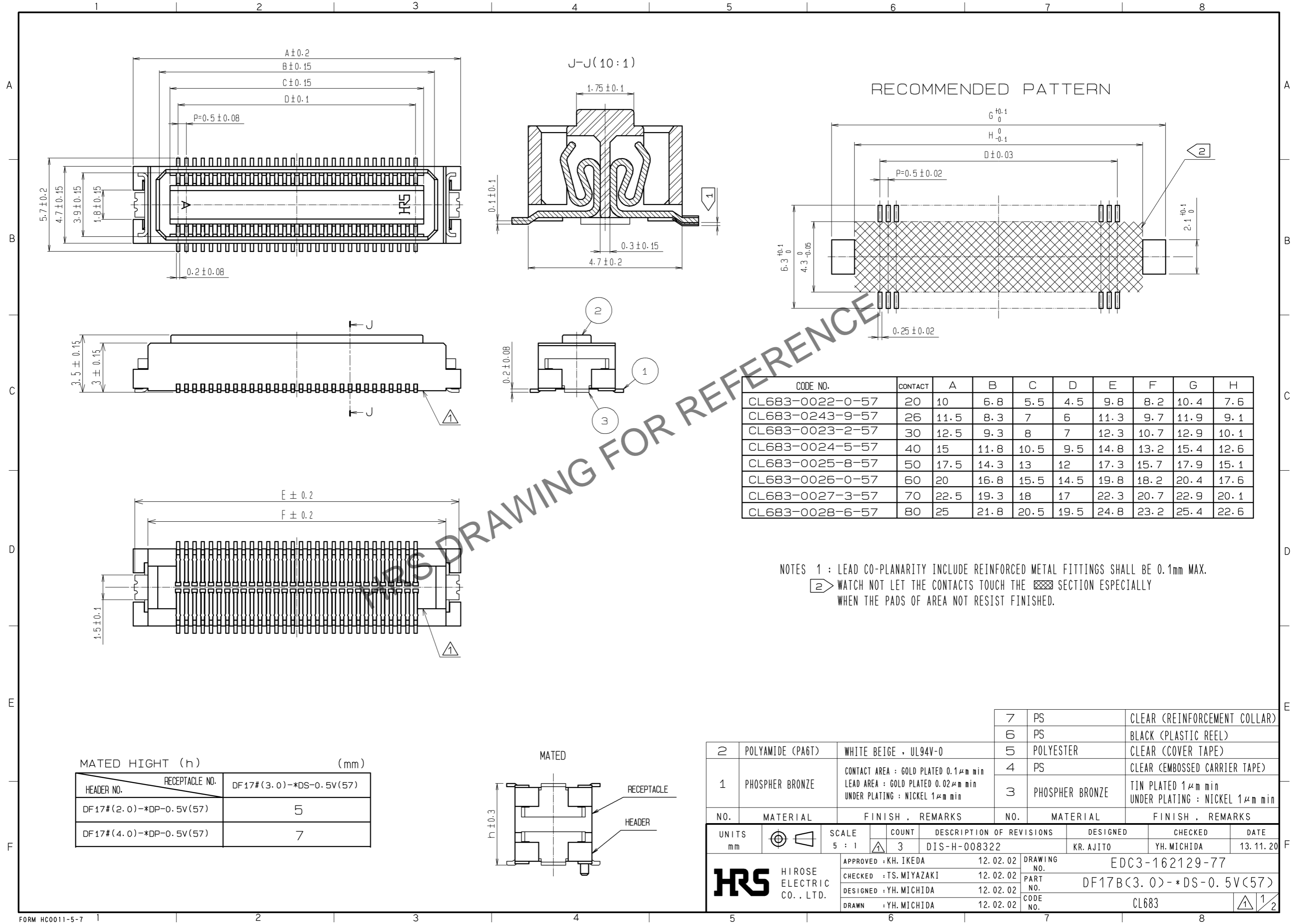


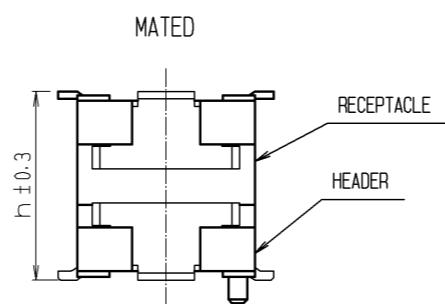
Apr.1.2025 Copyright 2025 HIROSE ELECTRIC CO., LTD. All Rights Reserved.  
 In case of consideration for using Automotive equipment / device which demand high reliability, kindly contact our sales window correspondents.



CODE NO.	CONTACT	A	B	C	D	E	F	G	H
CL683-0022-0-57	20	10	6.8	5.5	4.5	9.8	8.2	10.4	7.6
CL683-0243-9-57	26	11.5	8.3	7	6	11.3	9.7	11.9	9.1
CL683-0023-2-57	30	12.5	9.3	8	7	12.3	10.7	12.9	10.1
CL683-0024-5-57	40	15	11.8	10.5	9.5	14.8	13.2	15.4	12.6
CL683-0025-8-57	50	17.5	14.3	13	12	17.3	15.7	17.9	15.1
CL683-0026-0-57	60	20	16.8	15.5	14.5	19.8	18.2	20.4	17.6
CL683-0027-3-57	70	22.5	19.3	18	17	22.3	20.7	22.9	20.1
CL683-0028-6-57	80	25	21.8	20.5	19.5	24.8	23.2	25.4	22.6

NOTES 1 : LEAD CO-PLANARITY INCLUDE REINFORCED METAL FITTINGS SHALL BE 0.1mm MAX.  
 2 WATCH NOT LET THE CONTACTS TOUCH THE SECTION ESPECIALLY WHEN THE PADS OF AREA NOT RESIST FINISHED.

MATED HIGHT (h)		(mm)
HEADER NO.	RECEPTACLE NO.	
DF17#(2.0)-*DP-0.5V(57)	DF17#(3.0)-*DS-0.5V(57)	5
DF17#(4.0)-*DP-0.5V(57)		7



NO.	MATERIAL	FINISH . REMARKS	NO.	MATERIAL	FINISH . REMARKS
2	POLYAMIDE (PA6T)	WHITE BEIGE , UL94V-0	7	PS	CLEAR (REINFORCEMENT COLLAR)
1	PHOSPHER BRONZE	CONTACT AREA : GOLD PLATED 0.1μm min LEAD AREA : GOLD PLATED 0.02μm min UNDER PLATING : NICKEL 1μm min	6	PS	BLACK (PLASTIC REEL)
			5	POLYESTER	CLEAR (COVER TAPE)
			4	PS	CLEAR (EMBOSSED CARRIER TAPE)
			3	PHOSPHER BRONZE	TIN PLATED 1μm min UNDER PLATING : NICKEL 1μm min

UNITS	SCALE	COUNT	DESCRIPTION OF REVISIONS	DESIGNED	CHECKED	DATE
mm	5 : 1	3	DIS-H-008322	KR. AJITO	YH. MICHIDA	13. 11. 20

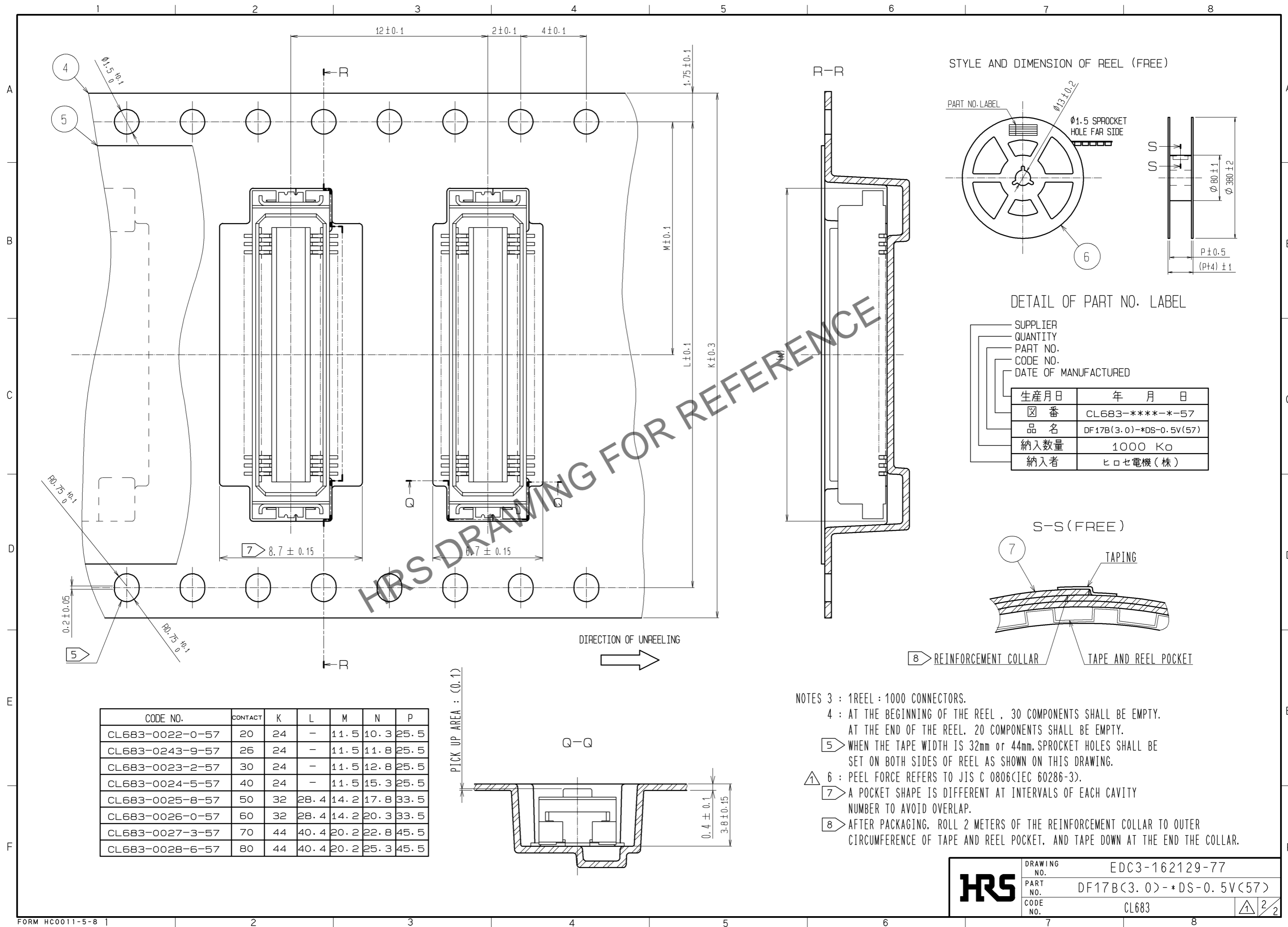
  

APPROVED	CHECKED	DESIGNED	DRAWN	DATE
KH. IKEDA	TS. MIYAZAKI	YH. MICHIDA	YH. MICHIDA	12. 02. 02

DRAWING NO.	PART NO.	CODE NO.
EDC3-162129-77	DF17B(3.0)-*DS-0.5V(57)	CL683

Apr.1.2025 Copyright 2025 HIROSE ELECTRIC CO., LTD. All Rights Reserved.  
In case of consideration for using Automotive equipment / device which demand high reliability, kindly contact our sales window correspondents.



CODE NO.	CONTACT	K	L	M	N	P
CL683-0022-0-57	20	24	-	11.5	10.3	25.5
CL683-0243-9-57	26	24	-	11.5	11.8	25.5
CL683-0023-2-57	30	24	-	11.5	12.8	25.5
CL683-0024-5-57	40	24	-	11.5	15.3	25.5
CL683-0025-8-57	50	32	28.4	14.2	17.8	33.5
CL683-0026-0-57	60	32	28.4	14.2	20.3	33.5
CL683-0027-3-57	70	44	40.4	20.2	22.8	45.5
CL683-0028-6-57	80	44	40.4	20.2	25.3	45.5

