

4.3-10 Male Low PIM Snap-On Connector Solder Attachment for SPP-250-LLPL, SPO-250, SPF-250



TC-250-4310MS-LP-LC

Configuration

- Snap-On 4.3-10 Male Connector
- 50 Ohms
- Straight Body Geometry
- SPP-250-LLPL, SPF-250, SPO-250 Interface Type
- Solder/Solder Attachment
- Low PIM Design

Features

- Operating Frequency up to 6 GHz
- VSWR Rating of 1.25:1
- PIM levels better than -160 dBc
- Brass Contact with 196 µm Silver Plating

Applications

- General Purpose Test
- Wireless Communications
- Custom Cable Assemblies
- Low PIM Applications
- Distributed Antenna Systems (DAS)

Description

L-com's 4.3-10 Male Low PIM Snap-On Connector Solder Attachment for SPP-250-LLPL, SPO-250, SPF-250 uses a solder/solder attachment method. This 4.3-10 connector is one of the many RF coaxial connectors available in L-com's product line and like all our products, ships the same day of purchase. Our 4.3-10 Male connector operates up to a maximum frequency of 6 GHz.

The specifications and a basic dimensional drawing for TC-250-4310MS-LP-LC 4.3-10 Male can be found in this datasheet PDF. L-com's portfolio of RF and microwave connectors allows users to choose from a large number of options when building connectorized cable assemblies to fit their RF interconnect needs. RF cables can be created to fulfill many interconnect applications ranging from In the Box hookup, to connectivity with test equipment or as part of a system installation. In addition to our offering of RF connectors and coaxial cable, L-com also offers both standard and custom cable assemblies to fit your specific needs.

Electrical Specifications

Description	Minimum	Typical	Maximum	Units
Frequency Range	DC		6	GHz
VSWR			1.25:1	
Insertion Loss			0.25	dB
Passive Intermodulation			-160	dBc
Operating Voltage (DC)			1,000	Vdc
Insulation Resistance	5,000			MOhms

Performance by Frequency

Click the following link (or enter part number in "SEARCH" on website) to obtain additional part information including price, inventory and certifications:
[4.3-10 Male Low PIM Snap-On Connector Solder Attachment for SPP-250-LLPL, SPO-250, SPF-250 TC-250-4310MS-LP-LC](#)

4.3-10 Male Low PIM Snap-On Connector Solder Attachment for SPP-250-LLPL, SPO-250, SPF-250



TC-250-4310MS-LP-LC

Description	F1	F2	F3	F4	F5	Units
Frequency Range	DC to 3	3 to 6				GHz
VSWR, Max	1.15:1	1.25:1				

Electrical Specification Notes:
Insertion Loss is $0.1 \cdot \sqrt{FGHz}$

Mechanical Specifications

Size

Length	1.125in	[28.58mm]
Width/Dia.	0.99in	[25.15mm]
Mating Cycles	500Cycles	
Mating Torque	44.25in-lbs	[5.00Nm]

Material Specifications

Description	Material	Plating
Contact	Brass	Silver 196 µin
Insulation	PTFE	
Body	Brass	Tri-Metal 78 µin
Coupling Nut	Brass	Tri-Metal 78 µin
Gasket	Silicone	

Environmental Specifications

Temperature

Operating Range	-55°C to +85°C
Shock	MIL-STD 202G, Method 213, Condition I
Vibration	MIL-STD 202G, Method 204, Condition B
Thermal Shock	MIL-STD 202G, Method 107, Condition B

Click the following link (or enter part number in "SEARCH" on website) to obtain additional part information including price, inventory and certifications:
[4.3-10 Male Low PIM Snap-On Connector Solder Attachment for SPP-250-LLPL, SPO-250, SPF-250 TC-250-4310MS-LP-LC](#)

4.3-10 Male Low PIM Snap-On Connector Solder Attachment for SPP-250-LLPL, SPO-250, SPF-250



TC-250-4310MS-LP-LC

Compliance Certifications (see [product page](#) for current document)

Plotted and Other Data

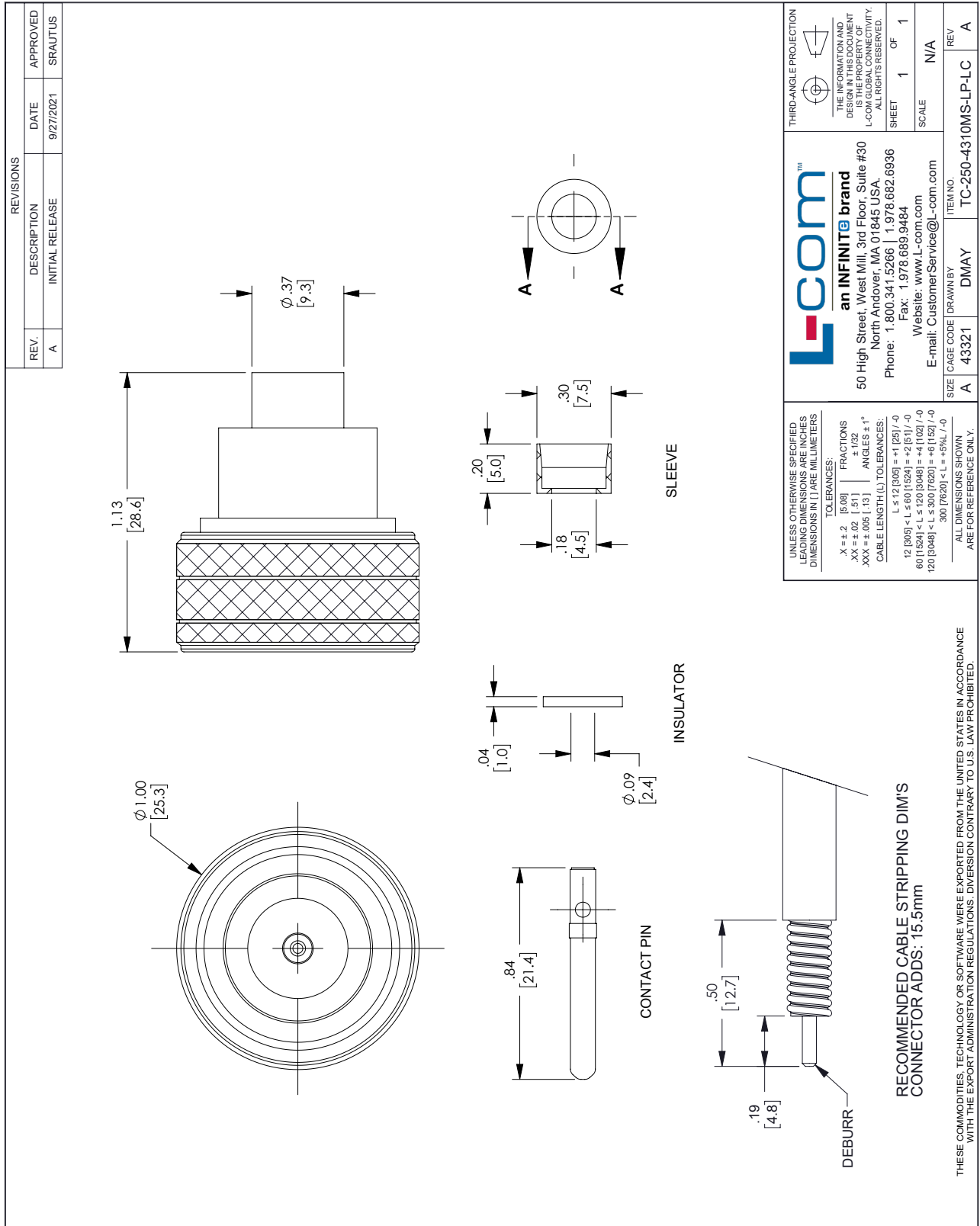
4.3-10 Male Low PIM Snap-On Connector Solder Attachment for SPP-250-LLPL, SPO-250, SPF-250 from L-com has same day shipment for domestic and International orders. Our portfolio includes coaxial cable assemblies, connectors, adapters and custom products as well as lightning and surge protectors, NEMA rated enclosures, and an RF product line which includes antennas, amplifiers, passive, and active components. Click the following link (or enter part number in "SEARCH" on website) to obtain additional part information including price, inventory and certifications: 4.3-10 Male Low PIM Snap-On Connector Solder Attachment for SPP-250-LLPL, SPO-250, SPF-250 TC-250-4310MS-LP-LC

URL: <https://www.l-com.com/4.3-10-male-low-pim-snap-on-connector-solder-attachment-spp-250-llpl-spo-250-spf-250-tc-250-4310ms-lp-lc-p.aspx>

The information contained within this document is accurate to the best of our knowledge and representative of the part described herein. It may be necessary to make modifications to the part and/or the documentation of the part in order to implement improvements. L-com reserves the right to make such changes as required. Unless otherwise stated, all specifications are nominal. L-com does not make any representation or warranty regarding the suitability of the part described herein for any particular purpose, and L-com does not assume liability arising out of the use of any part or document.

4.3-10 Male Low PIM Snap-On Connector Solder Attachment for SPP-250-LLPL, SPO-250, SPF-250

L-com CAD Drawing



L-com™
an INFINIT® brand
 50 High Street, West Mill, 3rd Floor, Suite #30
 North Andover, MA 01845, USA
 Phone: 1.800.341.5266 | 1.978.682.6936
 Fax: 1.978.689.9484
 Website: www.L-com.com
 E-mail: CustomerService@L-com.com

THIRD-ANGLE PROJECTION

THE INFORMATION AND DESIGN SPECIFICATIONS ON THIS DRAWING ARE THE PROPERTY OF L-COM GLOBAL CONNECTIVITY. ALL RIGHTS RESERVED.
 SHEET 1 OF 1
 SCALE N/A

UNLESS OTHERWISE SPECIFIED LEADING DIMENSIONS ARE INCHES DIMENSIONS IN [] ARE MILLIMETERS

TOLERANCES:
 .X = ±.2 [5.08] FRACTIONS ± 1/32
 .XX = ±.02 [.51] ANGLES ± 1°
 .XXX = ±.005 [.13]
 CABLE LENGTH (L) TOLERANCES:
 L ≤ 12 [305] = +1.25 / -0
 12 [305] < L ≤ 60 [1524] = +2.61 / -0
 60 [1524] < L ≤ 120 [3048] = +4.102 / -0
 120 [3048] < L ≤ 300 [7620] = +6.1 [52] / -0
 300 [7620] < L = +5% / -0

ALL DIMENSIONS SHOWN ARE FOR REFERENCE ONLY.

SIZE A CAGE CODE 43321 DRAWN BY DMAY ITEM NO. TC-250-4310MS-LP-LC REV A