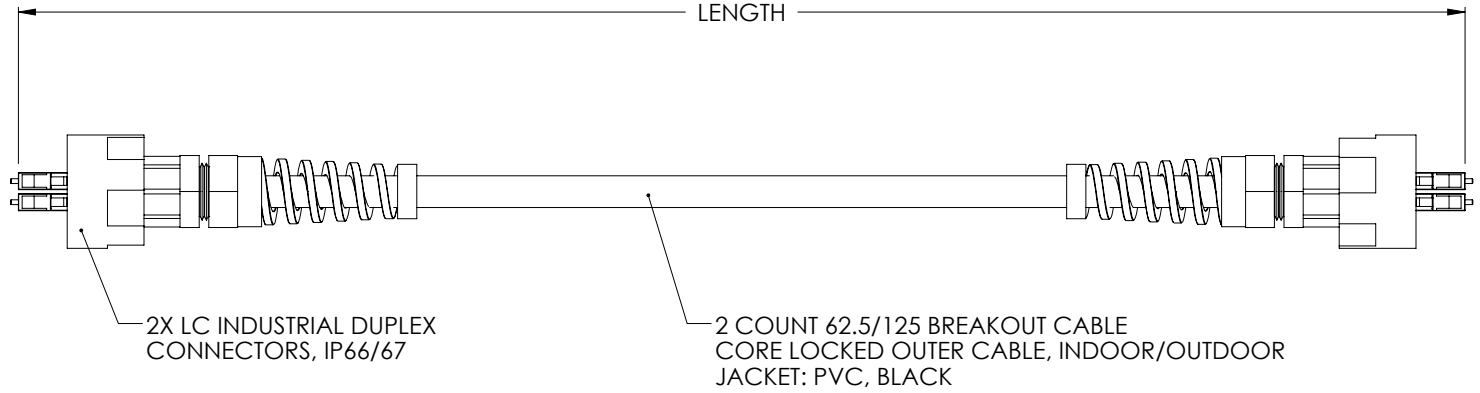


THE INFORMATION CONTAINED IN THIS DRAWING IS THE SOLE PROPERTY OF L-COM, INC. ANY REPRODUCTION IN PART OR WHOLE WITHOUT THE WRITTEN PERMISSION OF L-COM, INC. IS PROHIBITED.

REVISIONS			
REV	DESCRIPTION	DATE	APPROVED
A	DRAWING REPLACES FODLC-IND-OD1	10/1/14	D. CASTRO



PART NUMBER	LENGTH METERS [FEET]
FODLC-IND-01	1.0 [3.28]
FODLC-IND-03	3.0 [9.84]
FODLC-IND-05	5.0 [16.40]
FODLC-IND-10	10.0 [32.80]

NOTES:

1. LC CONNECTOR ASSEMBLY POLISH TYPE: PC
2. ALL CONNECTORS ACCOMPANIED WITH A DUST CAP INSTALLED (NOT SHOWN).
3. CABLE ASSEMBLY SHALL BE INDIVIDUALLY PACKAGED IN ACCORDANCE WITH L-COM SPECIFICATION PS-0031.

REGULATORY COMPLIANCE:
CE2011/65/EU (RoHS DIRECTIVE)

UNLESS OTHERWISE SPECIFIED, DIMENSIONS ARE IN INCHES [mm] OVERALL CABLE LENGTH TOLERANCE: ≤ 12 [305] = +1 [25] / -0 > 12 [305] ≤ 60 [1524] = +2 [51] / -0 > 60 [1524] ≤ 120 [3048] = +4 [102] / -0 > 120 [3048] ≤ 300 [7620] = +6 [152] / -0 > 300 [7620] = +5% / -0% ALL OTHER DIMENSIONAL TOLERANCES: .X = ± .2 [5.08] .XX = ± .02 [51] .XXX = ± .005 [1.27]	APPROVALS DRAWN BY C.MCCORMICK	DATE 06/26/2006	45 BEECHWOOD DRIVE NORTH ANDOVER, MA 01845
	CHECKED BY J.KIEZULAS	DATE 06/26/2006	
APPROVED BY D.PARHAM	DATE 06/26/2006	PRODUCT DESCRIPTION CA LC-LC 62.5/125 IND DPX	
PROJECTION 	CONFIGURATION DETAILS OF UNDIMENSIONED FEATURES MAY VARY	COLOR VARIATIONS MAY OCCUR	SCALE: NONE CAD FILE: FODLC-IND.SLDDRW SHEET 1 OF 1
SIZE A	FSCM NO. 43321	DWG. NO. FODLC-IND	REV. A