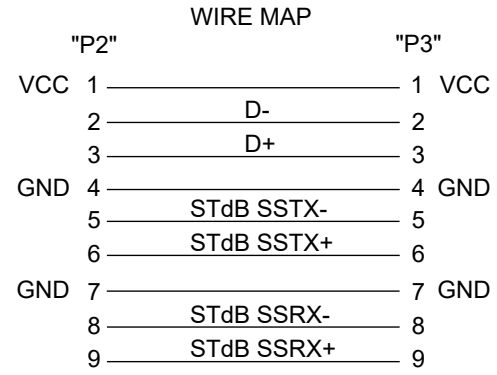
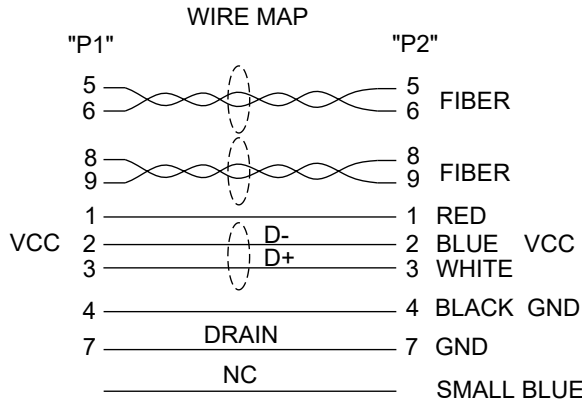
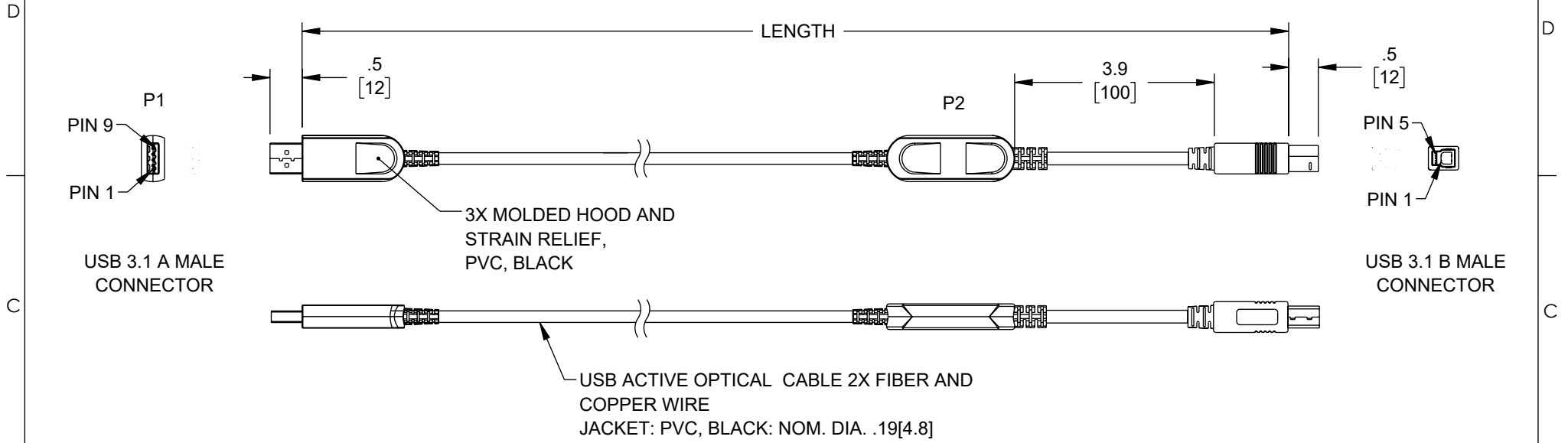


THE INFORMATION CONTAINED IN THIS DRAWING IS THE SOLE PROPERTY OF L-COM, INC. ANY REPRODUCTION IN PART OR WHOLE WITHOUT THE WRITTEN PERMISSION OF L-COM, INC. IS PROHIBITED.

REVISION					
ZONE	REV	DESCRIPTION	DATE	CHANGED BY	APPROVED
	B	ECO-12966	08/16/2023	HBAKKE	PHOSPODAR



NOTES:

- CABLE ASSEMBLIES SHALL BE TESTED FOR CONTINUITY
- CABLE ASSEMBLY SHALL BE INDIVIDUALLY PACKAGED IN ACCORDANCE WITH L-COM SPECIFICATION PS-0031.
- CABLE ASSEMBLY LENGTH DETERMINED BY P/N AS ILLUSTRATED: AOC-U31AMBM-BC-XXX (-XXX = OAL IN METERS)

REGULATORY COMPLIANCE:

EU RoHS DIRECTIVE (MOST RECENT RELEASED VERSION)

UNLESS OTHERWISE SPECIFIED, DIMENSIONS ARE IN INCHES [mm] OVERALL CABLE LENGTH TOLERANCE: ≤12 [305] = +1 [25] / -0 >12 [305] ≤60 [1524] = +2 [51] / -0 >60 [1524] ≤120 [3048] = +4 [102] / -0 >120 [3048] ≤300 [7620] = +6 [152] / -0 >300 [7620] = +5% / -0 ALL OTHER DIMENSIONAL TOLERANCES: .X = ± .2 [5] FRACTIONS ± 1/32 .XX = ± .02 [5] ANGLES ± 1° .XXX = ± .005 [13]	APPROVALS DRAWN BY: BPUCHASKI CHECKED BY: JJOHNSTON APPROVED BY: PHOSPODAR	DATE 06/22/2023 06/22/2023 06/22/2023	50 High Street, West Mill, North Andover, MA 01845 USA. Phone: 1.800.341.5266 1.978.682.6936	
	CONFIGURATION DETAILS OF UNDIMENSIONED FEATURES MAY VARY COLOR VARIATIONS MAY OCCUR	CATEGORY FIBER OPTICS		PRODUCT DESCRIPTION USB 3.1 Active Optical Cable, A male to B male, Backwards Compatible, PVC Jacket
THIRD-ANGLE PROJECTION 	SIZE A	CAGE CODE 43321	ITEM NO. AOC-U31AMBM-BC-XXX	REV. B
SCALE: NONE		CAD FILE: AOC-U31AMBM-BC.SLDDRW		SHEET 1 OF 1