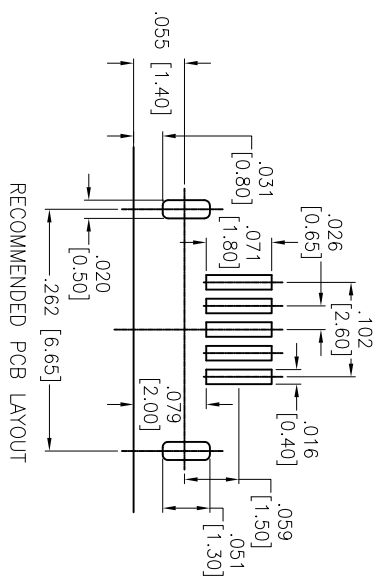
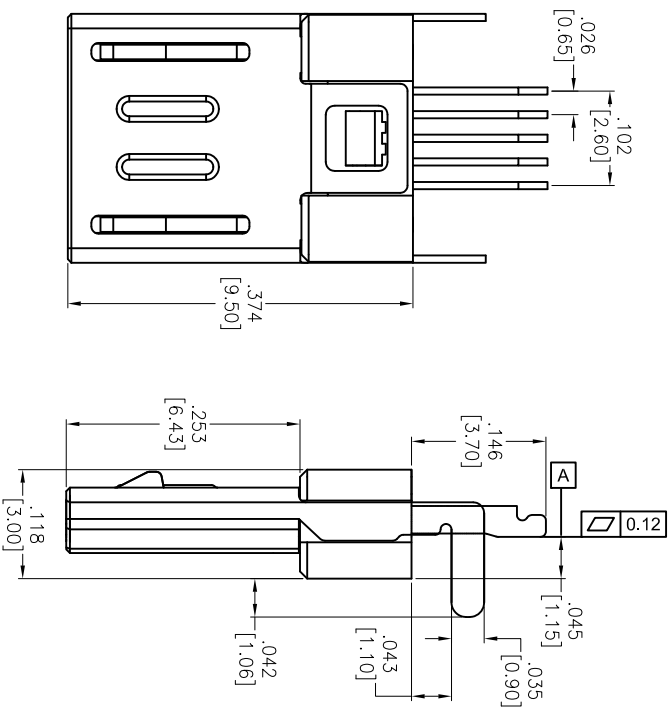
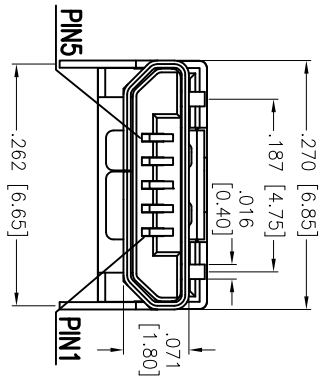


Rev	AWO #	Description	Date	Appr
-		RELEASED	10/21/13	

APPROVED: _____
 DATE: _____ TITLE: _____



SPECIFICATIONS:

Material:
 Insulator: Hi-Temp thermoplastic, rated UL 94V-0
 Insulator color: Black
 Contacts: Copper Alloy
 Shell: Stainless Steel, Nickel plated
 Hook: Stainless Steel
Plating:
 Gold flash over Nickel underplate on contact area,
 Tin over Copper underplate on tails.
Electrical:
 Operating voltage: 30 Volts
 Current rating: 1 Amp max.
 Contact resistance: 30 mohms max.
 Insulation resistance: 100 Mohms min. @ 500 VDC
 Dielectric withstanding voltage: 100 VAC for 1 minute
Temperature Rating:
 Operating temperature: -30°C to +80°C
Environmental:
 Lead free, RoHS compliant.

UNLESS OTHERWISE SPECIFIED ALL DIMENSIONS ARE MM	
TOLERANCES: EXCEPT AS NOTED	
INCHES	HOLES
.X ± .10	ØXX ± .10
.XX ± .020	ØXXX ± .015
.XXX ± .015	ØXXXX ± .010
APPROVALS	
DRAWN AY	10/21/13
CHECKED GH	10/21/13
APPROVED	

ADAM TECH	
909 Rahway Avenue, Union, NJ 07083	
Phone: 908-687-5000 Fax: 908-687-5710	
TITLE: MICRO USB B TYPE PLUG, 5P	
SIZE X	PART NO. MCR-B-MPLUG-CS4
REF: S00097C	SCALE: NTS
	SHEET 1 OF 1