

PRE-WIRED CAP FOR EXACT8, 6XM8, 4 POLE

10.0m PUR 12x0.34+2x0,75, UL/CSA

Art.No.: 8000-86149-3891000

Weight: 1.47

Country of origin: CZ

Model designation: MVP8N-ZH389 10.0M

for 6-way distribution box, 4-pole

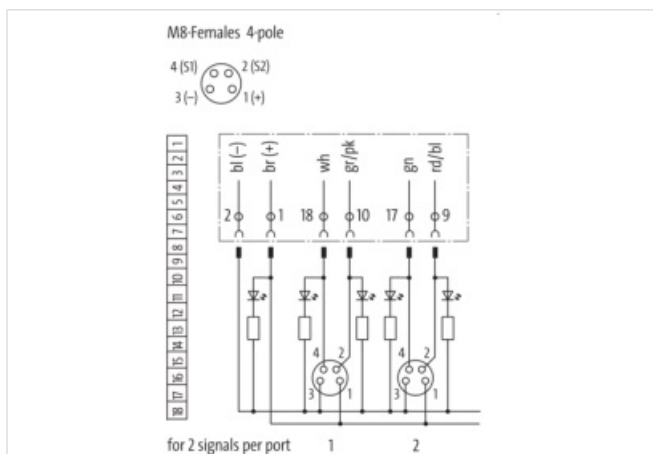
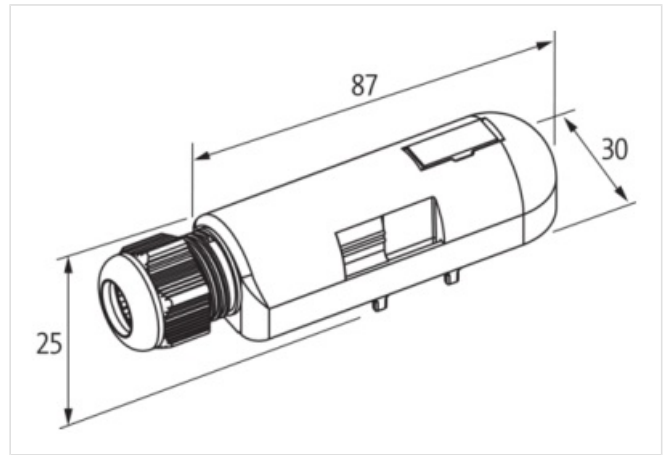
Further cable lengths on request.

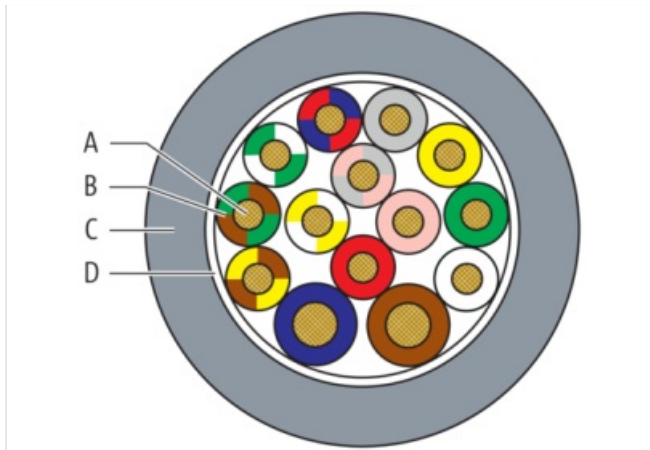
Plastic housings with good resistance against chemicals and oils.

The resistance to aggressive media should be individually tested for your application. Further details on request.

[Link to Product](#)

Illustration





Product may differ from Image

**Header**

Material short text MVP8N-ZH389 10.0M

Commercial data

| | |
|-----------------------|---|
| URL Webshop | https://shop.murrelektronik.com/8000-86149-3891000 |
| GTIN | 4048879054829 |
| ECLASS-6.0 | 27143423 |
| ECLASS-6.1 | 27279219 |
| ECLASS-7.0 | 27279219 |
| ECLASS-7.1 | 27279219 |
| ECLASS-8.0 | 27279219 |
| ECLASS-8.1 | 27279219 |
| ECLASS-9.0 | 27440108 |
| ECLASS-9.1 | 27440108 |
| ECLASS-10.0.1 | 27440108 |
| ECLASS-10.1 | 27440108 |
| ECLASS-11.0 | 27440108 |
| ECLASS-11.1 | 27440108 |
| ECLASS-12.0 | 27440108 |
| ECLASS-13.0 | 27440108 |
| ECLASS-14.0 | 27440108 |
| ETIM-5.0 | EC002585 |
| ETIM-6.0 | EC002585 |
| ETIM-7.0 | EC002585 |
| ETIM-8.0 | EC002585 |
| customs tariff number | 85444290 |
| EAN | 4048879054829 |
| Packaging unit | 1 |

Electrical data | Supply

Total current max. 8 A

Device protection | Media

Flame resistance flame retardant

Mechanical data | Material data

The information in this Product-PDF has been compiled with the utmost care.

Liability for the correctness completeness and topicality of the information is restricted to gross negligence. Version: 2025-11-06

Murrelektronik GmbH | Grabenstraße 29 | 71570 Oppenweiler | Fon +49 (71 91) 47-0 | Fax +49 (71 91) 47-491000 | shop@murrelektronik.com | shop.murrelektronik.com

Material housing Plastic

Environmental characteristics | Climatic

| | |
|--|----------------------------|
| Operating temperature min. | -20 °C |
| Operating temperature max. | 80 °C |
| Additional condition temperature range | depending on cable quality |

Installation | Cable

| | |
|---|---|
| Cable identification | 389 |
| Cable Type | 3 |
| Function cable | Hybrid, Signal, Power |
| Amount stranding | 1 |
| Stranding | 4 Wires |
| Stranding factor min. | 51 mm |
| Stranding factor max. | 51 mm |
| Amount stranding (type 2) | 1 |
| Stranding (type 2) | 10 Wires |
| Stranding factor min. (type 2) | 100 mm |
| Stranding factor max. (type 2) | 100 mm |
| Banding | Fleece |
| Cable weight | 111 g/m |
| Material wire insulation | PP |
| Amount wires | 12 |
| Outer diameter insulation | 1.5 mm |
| Outer diameter tolerance core insulation | ± 0.05 mm |
| Shore hardness wire insulation | 70 ± 5 Shore D |
| Ingredient freeness wire insulation | LABS-free, CFC-free, cadmium-free, silicone-free, halogen-free, lead-free |
| Amount strands (wire) | 42 |
| Diameter of single wires | 0.1 mm |
| Conductor crosssection (wire) | 0.34 mm ² |
| Material conductor wire | Stranded copper wire, bare |
| Conductor type (wire) | strand class 6 |
| Material wire insulation (type 3) | PP |
| Outer diameter wire insulation (type 3) | 1.8 mm |
| Tolerance outer diameter wire insulation (type 3) | ± 0.05 mm |
| Shore hardness wire insulation (type 3) | 70 ± 5 Shore D |
| Ingredient freeness wire insulation (type 3) | LABS-free, CFC-free, cadmium-free, silicone-free, halogen-free, lead-free |
| Amount wires (type 3) | 2 |
| Amount strands wire (type 3) | 42 |
| Diameter of single wires (type 3) | 0.1 mm |
| Wire conductor cross section (type 3) | 0.75 mm ² |
| Material conductor wire (type 3) | Stranded copper wire, bare |
| Conductor type wire (type 3) | strand class 6 |
| Outer-diameter (jacket) | 9.5 mm |
| Tolerance outer diameter (sheath) | ± 5 % |
| Material jacket | PUR |
| Shore hardness jacket | 90 ± 5 Shore A |
| Freedom from ingredients (jacket) | LABS-free, CFC-free, cadmium-free, silicone-free, halogen-free, lead-free |
| Material property (jacket) | matte, good machinability, abrasion-resistant, low adhesion |
| Conductor resistance (wire) | 57 Ω/km @ 20 °C |
| Conductor resistance (wire type 3) | 26 Ω/km @ 20 °C |
| Max. rated voltage (conductor - ground) | 300 V |
| Max. rated voltage (conductor - conductor) | 500 V |
| Withstand voltage (wire - wire) | 2 kV @ 60 s |

The information in this Product-PDF has been compiled with the utmost care.

Liability for the correctness completeness and topicality of the information is restricted to gross negligence. Version: 2025-11-06

Murrelektronik GmbH | Grabenstraße 29 | 71570 Oppenweiler | Fon +49 (71 91) 47-0 | Fax +49 (71 91) 47-491000 | shop@murrelektronik.com | shop.murrelektronik.com

| | |
|--|--|
| Withstand voltage (wire - jacket) | 2 kV @ 60 s |
| Current load capacity (standard) | to DIN VDE 0298-4 |
| Current load capacity min. wire | 4 A |
| Current load capacity min. Wire (type 2) | 12 A |
| Min. operating temperature (static) | -40 °C |
| Max. operating temperature (static) | 80 °C / 90 °C @ 10000 h Operation |
| Operating temperature min. (dynamic) | -25 °C |
| Operating temperature max. (dynamic) | 80 °C / 90 °C @ 10000 h Operation |
| Operating temperature min. (drag chain) | -5 °C |
| Operating temperature max. (drag chain) | 60 °C |
| Oil resistance | ISO 19642-3 |
| Chemical resistance | ISO 19642-3 |
| Ozone resistance | IEC 60811-403 |
| UV resistance | UL 1581 § 1200 |
| Other resistances | resistant to microbes, resistant to hydrolysis, resistance to gasoline (ISO 19642-3), resistant to mineral oils, greases, machine and gear oils and cooling lubricants |
| Bending radius (fixed) | 7.5 × Outer diameter |
| Bending radius (dynamic) | 10 × Outer diameter |
| No. of bending cycles (C-track) | 5 Mio. @ 25 °C |
| Traversing distance (C-track) | 10 m @ 25 °C horizontal |
| Travel speed (C-track) | 3 m/s @ 25 °C |
| Acceleration (C-track) | 10 m/s ² @ 25 °C |

Connection type 3

| | |
|--------------------------|----------------|
| Family construction form | free cable end |
| No. of poles | 14 |
| Family construction form | free cable end |
| No. of poles | 18 |
| Color contact carrier | gray |
| Family construction form | M8 |
| No. of poles | 4 |
| Coding | A |
| Gender | female |
| Color contact carrier | black |
| PIN 1 | + |
| PIN 2 | S 2 |
| PIN 3 | - |
| PIN 4 | S 1 |