

MVP-METALL, 8XM12, 5POLE, PRE-WIRED CABLE

5.0m PUR 16x0,34+3X0.75, UL/CSA

Art.No.: 8000-58513-4010500

Weight: 1.45

Country of origin: CZ

Model designation: MVP12M-AN8F 401 5.0

5.0 m

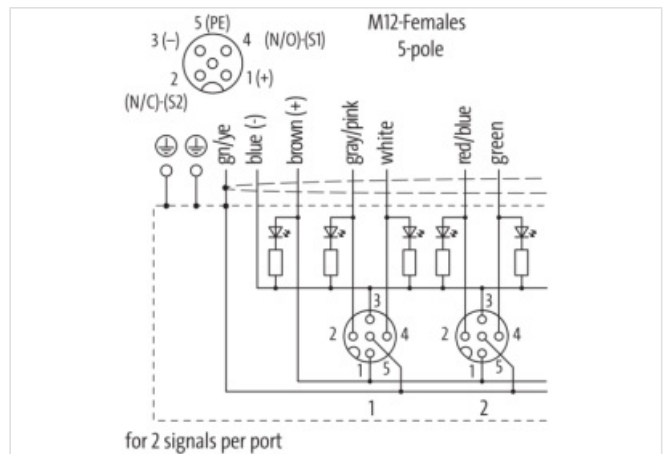
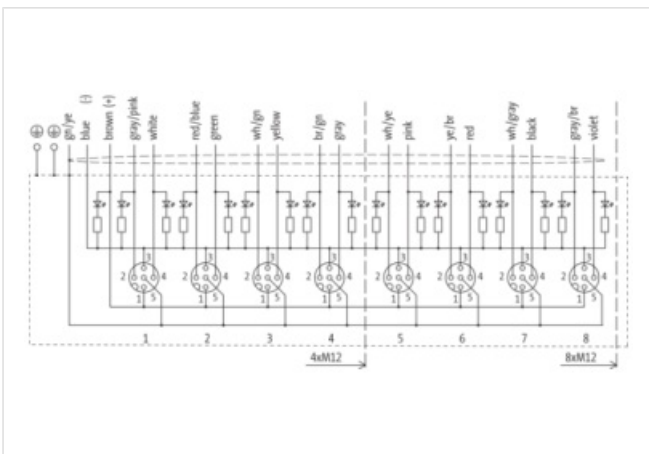
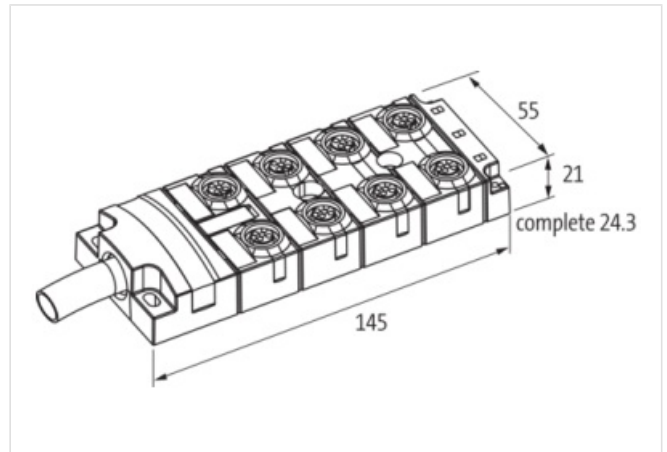
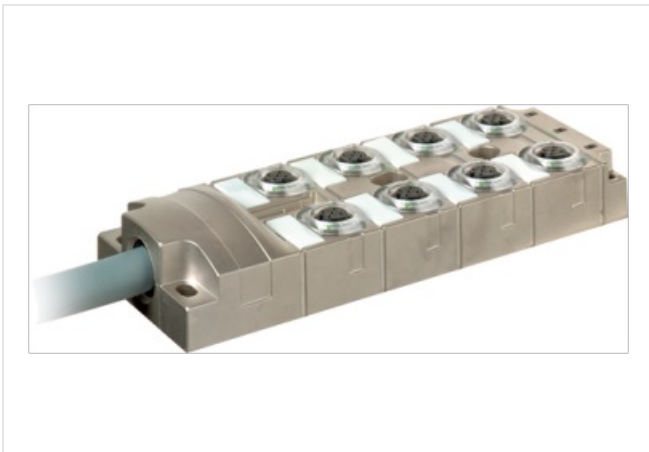
Replaces identical product (Art.No. 27512)

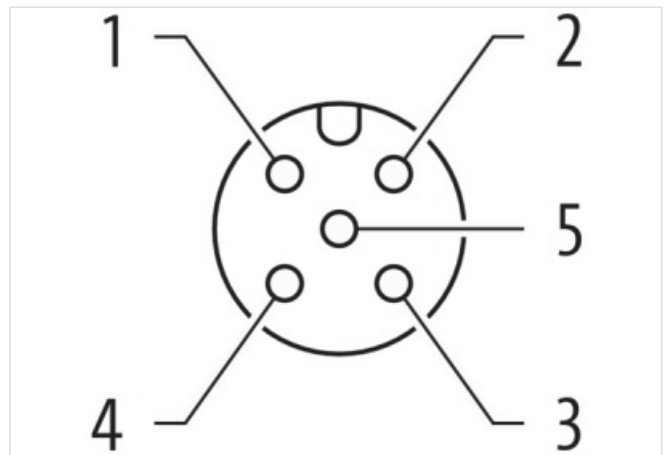
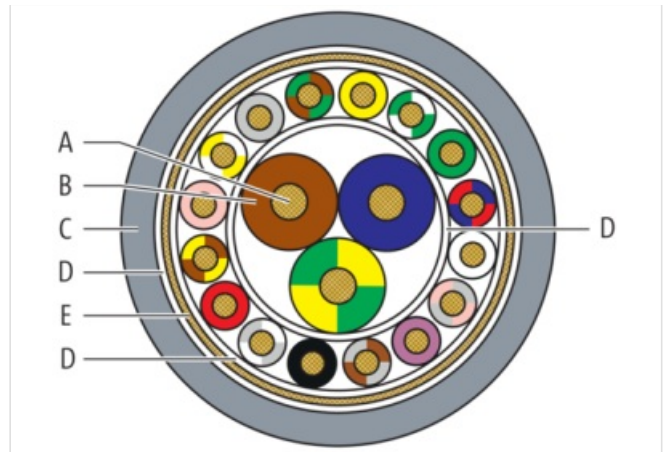
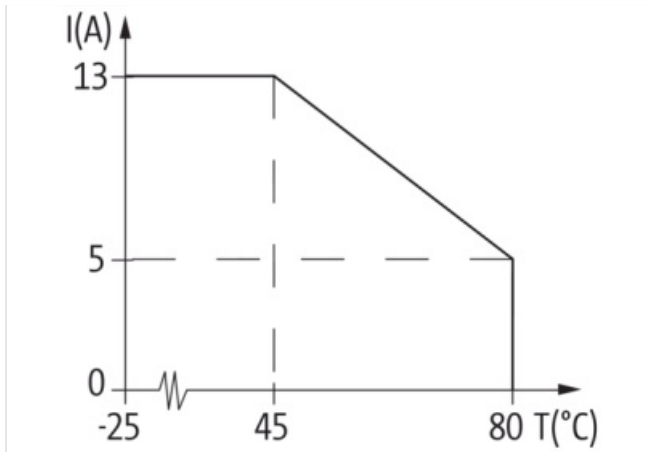
with LED for digital PNP-signals 24 V DC

Further cable lengths on request.

[Link to Product](#)

Illustration





Product may differ from Image



Header

Material short text MVP12M-AN8F 401 5.0

Commercial data

URL Webshop	https://shop.murrelektronik.com/8000-58513-4010500
GTIN	4048879352093
ECLASS-6.0	27279219
ECLASS-6.1	27279219
ECLASS-7.0	27279219
ECLASS-7.1	27279219
ECLASS-8.0	27279219
ECLASS-8.1	27279219
ECLASS-9.0	27440108
ECLASS-9.1	27440108
ECLASS-10.0.1	27440108
ECLASS-10.1	27440108
ECLASS-11.0	27440108
ECLASS-11.1	27440108
ECLASS-12.0	27440108

ECLASS-13.0	27440108
ECLASS-14.0	27440108
ETIM-5.0	EC002585
ETIM-6.0	EC002585
ETIM-7.0	EC002585
ETIM-8.0	EC002585
customs tariff number	85444290
EAN	4048879352093
Packaging unit	1

Electrical data | Supply

Operating voltage DC	24 V
Current operating per contact max.	4 A

Installation | Connection

Mounting set	M12 x 1
--------------	---------

Device protection | Electrical

Degree of protection (EN IEC 60529)	IP67, IP68, IP65
-------------------------------------	------------------

Mechanical data | Material data

Material housing	Zinc die-casting
Coating housing	Nickel

Mechanical data | Mounting data

Mounting method	Schraubgewinde
-----------------	----------------

Environmental characteristics | Climatic

Operating temperature min.	-25 °C
Operating temperature max.	90 °C
Additional condition temperature range	depending on cable quality

Installation | Cable

Cable identification	401
Cable Type	3
Function cable	Hybrid, Signal, Power
Amount stranding	1
Stranding	Wires
Amount stranding (type 2)	1
Stranding (type 2)	Wires
Cable shielding (type)	copper braid, tinned
Cable shielding (coverage)	80 %
Banding	Fleece
Wire arrangement	brown, blue, green-yellow, (, gray-pink, violet, brown-gray, black, gray-white, red, brown-yellow, pink, yellow-white, gray, brown-green, yellow, green-white, green, red-blue, white,)
Cable weight	237.6 g/m
Material wire insulation	PP
Amount wires	3
Outer diameter insulation	2.6 mm
Outer diameter tolerance core insulation	± 0.1 mm
Shore hardness wire insulation	55
Ingredient freeness wire insulation	LABS-free, CFC-free, cadmium-free, silicone-free, halogen-free, lead-free
Amount strands (wire)	96
Diameter of single wires	0.1 mm
Conductor crosssection (wire)	0.75 mm ²
Material conductor wire	Stranded copper wire, bare
Conductor type (wire)	strand class 6
Material wire insulation (type 3)	PP
Outer diameter wire insulation (type 3)	1.3 mm

Tolerance outer diameter wire insulation (type 3)	± 0.1 mm
Shore hardness wire insulation (type 3)	55
Ingredient freeness wire insulation (type 3)	LABS-free, CFC-free, cadmium-free, silicone-free, halogen-free, lead-free
Amount wires (type 3)	16
Amount strands wire (type 3)	42
Diameter of single wires (type 3)	0.1 mm
Wire conductor cross section (type 3)	0.34 mm ²
Material conductor wire (type 3)	Stranded copper wire, bare
Conductor type wire (type 3)	strand class 6
Outer-diameter (jacket)	11.7 mm
Tolerance outer diameter (sheath)	± 5 %
Material jacket	PUR
Shore hardness jacket	85
Freedom from ingredients (jacket)	CFC-free, cadmium-free, silicone-free, halogen-free, lead-free
Material property (jacket)	matte, good machinability, abrasion-resistant, low adhesion
Conductor resistance (wire)	26 Ω/km @ 20 °C
Conductor resistance (wire type 3)	53 Ω/km @ 20 °C
Max. rated voltage (conductor - ground)	300 V
Max. rated voltage (conductor - conductor)	500 V
Withstand voltage (wire - wire)	2 kV @ 60 s
Withstand voltage (wire - jacket)	2 kV @ 60 s
Withstand voltage (wire - shield)	2 kV @ 60 s
Current load capacity (standard)	to DIN VDE 0298-4
Current load capacity min. wire	12 A
Current carrying capacity min. wire (type 3)	4 A
Min. operating temperature (static)	-40 °C
Max. operating temperature (fixed)	90 °C
Operating temperature min. (dynamic)	-40 °C
Operating temperature max. (dynamic)	90 °C
Bending radius (fixed)	10 × Outer diameter
Bending radius (dynamic)	12 × Outer diameter
No. of bending cycles (C-track)	5 Mio. @ 25 °C
Traversing distance (C-track)	1.8 m @ 25 °C horizontal
Travel speed (C-track)	2 m/s @ 25 °C
Acceleration (C-track)	5 m/s ² @ 25 °C

Connection type 2

Family construction form	free cable end
No. of poles	16
Family construction form	M12
No. of poles	5
Coding	A
Gender	female
Color contact carrier	black
PIN 1	+
PIN 2	NC S 2
PIN 3	-
PIN 4	NO S 1
PIN 5	PE