

MIRO TH 24VDC SK OPTO-COUPLER MODULE

IN: 50 VDC - OUT: 250 VAC / 0,5A

Art.No.: 52550

Weight: 0.024

Country of origin: CZ

Model designation: MIRO,TH,24VDC,SK

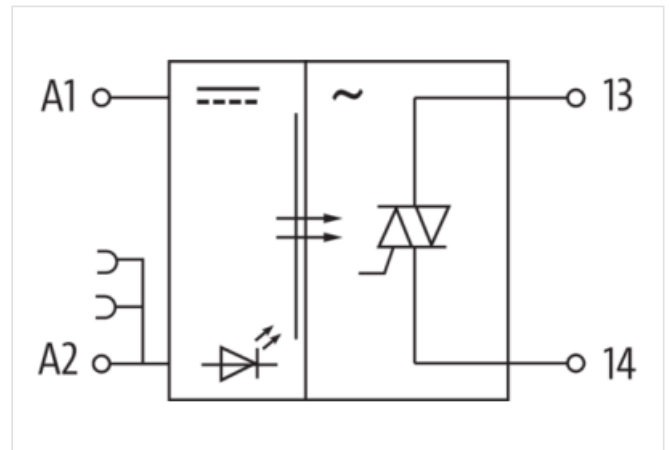
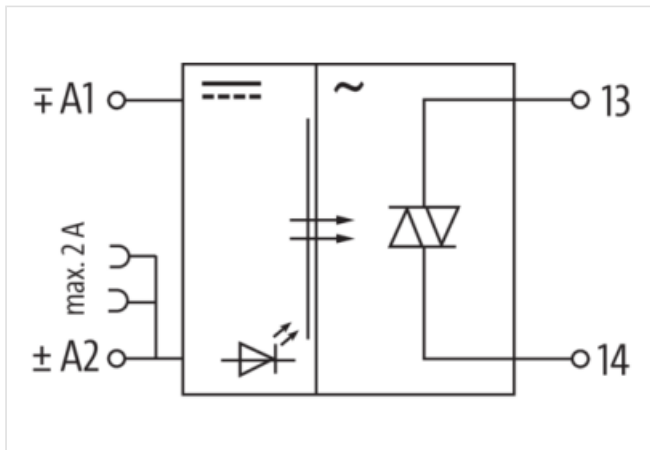
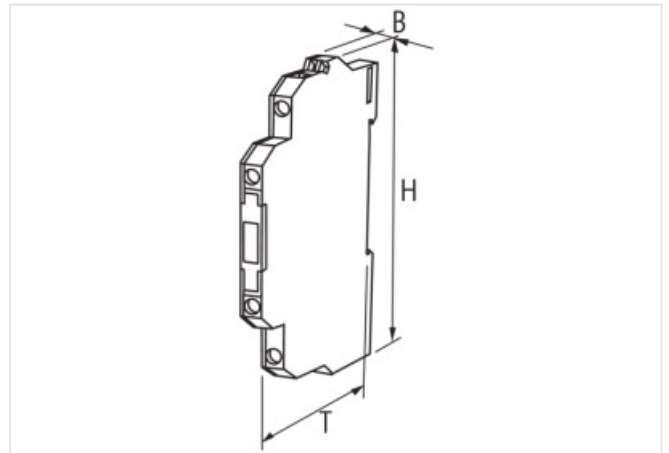
Triac 0.5 A

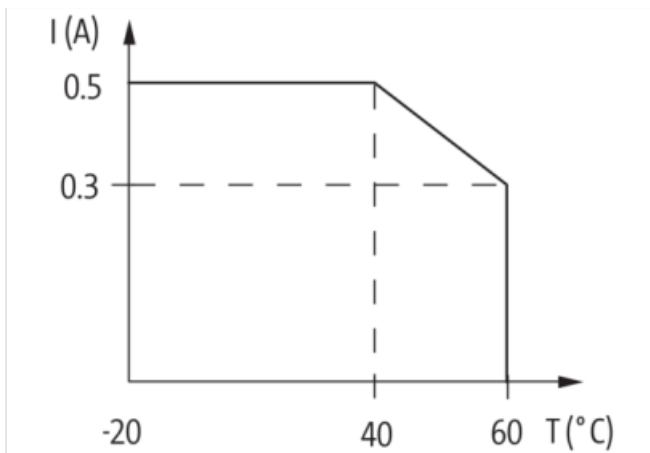
24 V DC

Screw terminals

[Link to Product](#)

Illustration





Product may differ from Image

**Header**

Material short text MIRO,TH,24VDC,SK

Commercial dataURL Webshop <https://shop.murrelektronik.com/52550>

GTIN 4048879026789

ECLASS-6.0 27371604

ECLASS-6.1 27371604

ECLASS-7.0 27371604

ECLASS-7.1 27371604

ECLASS-8.0 27371604

ECLASS-8.1 27371604

ECLASS-9.0 27371604

ECLASS-9.1 27371604

ECLASS-10.0.1 27371604

ECLASS-10.1 27371604

ECLASS-11.0 27371604

ECLASS-11.1 27371604

ECLASS-12.0 27371604

ECLASS-13.0 27371604

ECLASS-14.0 27371604

ETIM-5.0 EC001504

ETIM-6.0 EC001504

ETIM-7.0 EC001504

ETIM-8.0 EC001504

customs tariff number 85414900

EAN 4048879026789

Packaging unit 1

Electrical data | Input

Input voltage DC min. 10 V

Input voltage DC max. 53 V

Input voltage OFF DC min. 0 V

Input voltage OFF DC max. 5 V

Current input DC 7 mA

Electrical data Output	
Voltage drop AC max.	1.5 V
Quiescent current OFF max.	0.3 mA
Switch on delay max.	10 ms
Switch off delay max.	10 ms
Voltage switching AC min.	24 V
Switching voltage AC max.	250 V
Switching current min.	1.5 mA
Switching current max.	0.5 A
Switching frequency max.	20 Hz
Additional condition switching frequency	depending on wiring
Diagnostics	
Status indication LED	yellow
Device protection Electrical	
Rated surge voltage	2.5 kV
Device protection Media	
Flame resistance	flame retardant
Mechanical data Material data	
Material housing	Plastic
Color housing	black
Mechanical data Mounting data	
Height	78 mm
Width	6.2 mm
Depth	70 mm
Mounting method	geschnappt
Suitable for mounting type	(EN 60715), mounting rail
Environmental characteristics Climatic	
Operating temperature min.	-20 °C
Operating temperature max.	60 °C
Connection type 4	
Family construction form	terminal
No. of poles	1
Gender	female
Color contact carrier	black
Connection	Screw terminals SK
PIN 1	13
Family construction form	terminal
No. of poles	1
Gender	female
Color contact carrier	black
Connection	Screw terminals SK
PIN 1	14
Family construction form	terminal
No. of poles	1
Gender	female
Color contact carrier	black
Connection	Screw terminals SK
PIN 1	A 1
Family construction form	terminal
No. of poles	1
Gender	female

Color contact carrier	black
Connection	Screw terminals SK
PIN 1	A 2