

VALVE PLUG SUPPRESSOR FORM B - 10MM

Zener diode and LED, 24VDC/100VA/W

Art.No.: 3124873

Weight: 0.013

Country of origin: CZ

Model designation: DAB-LEDY + Z-DIODE 24 U

24 V AC/DC

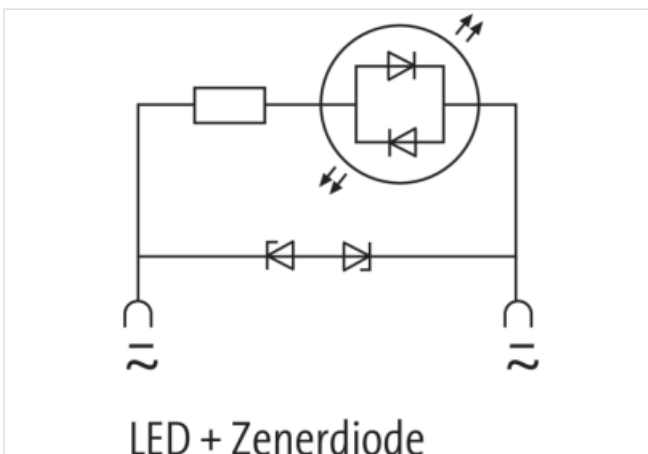
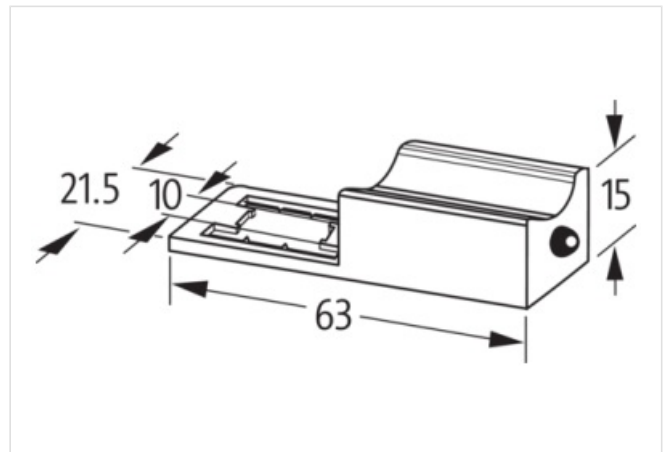
Z-Diode + LED

with suppression

Remove plug gasket when fitting adapter. Other LED colors on request.
suitable for 0 and 180° installation

Link to Product

Illustration



Product may differ from Image



Commercial data

URL Webshop

<https://shop.murrelektronik.com/3124873>

GTIN

4048879011495

ECLASS-6.0	27371013
ECLASS-6.1	27371013
ECLASS-7.0	27371013
ECLASS-7.1	27371013
ECLASS-8.0	27371013
ECLASS-8.1	27371013
ECLASS-9.0	27371013
ECLASS-9.1	27371013
ECLASS-10.0.1	27371013
ECLASS-10.1	27371013
ECLASS-11.0	27371013
ECLASS-11.1	27371013
ECLASS-12.0	27371013
ECLASS-13.0	27371013
ECLASS-14.0	27371013
ETIM-5.0	EC000683
ETIM-6.0	EC000683
ETIM-7.0	EC000683
ETIM-8.0	EC000683
EAN	4048879011495

Electrical data

Drop-out delay time max.	20 ms
Holding power max.	100 W

Electrical data | Supply

Cut-off peak voltage max.	55 V
---------------------------	------

Electrical data | Input

Input voltage AC min.	18 V
Input voltage AC max.	30 V
Input voltage DC min.	18 V
Input voltage DC max.	30 V

Diagnostics

Status indication LED	yellow
-----------------------	--------

Device protection | Media

Flame resistance	flame retardant
------------------	-----------------

Mechanical data | Material data

Material housing	PA
Color housing	black
Material contact	Bronze
Coating contact	silver-plated

Mechanical data | Mounting data

Height	15 mm
Width	63 mm
Depth	21.5 mm

Environmental characteristics | Climatic

Operating temperature min.	-20 °C
Operating temperature max.	60 °C
Housing temperature max. (EN 61347-2-13)	130 °C