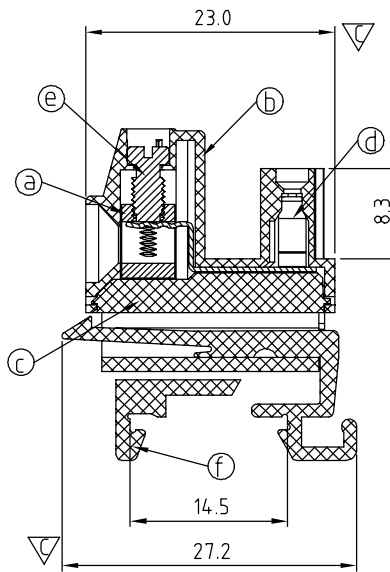
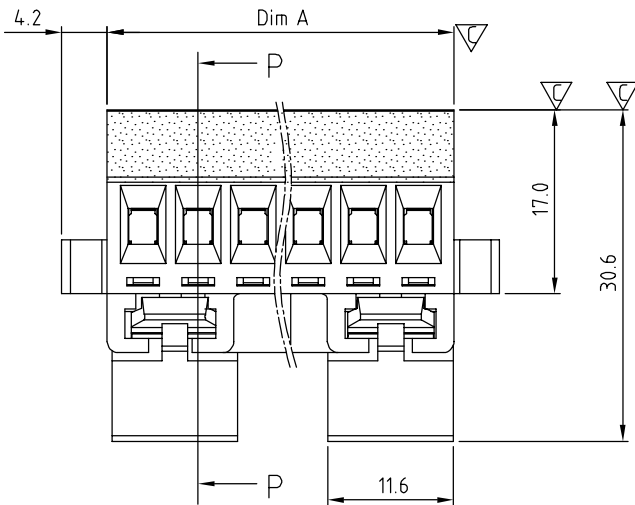


Dimension

Dim.A	$(N-1) \times 5.08 + 6.6$
Dim.B	$(N-1) \times 5.08$
Dim.C	$N \times 5.08$

N=Number of poles

Poles	Tolerance
2P - 6P	± 0.15
7P - 12P	± 0.20
13P - 18P	± 0.30
19P - 24P	± 0.40



SECTION P-P

SIGN	DATE	DESCRIPTION	APPROVER
△	11/09'11	Add is cULus	Aaron
△	11/09'11	The Dim.C is added	Aaron

THIS IS CAD DRAWING, DO NOT REVISE MANUALLY!!!

Material:

- Item (a) Clamp: Brass Ni plated
- Item (b) Terminal (housing): Thermoplastic (UL94V-0)
- Item (c) Terminal (Cover): Thermoplastic (UL94V-0)
- Item (d) Male contact: PhBz, Tin plated.
- Item (e) Terminal screw: Steel Zinc plating " - " slot type
- Item (f) Terminal(track): Thermoplastic (UL94V-0)
- Item (g) With flange nut: Brass M2.5

Electrical: cULus

- Voltage rating: 300V
- Current rating: 12A
- Wire range:
- Solid wire(AWG):12-30
- Stranded wire(AWG):12-30
- Torque:5.2Lb-In.
- Screw:M3
- Wire strip length: 6-7 mm
- Withstanding Voltage: 1.6KV
- Operating temperature:-40°C to +115°C

△ Safety Approval: cULus

● Critical dimension:

● Part No.:

V9 xx 51 x 3 xxxx G

No. OF POLES
02: 2 POLES
03: 3 POLES
:
24: 24 POLES

Color
0 Black (RAL9005)
5 Green(RAL6018/T)
6 Blue (RAL5015/A)
8 Grey(RAL7035/D)
C Green(RAL6018/U)

G: Pb<40000ppm
0000: "@ " Logo (Standard)
000A: "ANYTEK" Mark
Any special item by customer request.
please contact sales department.

ANYTEK

CUSTOMER COPY

ALL RIGHTS RESERVED. REPRODUCTION OR ISSUE TO THIRD PARTIES IN ANY FORM WHATSOEVER IS NOT PERMITTED WITHOUT WRITTEN AUTHORITY FROM THE PROPRIETOR. PROPERTY OF ANYTEK TECHNOLOGY CO., LTD

TITLE	V9-5.08 mm Series 2P-24P With Flange (Dinrail holder A type)				
PART NO.	V9xx51x3xxxxG		DWG NO.	8V90003	
APPROVED	CHECKED	DESIGNED	DRAWN	CUST NO.	Tolerance
		Aaron 2011.11.09	Tony 2008.01.19		X. ±0.50 X.X ±0.30 X.XX ±0.10 X° ±1°
				SHEET: 01/01	UNIT: mm SCALE: NONE REV.: C