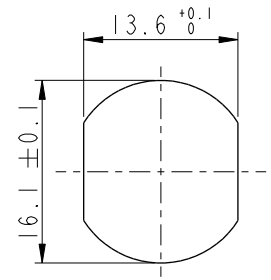


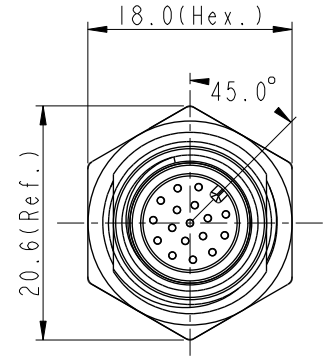
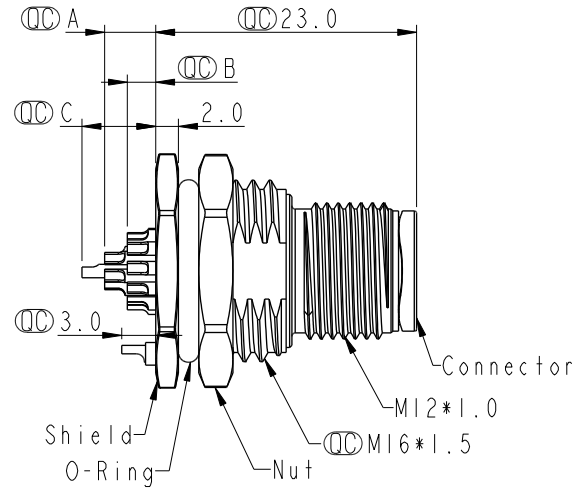
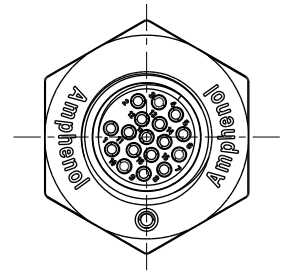
THIS DOCUMENT IS SUBJECT TO CHANGE WITHOUT NOTICE. IT IS CONFIDENTIAL AND A PROPERTY OF Amphenol LTW. DISCLOSURE TO THIRD PARTY HAS TO BE AUTHORIZED BY Amphenol LTW.

| REV. | ECN NO. | DATE | SIGN | DESCRIPTION |
|------|---------|------------|-------|-------------|
| F | C221973 | 2022/12/26 | Ruru | F XI |
| G | C231034 | 2023/08/09 | Ruru | G XI |
| H | C251212 | 2025/09/30 | Vicky | H XI |

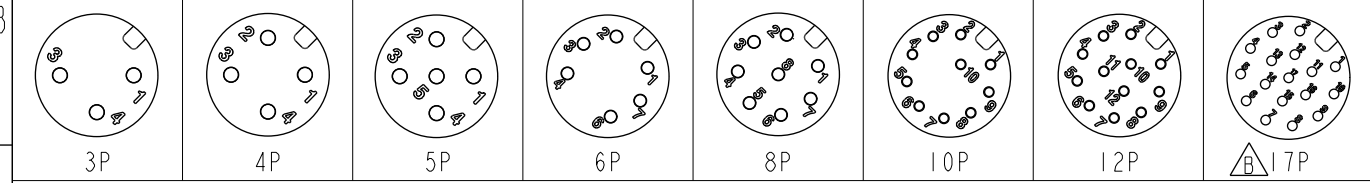


Recommended Panel Cut-Out

MSAS-XXPMMS-SF8002
 XX: No. Of Pin



| | | | |
|--------------------|---------|-----|-----|
| MSAS-03PMMS-SF8002 | | 2.5 | |
| MSAS-04PMMS-SF8002 | | 2.5 | |
| MSAS-05PMMS-SF8002 | | 2.5 | |
| MSAS-06PMMS-SF8002 | | 2.5 | |
| MSAS-08PMMS-SF8002 | | 2.5 | |
| MSAS-10PMMS-SF8002 | 4.5 | 2.5 | |
| MSAS-12PMMS-SF8002 | 4.5 | 2.5 | |
| MSAS-17PMMS-SF8002 | 4.5 | 2.5 | 6.5 |
| Item No. | A | B | C |
| | Pin伸出長度 | | |



Pin Assignment Front View

- Note:
- * RoHS Compliant
 - * Important dimension
 - * Waterproof rate: IP68, unmated 1m/24h
 IP69K, mated
 - * Connector
 Housing: Thermoplastic, Black
 Pin: Copper alloy, Gold plated
 - * Shield: Metal
 - * Nut: Metal
 - * O-Ring: Rubber, Black
 - * For panel thickness max: 4.5mm
 - * The Nut Is Packed Separately In The Bag

| | | | |
|---|---------------|---------------------|---|
| UNIT: mm | | | TITLE N SEN, M12 A -SHLD, SCREW RECEPTACLE, M, M, SOLDER |
| TOLERANCE .X ±0.25 .XX ±0.1 .XXX ±0.05 ANGLES ±1° | SCALE 1:1 | SIZE A4 | SHEET 1 OF 1 |
| REV. H | WC-REV. .0 | QC: Inspection item | |

Amphenol LTW
 安費諾亮泰企業股份有限公司

| | | |
|-------------------------------|---------------------|--------------------|
| ITEM NO. | DRAWN BY Vicky | DATE 2025-09-30 |
| DWG NO. MSAS-XXPMMS-SF8002 | CHECKED BY Ruru | DATE 2025-09-30 |
| CUSTOMER ALTW | APPROVED BY Rita | DATE 2025-09-30 |