

SIGN	DATE	DESCRIPTION	APPROVER
△			
THIS IS CAD DRAWING, DO NOT REVISE MANUALLY!!!			

Material:

- Item ① Terminal housing: Thermoplastic (UL94V-0)
- Item ② Pad board(With pillar): Thermoplastic (UL94V-0)
- Item ③ Pad board(With holder): Thermoplastic (UL94V-0)
- Item ④ Terminal housing(With pillar): Thermoplastic (UL94V-0)
- Item ⑤ Terminal(Left latch cover): Thermoplastic (UL94V-0)
- Item ⑥ Terminal(Right latch cover): Thermoplastic (UL94V-0)
- Item ⑦ Femlale contact: PhBz. Tin plated
- Item ⑧ Spring Clamp: Stainless steel

Electrical:

- Voltage rating: 300 V
- Current rating: 8 A
- Wire range:
- Solid wire(AWG): 12-28
- Stranded wire(AWG): 12-28
- Wire strip length: 8-9 mm
- Withstanding Voltage: 1.6KV
- Operating temperature: -40°C to +115°C
- Critical dimension: ▽

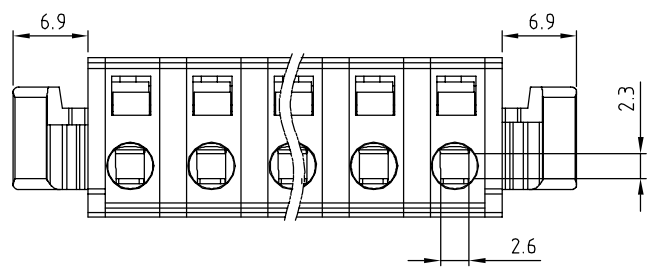
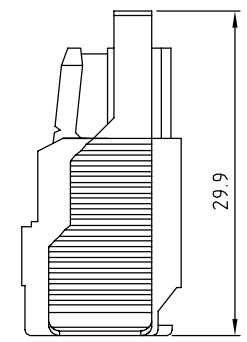
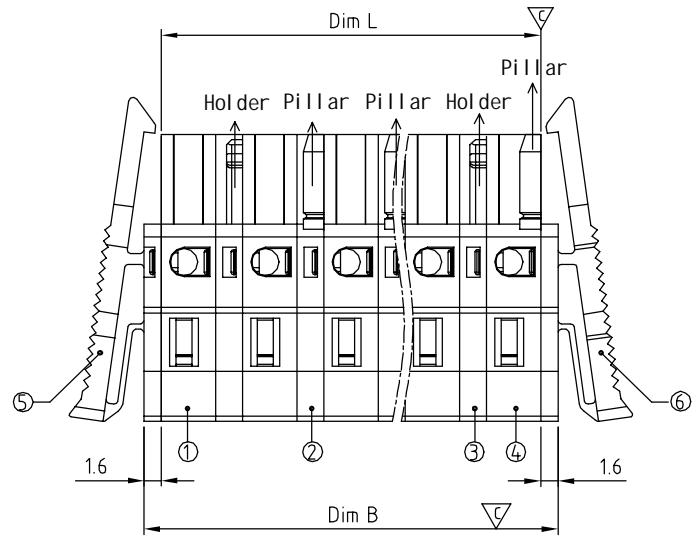
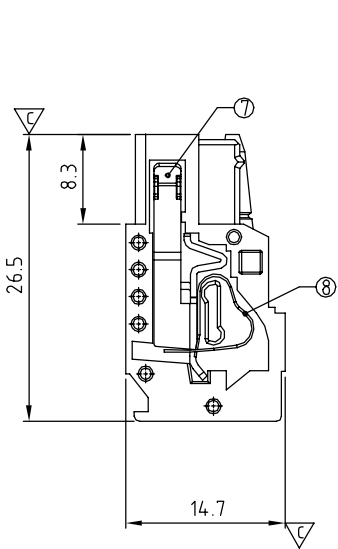
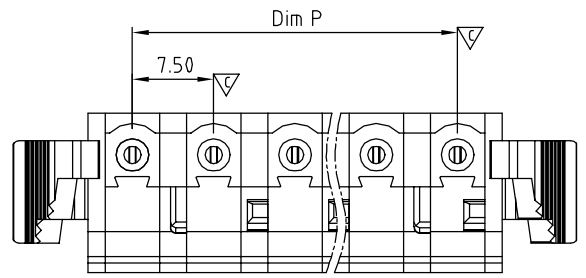
HI xx 2 1 x 3 xxxx G

No. OF POLES
02: 2 POLES
:
:
16: 16 POLES

COLOR

G: Pb<4000ppm
0000: Standard
Any special item by customer request.
please contact sales department.

0: BLACK (RAL 9005)
5: GREEN (RAL 6018/T)
6: BLUE (RAL 5015/A)
8: GREY (RAL 7035/D)



Layout of Holder and Pillar:

2P	Holder+Pillar
3P	Holder+Holder+Pillar
4P	Holder+Pillar+Holder+Pillar
5P	Holder+Pillar+Pillar+Holder+Pillar
5P over	Holder+Pillar+Pillar+Holder+Pillar

DIM	TOL				
	2P-4P	5P-8P	9P-12P	13P-16P	
Dim L	Nx7.5-2.5	±0.15	±0.25	±0.30	±0.40
Dim P	(N-1)×7.5	±0.15	±0.25	±0.30	±0.40
Dim B	Nx7.5+0.7	±0.15	±0.25	±0.30	±0.40

ANYTEK				CUSTOMER COPY			
ALL RIGHTS RESERVED. REPRODUCTION OR ISSUE TO THIRD PARTIES IN ANY FORM WHATEVER IS NOT PERMITTED WITHOUT WRITTEN AUTHORITY FROM THE PROPRIETOR. PROPERTY OF ANYTEK TECHNOLOGY CO. LTD							
TITLE		HI 7.5mm -With latch 100% protected against mismatching					
PART NO.		HIxx21x3xxxxG			DWG NO.		8HI0703
APPROVED		CHECKED	DESIGNED	DRAWN	CUST NO.		Tolerance
				Chen Bo 2011.05.31			X. ±0.50 X.X ±0.30 X.XX ±0.10 X° ±1°
		SHEET: 01/01		UNIT: mm SCALE: NONE		REV.: B	