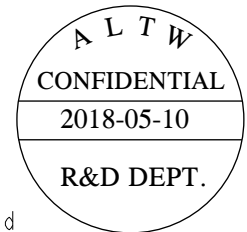
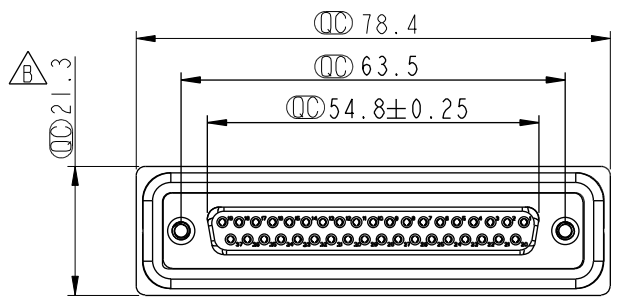
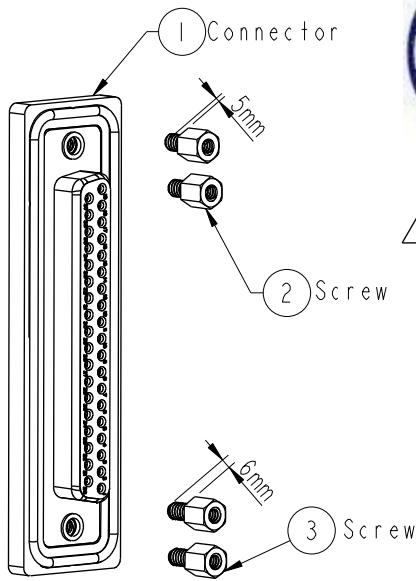
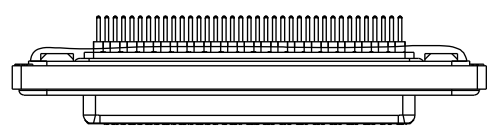
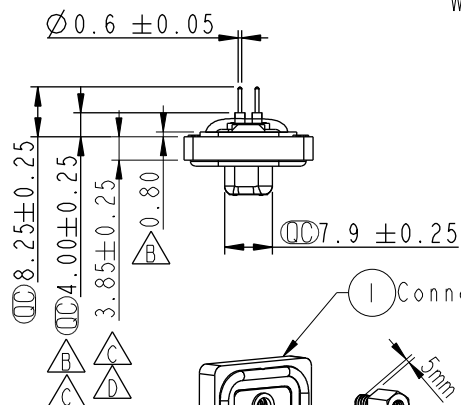
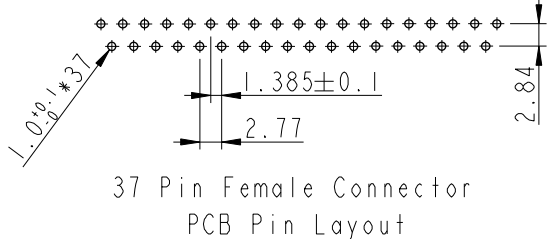


REV.	ECN NO.	DATE	SIGN	DESCRIPTION
B	LEN-980053	2009/08/04	Vicky	REF. TO ECR/N.NOTE.
C	LEN13B0247	2013/11/12	SAM	Change Dimension
D	LEN1860068	2018/05/10	Richard	Modify Dimension

With Liquid Glue

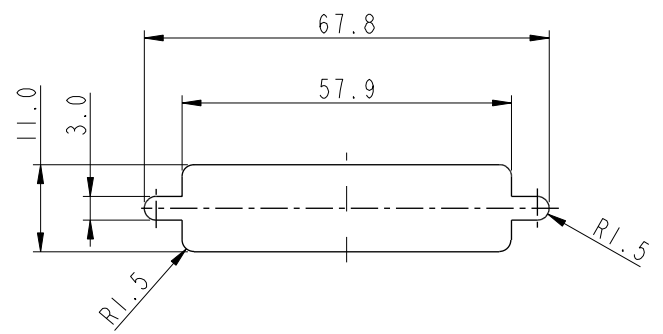


- Note:
- * \varnothing Important Dimension.
 - * Waterproof Rate: IP67
 - * Do Mating Test After Glued
點膠後，須作對插測試
 - * Housing: Nylon+GF, Black.
 - * Connector: PBT, Black.
 - * Female Pin: Copper Alloy, Gold Plated.
 - * Ring: Silicone, Light Blue.
 - * Screw: Copper Alloy, Nickel Plated, #4-40 UNC.



Screw L=5.0 For Panel Thickness Under 1.2mm
適用板厚為 1.2mm 以下

Screw L=6.0 For Panel Thickness Between 1.2~2.0mm
適用板厚為 1.2~2.0mm



Recommended Panel Cut-Out
建議挖孔尺寸

UNIT: mm	
TOLERANCE	
.X	±0.25
.XX	±0.1
.XXX	±0.05
ANGLES	±1°

TITLE D-SUB Conn. Panel Screw DB37P F Conn. F Pin			
SCALE 4:5	SIZE A4	SHEET 1 OF 1	
REV. D	WC-REV. A.5	\varnothing : Inspection item	

Amphenol LTW
安費諾亮泰企業股份有限公司

ITEM NO. SDB-37PFFP-SL7001	DRAWN BY Richard	DATE 2018-05-10
DWG NO. SDB-37PFFP-SL7001	CHECKED BY Neo	DATE 2018-05-10
CUSTOMER ALTW	APPROVED BY Max	DATE 2018-05-10

THIS DOCUMENT IS SUBJECT TO CHANGE WITHOUT NOTICE. IT IS CONFIDENTIAL AND A PROPERTY OF Amphenol LTW. DISCLOSURE TO THIRD PARTY HAS TO BE AUTHORIZED BY Amphenol LTW.