

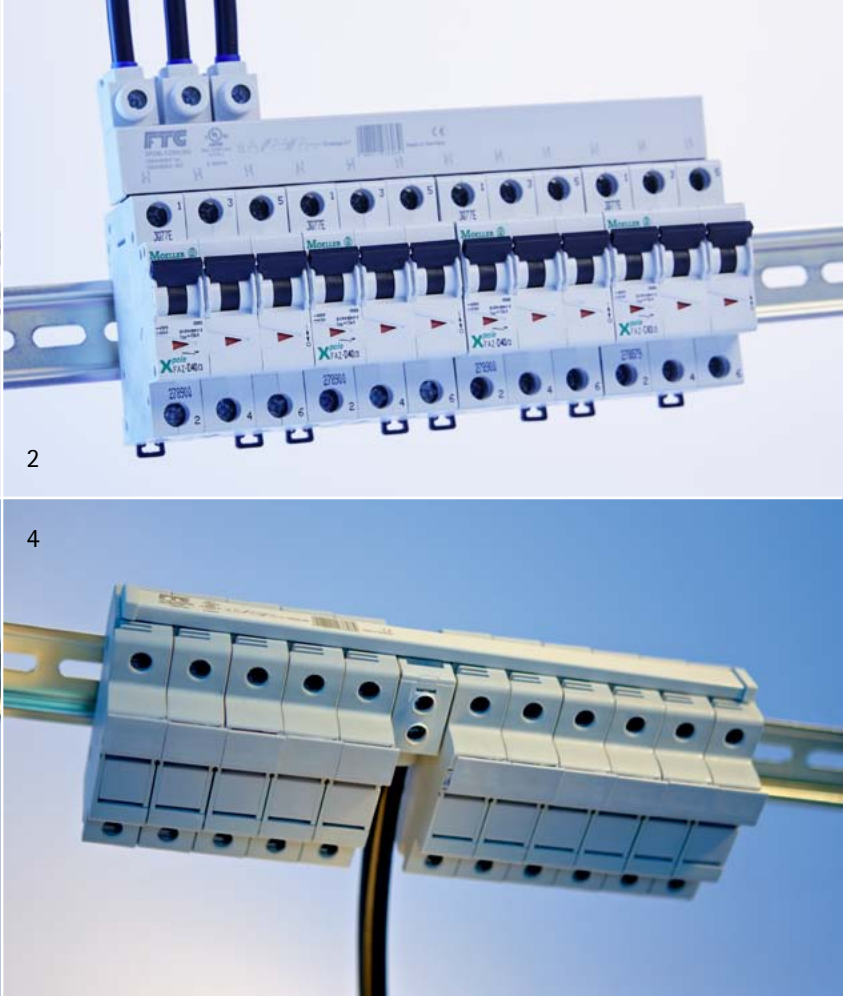
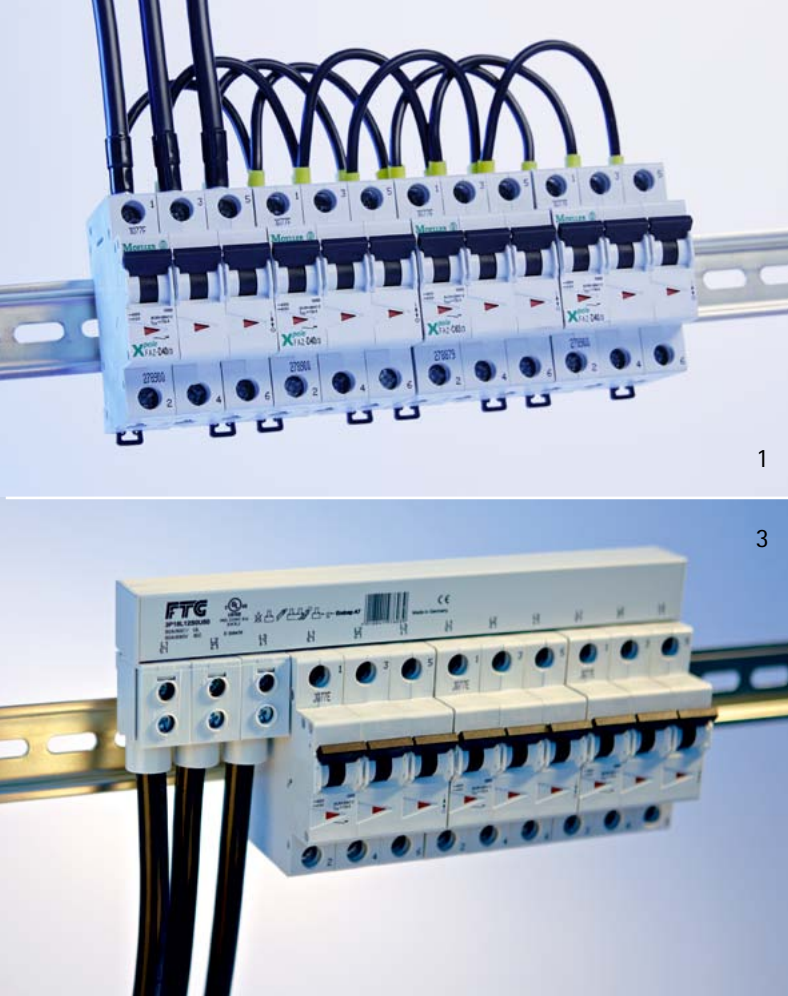
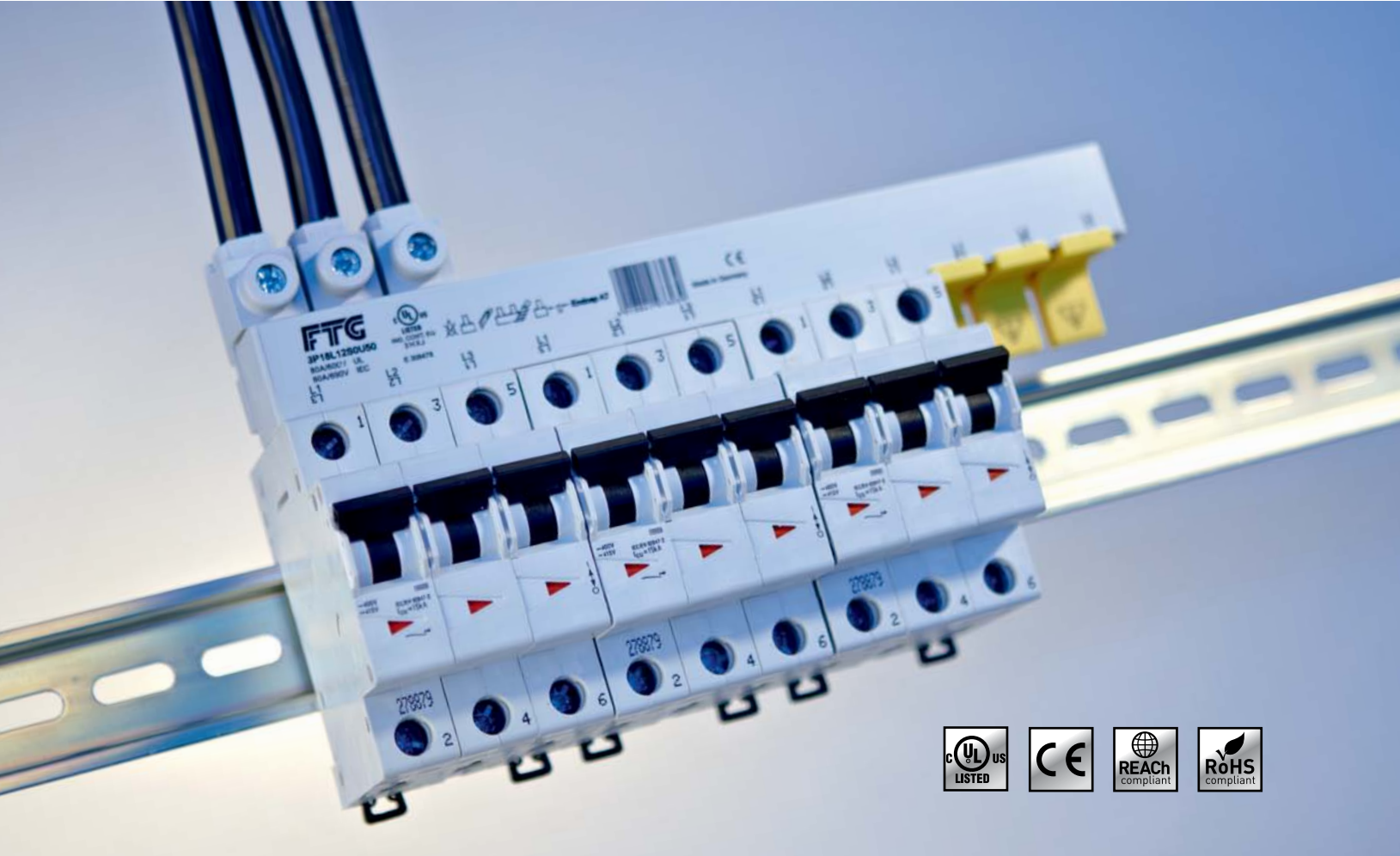
Power Distribution and Connection UL Approved Products

The best solution for every connection

UL 508 Busbar System

Flexibility, Reliability and Safety for UL applications – UL508 Busbars allow for fast, compact and secure wiring of UL1077 Miniature Circuit Breakers or UL512 Fuseholders. Feeder Terminals and Accessories fit any mounting configuration. Wiring errors are eliminated and hotspots are greatly reduced due to loose wiring connections.

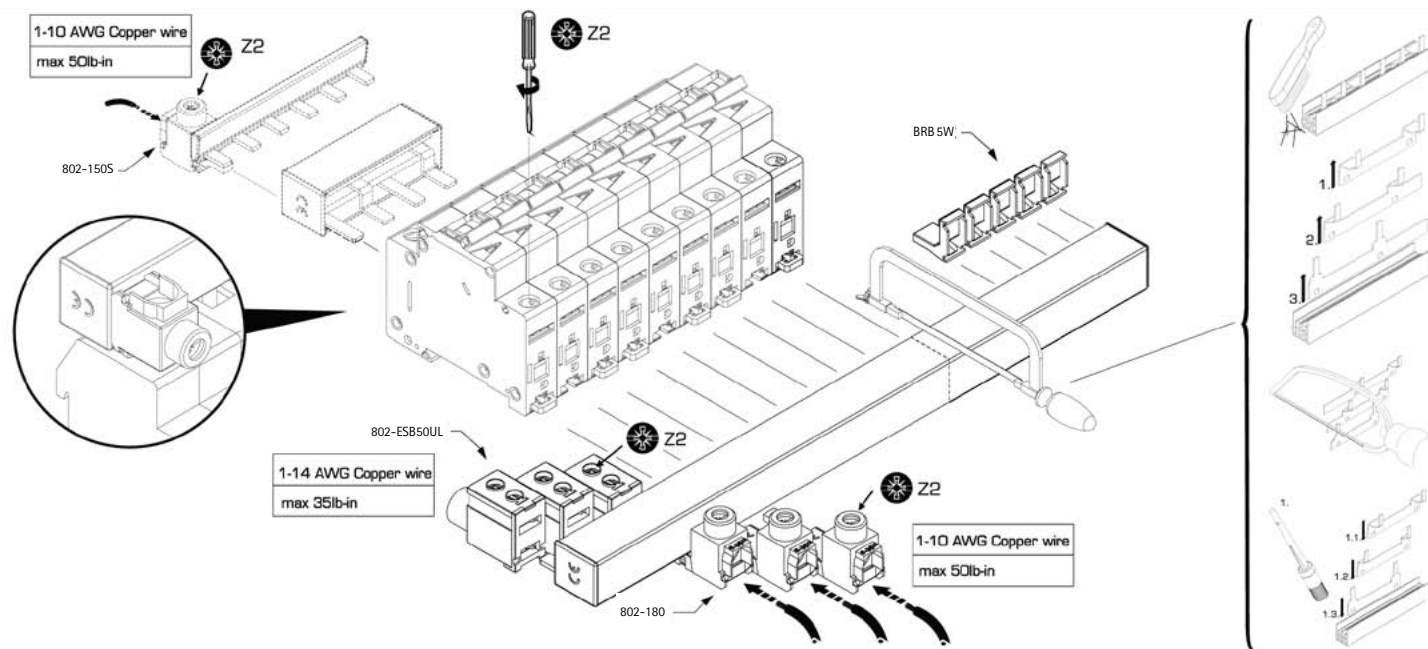
Wires vs Busbar



1 Device with traditional cabling | 2 Device with UL busbar | 3 Bottom Feed for panels with space limitations | 4 Center Feed increases amperage capability

- For connection of UL 1077 Miniature Circuit Breakers
- Also approved for use with UL512 Fuseholders
- 1P, 2P and 3P Configurations with or without Auxiliary Switch
- Voltage ratings: 1P 600VAC/1000DC
2+3P 600VAC/DC
- Available in 80A and 100A Ratings
- Center Feed rating up to 200A (two incoming terminals per phase required)

- Feeder Terminal Options allow for Top or Bottom Feed
- Cutable Design allows for maximum flexibility
- Finger Safe Design with Available Protective Caps for unused terminals



UL 508 busbars

Part #	# Poles	# Pins	Cross section	Aux Switch Spacing	Max Amperage	Max Voltage	Pitch
1P18L06S0U50	1	6	18mm ²	80A	80 A/18 mm ²	600 V AC / 1000 V DC	17,8 mm
1P25L06S0U50		6	25mm ²	100A	100 A/25 mm ²	600 V AC / 1000 V DC	17,8 mm
1P18L12S0U50		12	18mm ²	80A	80 A/18 mm ²	600 V AC / 1000 V DC	17,8 mm
1P25L12S0U50		12	25mm ²	100A	100 A/25 mm ²	600 V AC / 1000 V DC	17,8 mm
1P18K57S0U50		57	18mm ²	80A	80 A/18 mm ²	600 V AC / 1000 V DC	17,8 mm
1P25K57S0U50		57	25mm ²	100A	100 A/25 mm ²	600 V AC / 1000 V DC	17,8 mm
2P18L12S0U50	2	12	18mm ²	80A	80 A/18 mm ²	600 V AC / 600 V DC	17,8 mm
2P25L12S0U50		12	25mm ²	100A	100 A/25 mm ²	600 V AC / 600 V DC	17,8 mm
2P18L56S0U50		56	18mm ²	80A	80 A/18 mm ²	600 V AC / 600 V DC	17,8 mm
2P25L56S0U50		56	25mm ²	100A	100 A/25 mm ²	600 V AC / 600 V DC	17,8 mm
3P18L12S0U50	3	12	18mm ²	80A	80 A/18 mm ²	600 V AC / 600 V DC	17,8 mm
3P25L12S0U50		12	25mm ²	100A	100 A/25 mm ²	600 V AC / 600 V DC	17,8 mm
3P18L57S0U50		57	18mm ²	80A	80 A/18 mm ²	600 V AC / 600 V DC	17,8 mm
3P25L57S0U50		57	25mm ²	100A	100 A/25 mm ²	600 V AC / 600 V DC	17,8 mm
Busbar with Aux Switch Spacing after each Phase Sequence							
1P18K37N0U50	1	37	18mm ²	80A	80 A/18 mm ²	600 V AC / 1000 V DC	27,0 mm
1P25K37N0U50		37	25mm ²	100A	100 A/25 mm ²	600 V AC / 1000 V DC	27,0 mm
2P18L46S2U50	2	46	18mm ²	80A	80 A/18 mm ²	600 V AC / 600 V DC	17,8 mm
2P25L46S2U50		46	25mm ²	100A	100 A/25 mm ²	600 V AC / 600 V DC	17,8 mm
3P18L48S2U50	3	48	18mm ²	80A	80 A/18 mm ²	600 V AC / 600 V DC	17,8 mm
3P25L48S2U50		48	25mm ²	100A	100 A/25 mm ²	600 V AC / 600 V DC	17,8 mm

Consult factory for additional aux switch configurations.

Voltage Ratings	Single Phase	2 and 3 Phase
Max AC Voltage	600VAC	
Max DC Voltage	1000VDC	600VDC
Current ratings	End Feed	Center Feed
Max Current 18mm ² Cross Section	80 A	160 A*
Max Current 25mm ² Cross Section	100 A	200 A*
Protection Class	IP20	
KA Rating (J Fuse)	100 KA	
18 mm ²	3 fuse	175 A
25 mm ²	3 fuse	200 A

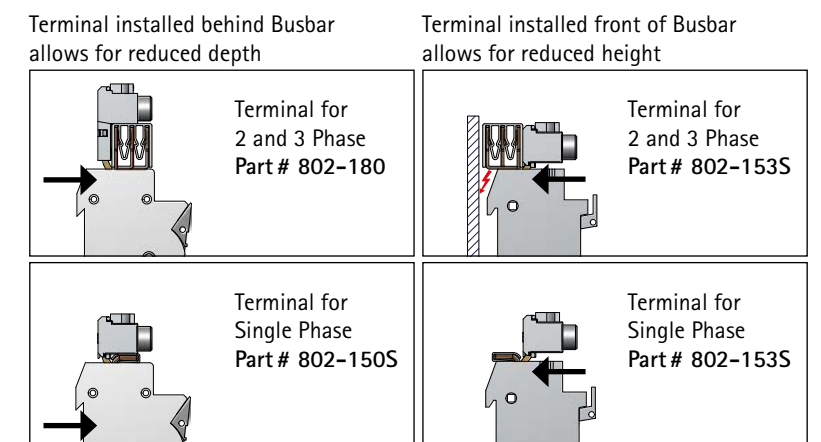
* Note: Two 115A Feeder Terminals required per phase

for use with ... ABL Sursum's V-EA and MA series, ABB's S20x, S200P, DL16, and E90 series, Cutler-Hammer's WMS series, Techna's jtecUL series, Altech's R series, Moeller's Xpol PLSM series, Schrack's L7, L7-Q, BM017, BM018, and BM019 series, Siemens 5SX2, 5SY4, 5SY6, 5SY7, 5SY8, 5SP4 series, Woehner's JC100, JC200, JC400, AJC30, AES CC, AJC60, AEL CC, AES10x38, AES14x51, AES22x58, Rockwell Automation's 1492 series, Sprecher and Schuh's Type FHL8 series, and L8 series, Weidmüller's SUxxxAC, SAU, SNS, and SST series, Siemens Cat Nos. 3NC109, 3NC149, 3NC229, 3NW7 and, Cooper Bussmann's CH series, Edison Fuse Inc's EMH series Cat Nos EMHCC1D, EMHCC1DI, EMHCC2D, EMHCC2DI, EMHCC3D, EMHC-C3DI, EHM1DU, EHM1DIU, EHM2DU, EHM2DIU, EHM3DU, EHM3DIU, EHM4DU, EHM4DIU, and EHM1DI-48U, Littelfuse POWR-SAFE LPSC, LPHV, LFPHV, and LPSC Series Fuseholders, GE E2000 series, Mersen's USCC, and USM series, ETI's PCF, and VLC series, and Schneider Electric's C60 Multi 9, DF8, DF10, DF14, DF22 E-T-A 4230 series / File E67320 WEG Electric Corp: UMBW-1 series / File E468808 Shanghai Lianxin Electrical Co. Ltd: NDB2T-63 series without feeder spacing adaptors) / File E300669 Rockwell Automation / Allen-Bradley: 1492-D series / File E65138 DF S A 460xxx, 480xxx, 48510x, 48511x series / File E193529 48515x, 48518x, 48519x series / E359201 SIBA GmbH 5103605 series / File E186970

UL 508 Busbar Accessories

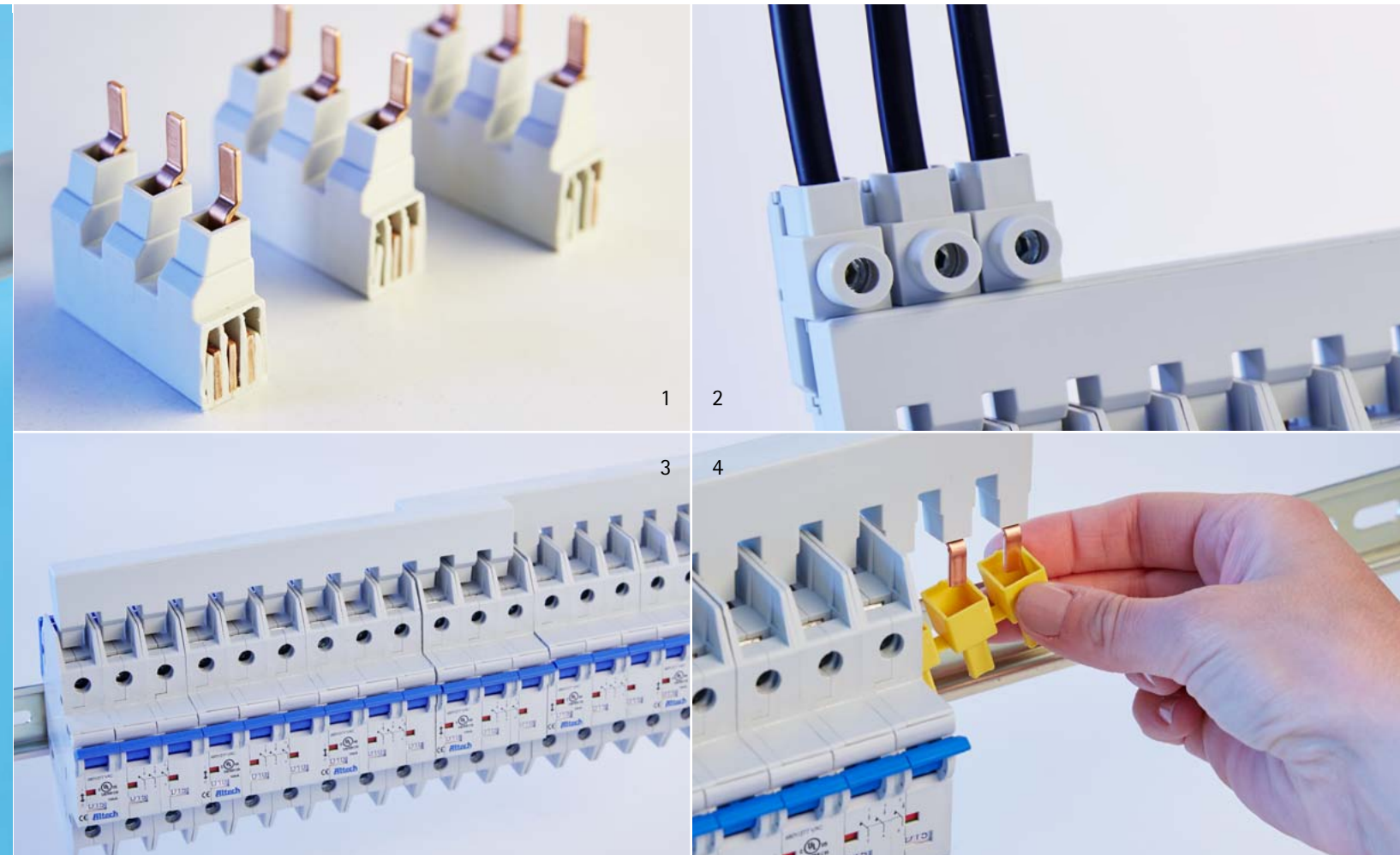
Part #	Description
802-150S	Feeder Terminal 115 A
802-153S	
802-180	
802-ESB50UL	Direct Feed Feeder Terminal 115 A
ESB95-3UL	Three Phase Direct Feed Incoming Terminal 200 A
A69	Endcover for Single Phase Busbar
A7	Endcover for 2-3 Phase Busbar
BRB5W	Protective Caps (5 caps)

Feeder Terminal Selection



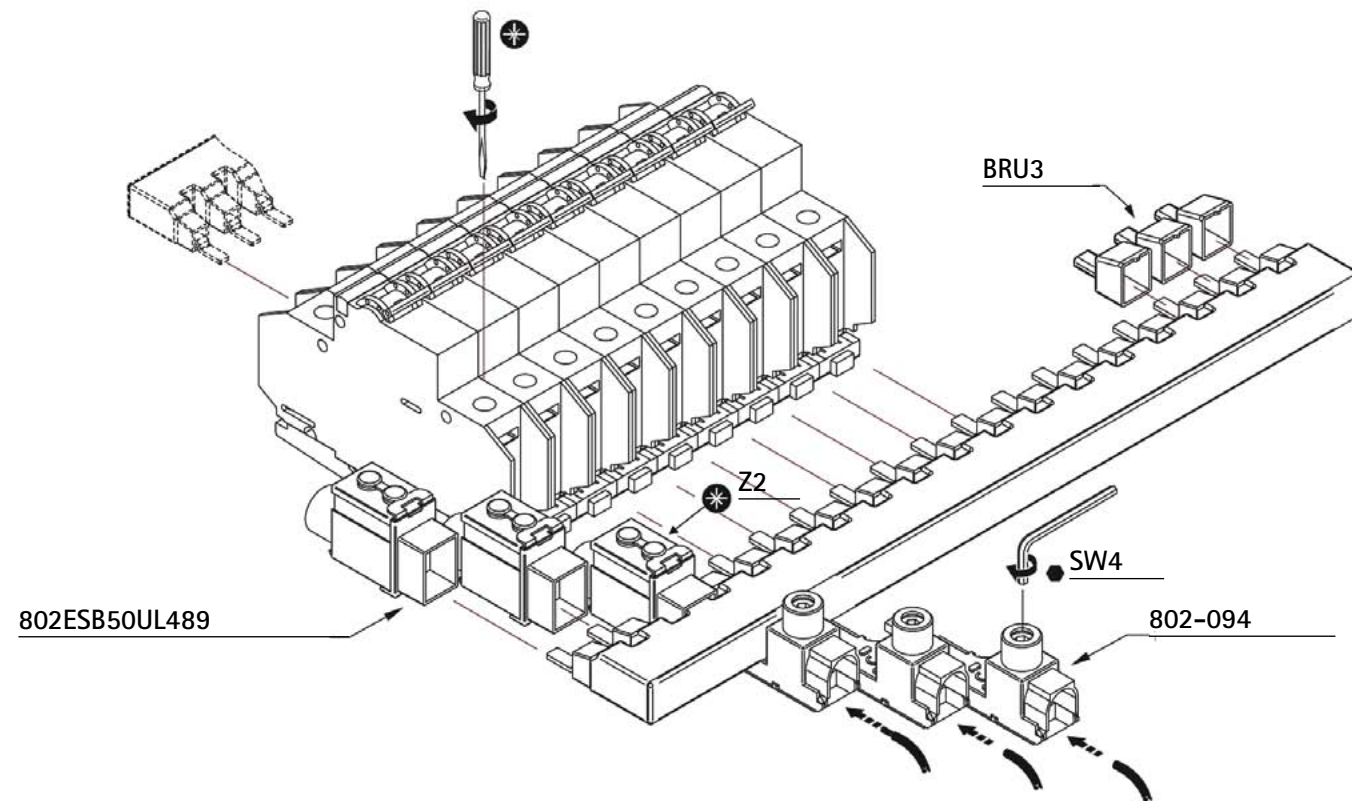
UL 489 Busbar System

Reliability and Safety are a must for UL489 applications – UL489 Busbars assure secure wiring of UL489 Miniature Circuit Breakers. Busbars are Pre-Cut for fast and easy installation. Feeder Terminals and Accessories fit any mounting configuration. Wiring errors are eliminated and potential for hotspots are greatly reduced.



1 Interior view of the 489 Busbar, which are available in 1, 2 and 3-phase versions (Note: UL489 Busbars are not allowed to saw!) | 2 Power is supplied using connection terminals
3 Overlapping connection for maximum flexibility | 4 The contact protection caps ensure maximum finger safety

- For Connection of UL489 Miniature Circuit Breakers
- 1P, 2P and 3P Configurations
- 115A Current Rating
- Voltage Ratings: 1P 1000VAC/DC
2+3P 600VAC/DC
- Center Feed rating up to 115A
- Feeder Terminal Options allow
for Top or Bottom Feed Standard
- 6, 12 and 18 Pin Standard Lengths
- Busbars may be overlapped for additional length
- Finger Safe Design with Available Protective Caps
for unused terminals



Voltage Ratings	Single Phase	2 and 3 Phase
Max AC Voltage	1000VAC	600VAC
Max DC Voltage	1000VDC	600VDC
Current ratings	End Feed	Center Feed
Max Current 16mm ² Cross Section	115 A	115 A
Protection Class	IP 20	
KA Rating (J Fuse)	100KA	
18 mm ²	3 fuse	175 A
25 mm ²	3 fuse	200 A

for use with ... L Series, manufactured by Altech Corp; WMTB Series, manufactured by Eaton; 4230 Series by E-T-A, UMBW-4 Series by WEG electric Group, NDB2T-63 Series (without feeder spacing adaptors) by Shanghai Lianxin Electrical Co., Ltd. 1489 Series, Rockwell Automation; L9 Series, Sprecher + Schuh; BRxxxxAC, BAU, BNS, BST Series, Weidmüller; Multi-9 C60N UL 489 Series, manufactured by Merlin Gerin; S200U, S200UP, S200U DC, SU200M, and SU200MR Series, manufactured by ABB Inc; Types 1B, 1C, 1D, 2B, 2C, 2D, 3B, 3C or 3D, manufactured by ABL Sursum Bayerische Elektrozubehoer GmbH, when mounted in an enclosure with minimum dimensions of 18 by 18 by 6.25 inches. 5SJ4 Series, manufactured by Siemens Energy and Automation Inc; Cat. No. FAZ, manufactured by Moeller Gebaudeautomation GmbH; 1489-A Series, manufactured by Rockwell Automation/Allen-Bradley, when mounted in an enclosure with minimum dimensions of 30 by 30 by 10 inches." E-T-A 4230 series / File E67320 WEG Electric Corp: UMBW-1 series / File E468808 Shanghai Lianxin Electrical Co. Ltd: NDB2T-63 series without feeder spacing adaptors) / File E300669 Rockwell Automation / Allen-Bradley: 1492-D series / File E65138 DF S A 460xxx, 480xxx, 48510x, 48511x series / File E193529 48515x, 48518x, 48519x series / E359201 SIBA GmbH 5103605 series / File E186970

Types

Part #	# poles	# pins	Cross section	Max Amperage	Max Voltage	Pitch
ULC106A16	1	6	16 mm ²	115 A	1000 VAC/DC	17,6 mm
ULC112A16		12	16 mm ²			
ULC118A16		18	16 mm ²			
ULC206A16	2	6	16 mm ²		600 VAC/DC	
ULC212A16		12	16 mm ²			
ULC218A16		18	16 mm ²			
ULC306A16	3	6	16 mm ²	600 VAC/DC		
ULC312A16		12	16 mm ²			
ULC318A16		18	16 mm ²			

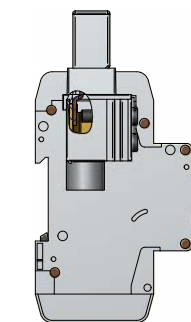
If Aux Switch Spacing is needed use ULCut Busbar

UL489 Busbar Accessories

Part #	description	cross section	wire size Cu	max. voltage	max. current (w/60°) conductors	ma. current (w/75°) conductors
802-094	Feeder Terminal, pin	35 mm ²	14 AWG - 2 AWG	1000V AC/DC	95 A	150 A
802-ESB50UL489	direct feeder	50 mm ²	14 AWG - 1 AWG	1000V AC/DC	110 A	115 A
BRU3	3 Protective Caps	-	-	-	-	-



802-094

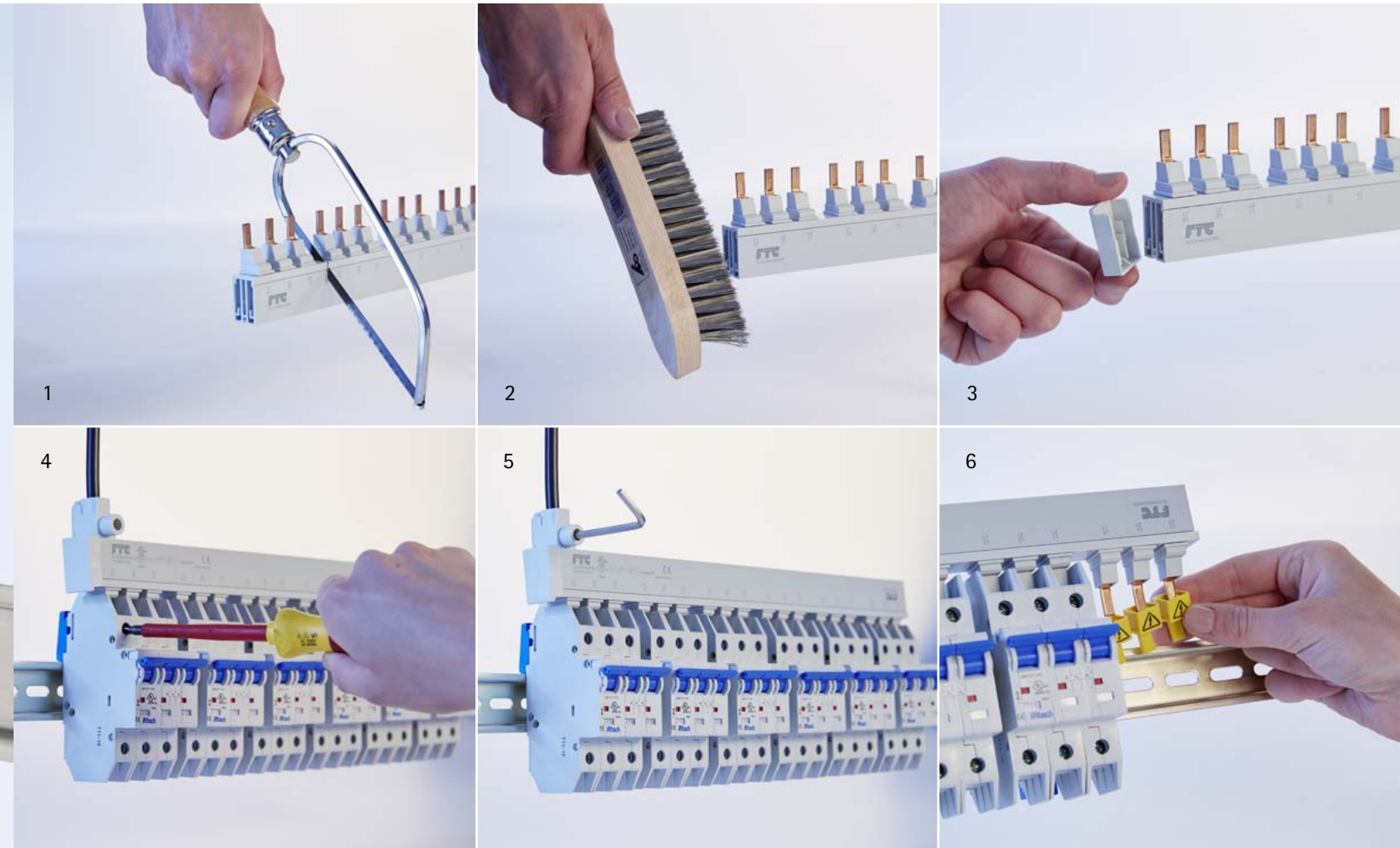


802ESB50UL489

ULcut Busbar System

The first **Cutttable UL489 busbar** – Allows maximum Flexibility for wiring of UL489 Miniature Circuit Breakers. No special tools are required for cutting of this easy to assemble busbar. Just saw and add endcaps.

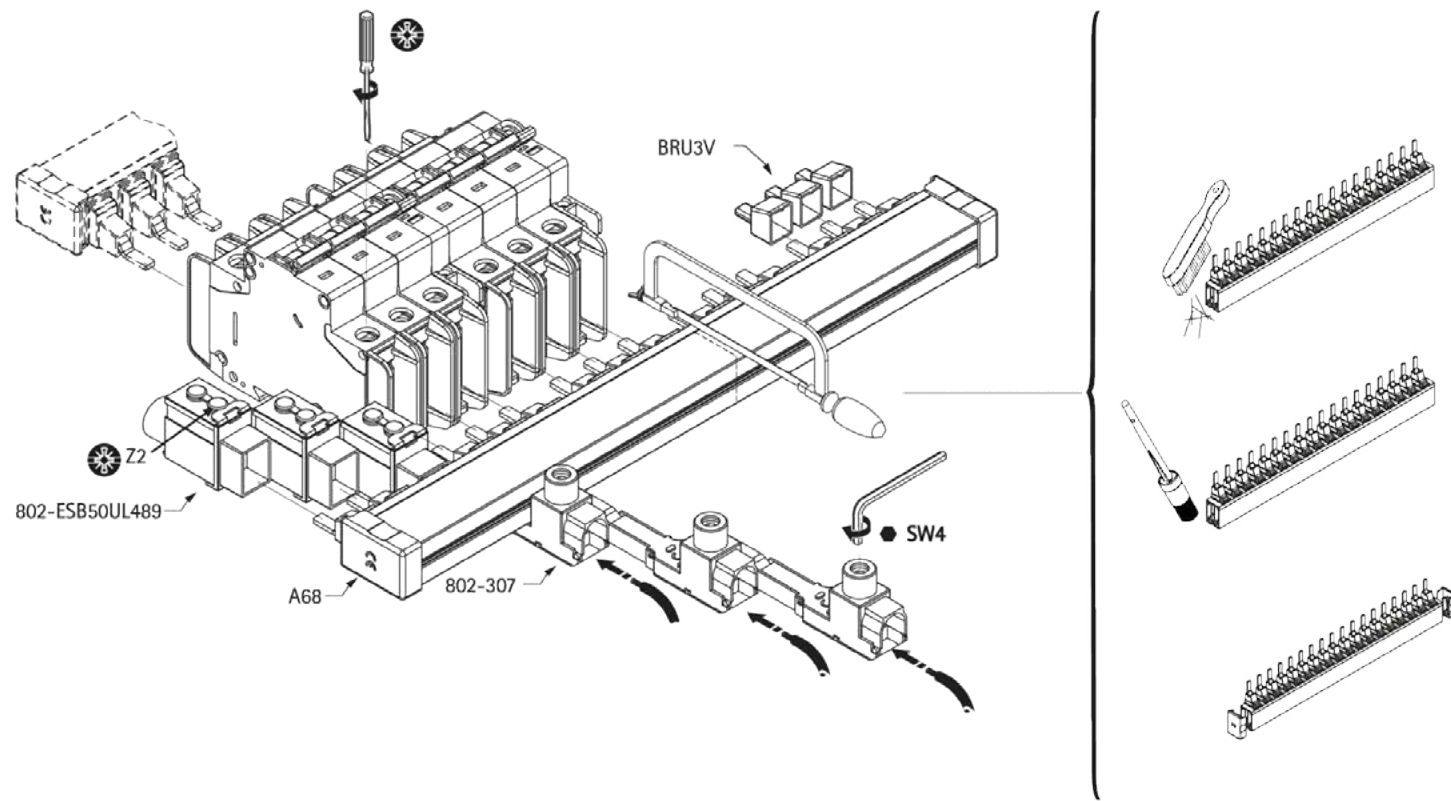
First cuttable
UL 489 busbar



1 Busbar can be cut to individually required length for maximum flexibility | 2 Cleaning the cut face | 3 End cap attached for maximum finger safety | 4 Fixing the busbar on the device
5 Tightening the connection terminal | 6 Application of contact protection cap

- For Connection of UL489 Miniature Circuit Breakers
- 1P, 2P and 3P Configurations with and without Auxiliary Switch
- Design allows a broad selection of breaker pitch
- Available in 80A and 100A Ratings
- Voltage Ratings: 1P 1000VAC/DC
2+3P 600VAC/DC
- Center Feed rating up to 200A
(two 115A terminals required per phase)

- Feeder Terminal Options allow for Top or Bottom Feed Standard
- Cuttable Design allows for maximum flexibility and less waste
- Finger Safe Design with Available Protective Caps for unused terminals



Voltage Ratings	Single Phase	2 and 3 Phase
Max AC Voltage	1000VAC	600VAC
Max DC Voltage	1000VDC	600VDC
Current ratings	End Feed	Center Feed
Max Current 18mm ² Cross Section	80 A	160 A*
Max Current 25mm ² Cross Section	100 A	200 A*
Protection Class	IP20	
KA Rating (J Fuse)	140 KA	
18 mm ²	3 fuse	175 A
25 mm ²	3 fuse	200 A

* Note: Two 115A Feeder Terminals required per phase

for use with ... L Series, manufactured by Altech Corp; WMTB Series, manufactured by Eaton; 4230 Series by E-T-A, UMBW-4 Series by WEG electric Group, NDB2T-63 Series (without feeder spacing adaptors) by shanghai Lianxin Electrical Co., Ltd.1489 Series, Rockwell Automation; L9 Series, Sprecher + Schuh; BRxxxAC, BAU, BNS, BST Series, Weidmüller; Multi-9 C60N UL 489 Series, manufactured by Merlin Gerin; S200U ,S200UP, S200U DC, SU200M, and SU200MR Series, manufactured by ABB Inc; Types 1B, 1C, 1D, 2B, 2C, 2D, 3B, 3C or 3D, manufactured by ABL Sursum Bayerische Elektrozubehoer GmbH, when mounted in an enclosure with minimum dimensions of 18 by 18 by 6.25 inches. 5SJ4 Series, manufactured by Siemens Energy and Automation Inc; Cat. No. FAZ, manufactured by Moeller Gebaudeautomation GmbH; 1489-A Series, manufactured by Rockwell Automation/Allen-Bradley, when mounted in an enclosure with minimum dimensions of 30 by 30 by 10 inches." E-T-A 4230 series / File E67320 WEG Electric Corp: UMBW-1 series / File E468808 Shanghai Lianxin Electrical Co. Ltd: NDB2T-63 series without feeder spacing adaptors) / File E300669 Rockwell Automation / Allen-Bradley: 1492-D series / File E65138 DF S A 460xxx, 480xxx, 48510x, 48511x series / File E193529 48515x, 48518x, 48519x series / E359201 SIBA GmbH 5103605 series / File E186970

Types

Part #	# Poles	# Pins	Cross section	Max Amperage	Max Voltage	Pitch
ULC112A18A	1	12	18 mm ²	80A	1000VAC/DC	17,6 mm
ULC112A25A		12	25 mm ²	100A		
ULC157A18A		57	18 mm ²	80A		
ULC157A25A		57	25 mm ²	100A		
ULC212A18A	2	12	18 mm ²	80A	600VAC/DC	
ULC212A25A		12	25 mm ²	100A		
ULC256A18A		56	18 mm ²	80A		
ULC256A25A		56	25 mm ²	100A		
ULC312A18A	3	12	18 mm ²	80A	600VAC/DC	
ULC312A25A		12	25 mm ²	100A		
ULC357A18A		57	18 mm ²	80A		
ULC357A25A		57	25 mm ²	100A		

Busbar with Aux Switch Spacing after each Phase Sequence

Part #	# Poles	# Pins	Cross section	Max Amperage	Max Voltage	Pitch
ULC137A18H1FA	1	37	18 mm ²	80A	1000VAC/DC	17,6 mm
ULC137A25H1FA		37	25 mm ²	100A		
ULC210A18H1PA	2	10	18 mm ²	80A	600VAC/DC	
ULC210A25H1PA		10	25 mm ²	100A		
ULC246A18H1PA		46	18 mm ²	80A		
ULC246A25H1PA		46	25 mm ²	100A		
ULC309A18H1PA	3	9	18 mm ²	80A	600VAC/DC	
ULC309A25H1PA		9	25 mm ²	100A		
ULC348A18H1PA		48	18 mm ²	80A		
ULC348A25H1PA		48	25 mm ²	100A		

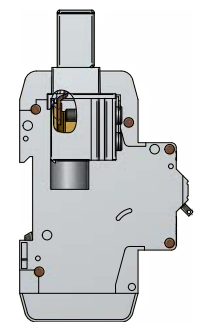
Consult factory for additional aux switch configurations.

ULCut busbar Accessories

Part #	Description
802-307	Feeder Terminal 115 A
BRU3V	Protective Caps (3 caps)
A68	Endcover
802-ESB50UL489	Feeder Terminal 110 A



802-307

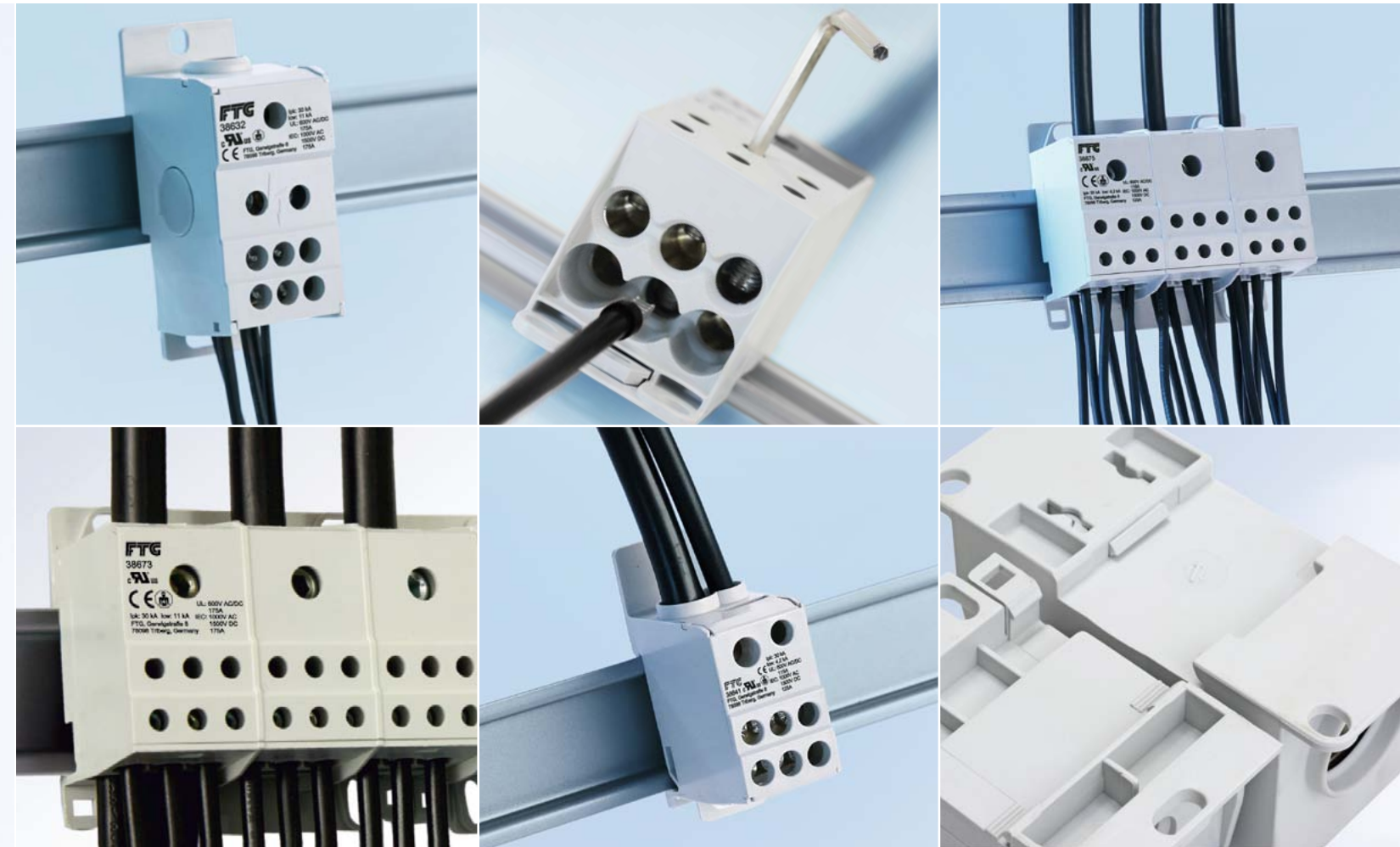


802ESB50UL489

Power Distribution Blocks

Touchsafe construction and suitable for Aluminum or Copper Wires allow for maximum safety and flexibility. DIN Rail or Surface Mount makes installation fast and easy.

For Aluminum and Copper connections



- Suitable for Copper and Aluminum wires
- Plated Aluminum Construction
- Touchsafe Construction
- DIN Rail or Surface mount
- Hex Screw Input Connection
- Hex Screw Output Connection



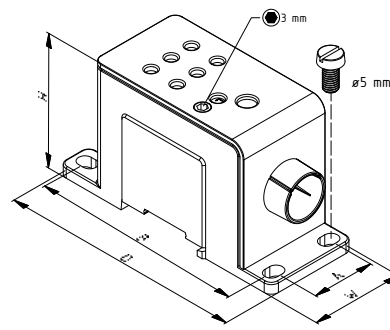
Aluminum PDB Selection*

Part #	# Poles	Amp Rating	Line		Load	
			Qty	Wire range	Qty	Wire range
38641	1P	115 A	1	2 - 8 AWG	6	4 - 14 AWG
4 - 14 AWG						
38676		115 A	1	2 - 8 AWG	10	4 - 14 AWG
38674		175 A	1	2/0 - 8 AWG	10	4 - 14 AWG
38632		175 A	1	2/0 - 8 AWG	6	4 - 14 AWG
38620		255 A	1	250 kcmil - 2 AWG	2	2 - 14 AWG
					5	6 - 14 AWG
					4	8 - 14 AWG
38675	3P	115 A	1	2 - 8 AWG	6	4 - 14 AWG
38673		175 A	1	2/0 - 8 AWG	6	4 - 14 AWG

* Brass PDBs with other incoming and outgoing arrangements are available. Consult factory for details.

PDB+

Engineering Excellence meets Modern Design! The new FTG single pole compact Power Distribution Block includes many new innovative refinements including Selectable Phase Identification, Color Marking Plates, Simple and Secure DIN Mounting Clip, Incoming Cable Safety Slide, and Connection Clip for multipole applications.



- Adjustable Dial allows for Selection of L1-L2-L3 phase designation
- Color Marking Plates in Green, Blue or Red
- Simple and secure DIN rail locking clip allows easy mounting on DIN Rail
- Incoming Cable Safety Slide assures IP20 protection with all conductor sizes
- Connection Clip included with each PDB for Multipole applications
- Suitable for Aluminum and Copper conductors

Technical Data

UL Rating	UL Listed to 1953 file QPQS - E483207
UL Voltage Rating	1000VAC / DC
PDB Block Material	Tin plated Aluminum
Suitable Conductors	Copper or Aluminum
Housing Color	light grey / dark grey



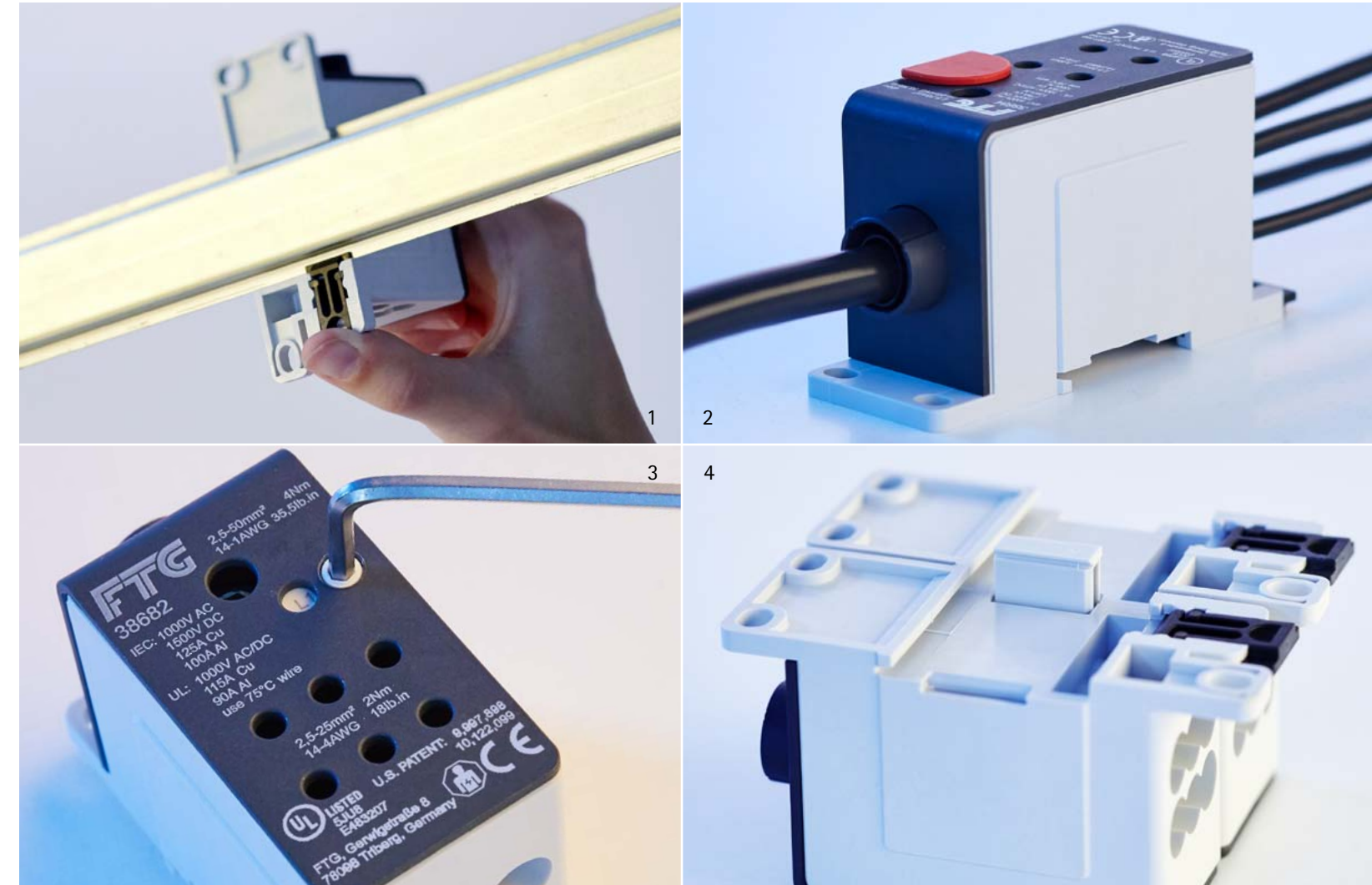
Short circuit resistance

Part #	38680	38682	38684	38686	38688
The PDB+ have been investigated for high short circuit current ratings according to IEC. They have a 100 kA SCCR rating with specific overcurrent protection device.					
Fuse class Et Amp	RK5 100 A	RK5 100 A	RK5 200 A	RK5 200 A	RK5 200 A
	RK1 100 A	RK1 100 A	RK1 200 A	RK1 400 A	RK1 400 A
	J 100 A	J 200 A	J 200 A	J 400 A	J 450 A

Single Pole Power Distribution Blocks

Part #	Amp Rating	Line		Load		Dimensions In (mm)			Mounting In (mm)	
		# Conductors	Conductor Range	# Conductors	Conductor Range	H	W	D	A	B
38680	85 A Cu	1	#3 - #14	6	#8 - #14	1.93	1.417	3.524	0.914	3.118
38680C*	65 A Al					(49)	(36)	(89.5)	(23.2)	(79.2)
38682	115 A Cu	1	#1 - #14	6	#4 - #14	1.93	1.417	3.524	0.914	3.118
38682C*	90 A Al					(49)	(36)	(89.5)	(23.2)	(79.2)
38684	175 A Cu	1	#2/0 - #14	4	#2 - #14	2.09	1.417	3.898	0.914	3.492
38684C*	135 A Al					(53)	(36)	(99)	(23.2)	(88.7)
38686	255 A Cu	1	#250 kcmil - #2	6	#2 - #14	2.39	2.126	4.488	1.622	4.063
38686C*	205 A Al					(60.7)	(54)	(114)	(41.2)	(103.7)
38688	380 A Cu	1	#500 kcmil - #2/0	6	#2 - #14	2.39	2.126	4.488	1.622	4.063
38688C*	310 A Al					(60.7)	(54)	(114)	(41.2)	(103.7)

*Add "C" to PDB+ part # to include Blue, Red and Green Marking Plates (1 each) with the PDB, or order Marking Plates separately using parts# on page 17



1 Safe mounting on DIN Rail through DIN Rail locking clip | 2 Safety Slide assures IP20 protection with all conductor sizes | 3 Integrated, adjustable phase marking | 4 Connection Clips secure single pole PDBs for multiphase applications

Marking Plates

Part #	Description
C38BL	10 x Marking plate blue
C38RT	10 x Marking plate red
C38GN	10 x Marking plate green



38682 + C38BL

38680 + C38RT

38684 + C38GN



PDB 400 A

The **PDB 400 A Power Distribution Block** is the perfect solution for Solar Combiner Box Applications. With 1500 V UL approval and a maximum current of 800 A for aluminium and copper wires, the PDB 400 A has the ratings required for the Solar Industry. Easy and quick mounting on DIN rail or directly to a mounting plate provides flexibility and security.

Wire Range

- Line: 2 Studs M10 x 35mm
 - Suitable for listed lugs or copper bars
 - Lugs must fit on M10 studs, 1.55" (39mm) max width
- Load: 24x #6 - 14 AWG Copper wire
#6 - 10 AWG Aluminum wire

Technical Ratings

- 1500V per UL 1059 Class E and CSA 22.2 No. 158, Class C requirements
- 600V per UL 1059 Commercial appliances (class B), industrial general (class C), industrial devices having limited ratings (class D) requirements
- 600V per CSA 22.2 No 158 Commercial appliances (class B), Industrial devices having limited ratings (class D), special components (class E)
- Short Circuit Current Rating (SCCR) of 10.000A
- CU 9 - 90°C connector terminal rating

UL Listing

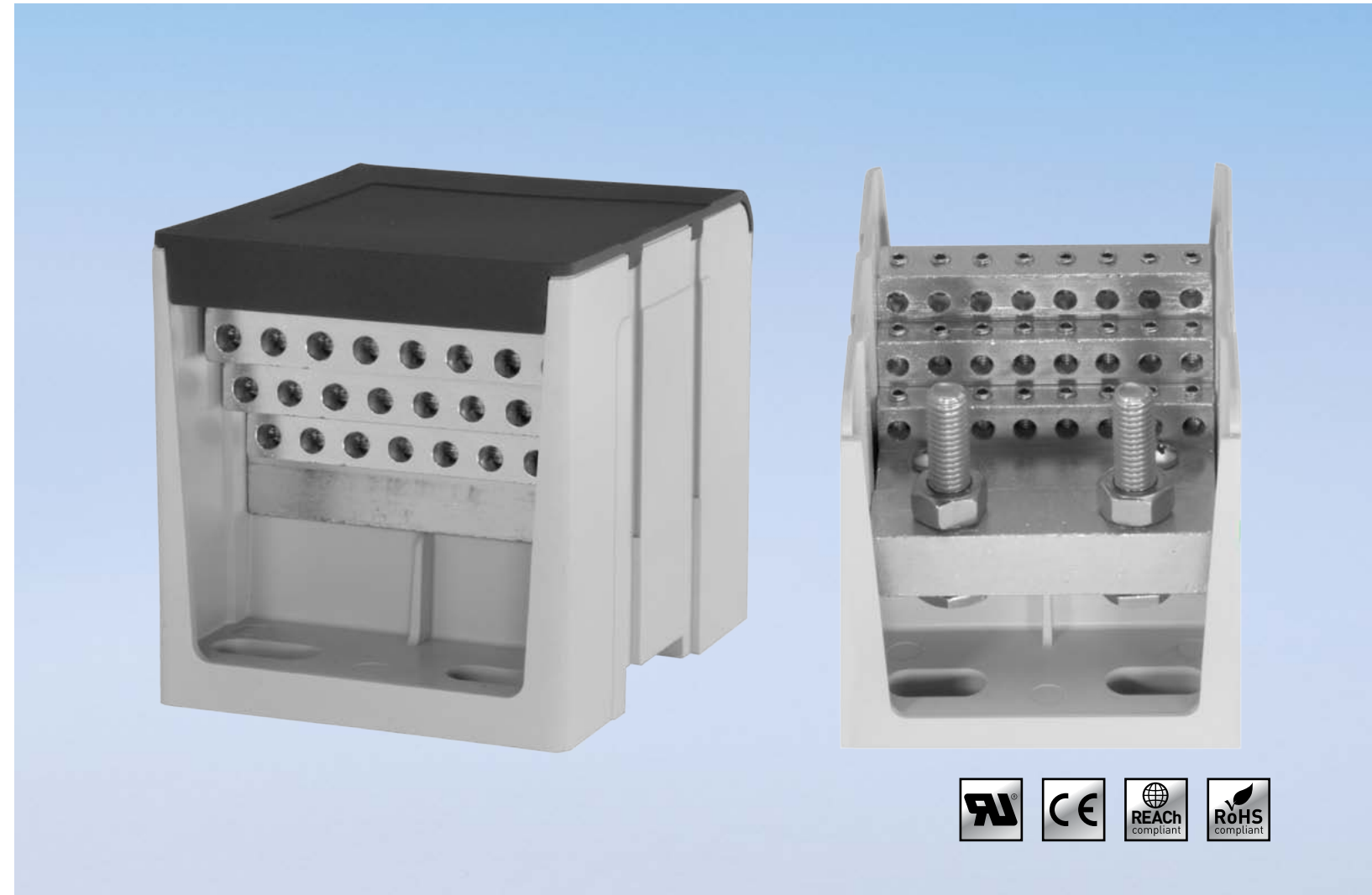
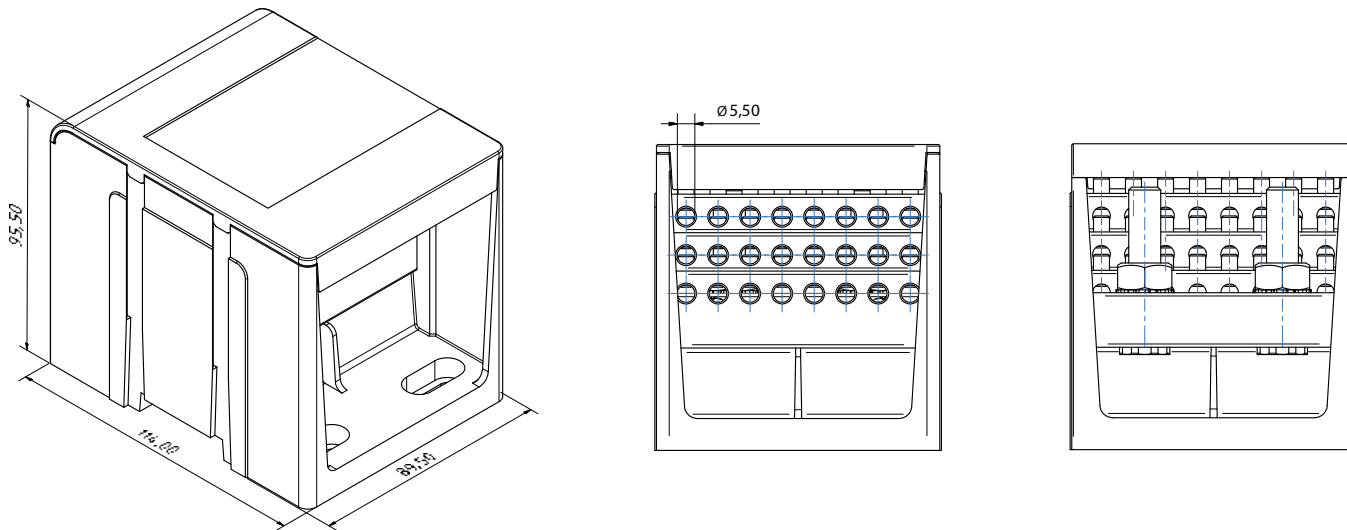
- Tested for 1500V AC/DC, rated to UL 1059 File No. E98082

Technical data

Max. operating voltage	1 500 V AC/DC
Max. operating current	800 A
Suitable Conductors	solid / stranded
PDB Block Material	tin plated Aluminum
Housing Color	light grey / dark grey

Part#

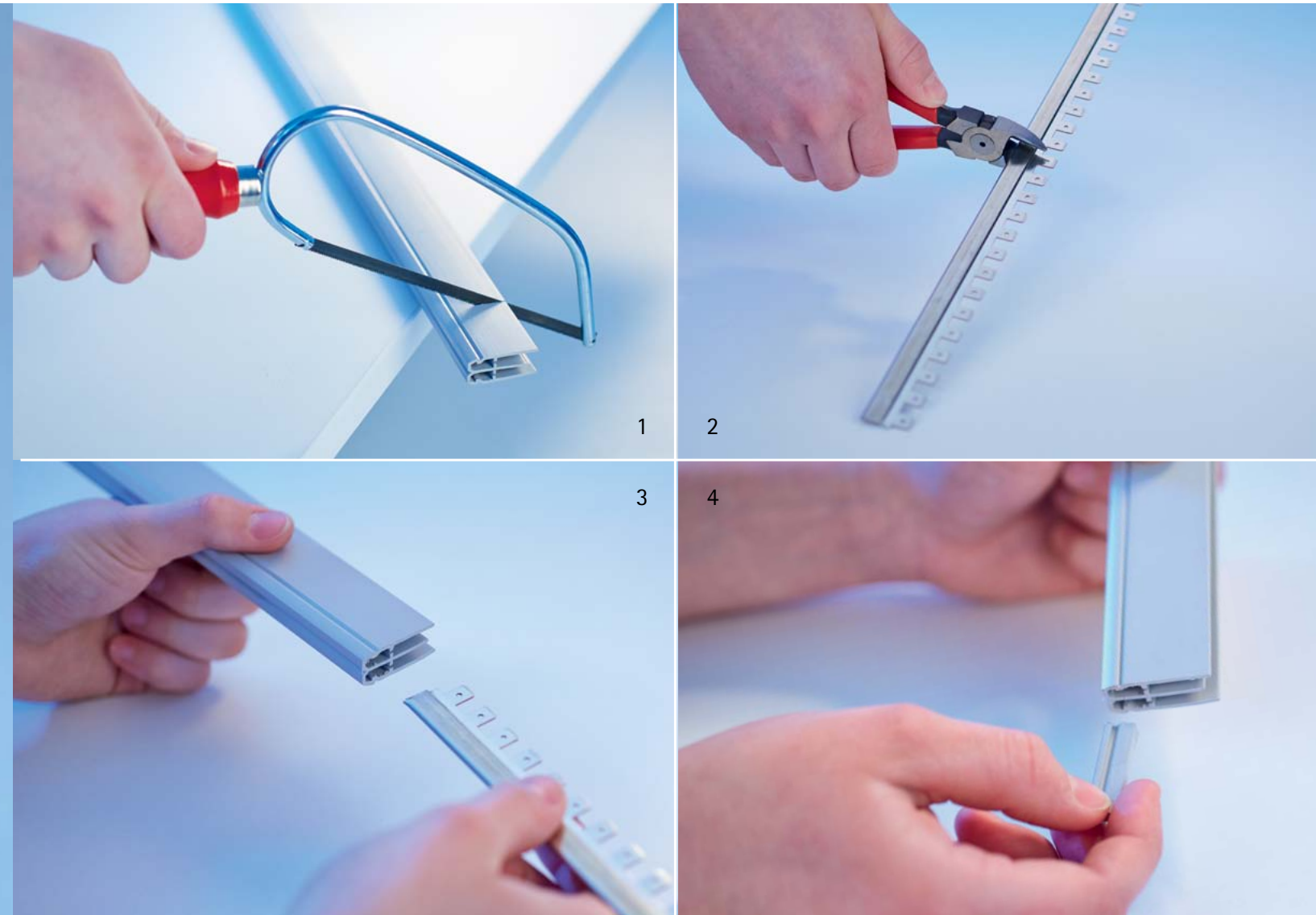
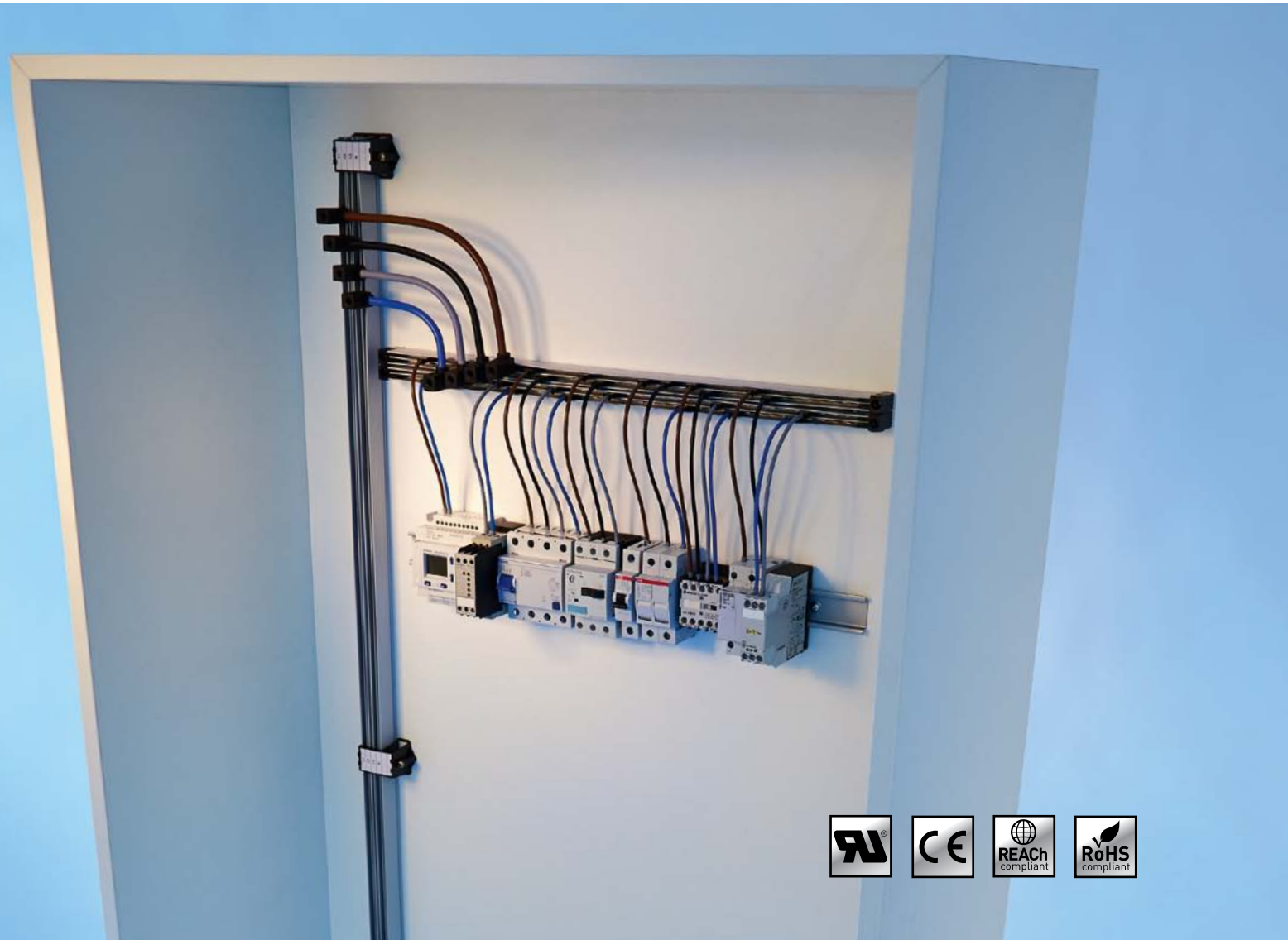
Cover	#38687
Power Distribution Block	#38689
PDB with cover	#38690



Power Distribution Block 400 A for Solar Systems

Auxigaine

Auxigaine offers maximum flexibility with space for up to six conductors in one modular system. Fast-on connections allow for fast easy wiring. Field modifiable conductors and housings make installation a snap.

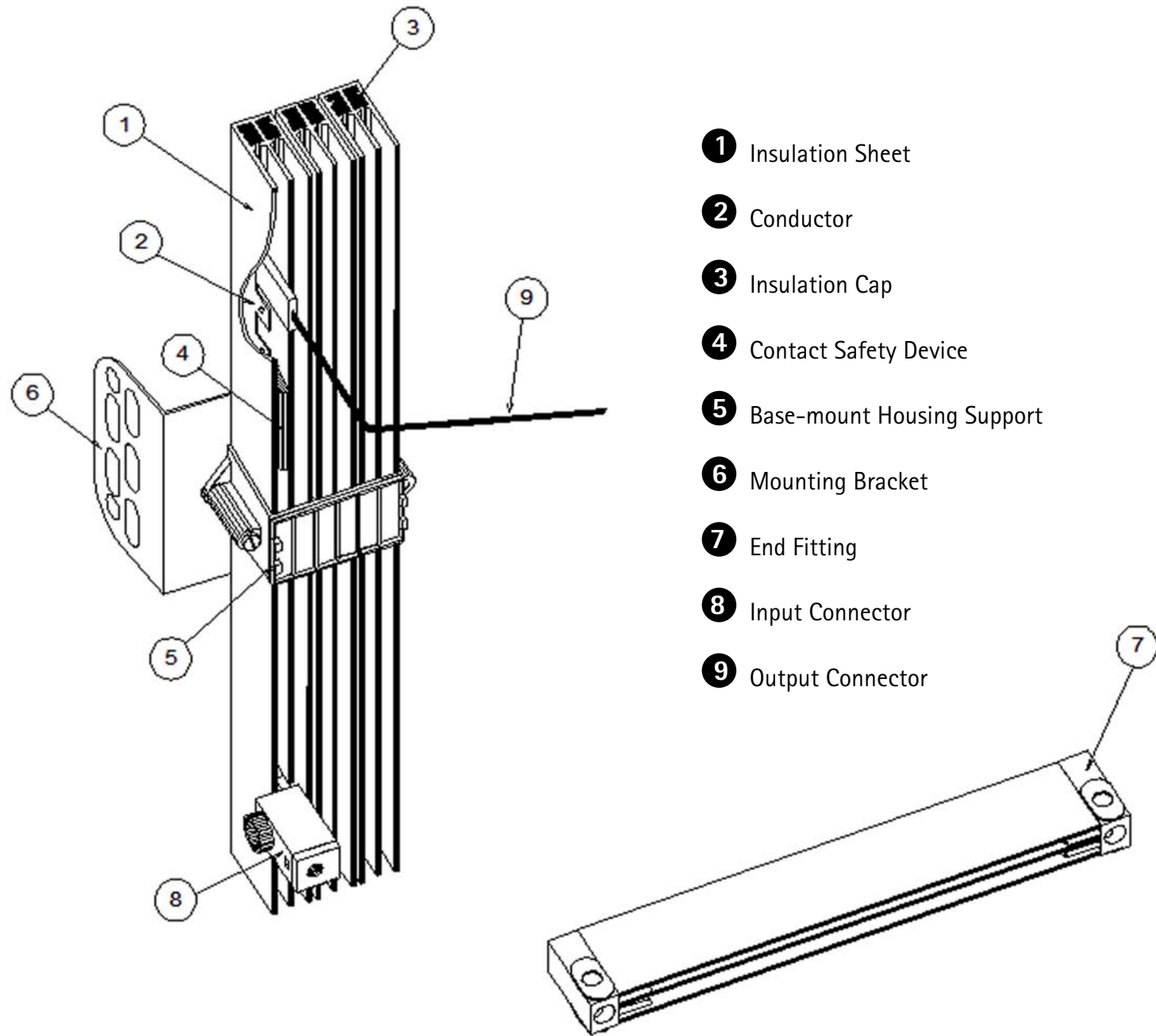


1 Cut Insulation Sheet to length | 2 Cut Conductor to length | 3 Insert Conductor into Insulation Sheet | 4 Insert Insulation Caps

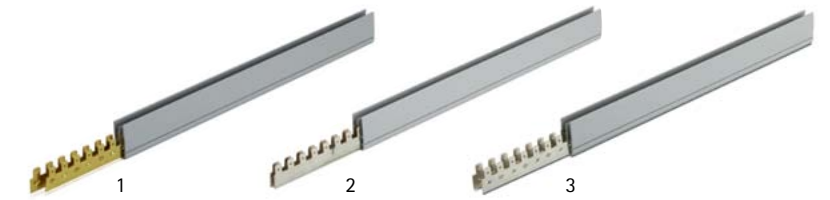
- 600VAC Rating
- Mount up to 6 conductors in one assembly length
- Standard lengths up to 1.9 meters
- Fast on Terminals for quick connections


Auxigaine is a modular wiring system containing up to six conductors in one space saving rail assembly. Simply cut the standard 1.9 meter insulation and conductors to desired length, insert into bar holders, and attach supply and outgoing connectors. Mounting plates and accessories allow for maximum mounting flexibility.

Auxigaine



Auxigaine Set



Auxigaine with insulation | profile halogen-free 

Picture	Part #	Conductors	Amp Rating	Lenght	Material	Qty
1	1219001LBI0SH	1	25 A	1900 mm	Plain brass	10 pieces
	1219002LBI0SH	2				
2	1219001CEI0SH	1	63 A	1900 mm	Tinned copper	10 pieces
	1219002CEI0SH	2				
3	1219001CEJ0SH	1	80 A	1900 mm	Tinned copper	10 pieces
	1219002CEJ0SH	2				

Auxigaine Set Distribution bar pre-installed on DIN rail | not UL-proofed



Part #	Conductors	Amp Rating	Lenght
ST42000/32	6	25 A	390 mm
ST42001/32			590 mm
ST42002/32			790 mm
ST42003/32			990 mm
ST42004/32	1190 mm		
ST42000/63	6	63 A	390 mm
ST42001/63			590 mm
ST42002/63			790 mm
ST42003/63			990 mm
ST42004/63	1190 mm		
ST42000/100	6	80 A	390 mm
ST42001/100			590 mm
ST42002/100			790 mm
ST42003/100			990 mm
ST42004/100	1190 mm		

Auxigaine Set Auxigaine bar with end insulating supports | not UL-proofed



Part #	Conductors	Amp Rating	Lenght	Hole spacing	lugs
ST42005/32	2	25 A	199 mm	188 mm	12
ST42005/63		63 A			
ST42005/100		80 A			
ST42005/125		125 A			

Auxigaine Set Auxigaine bar with DIN rail adapter | not UL-proofed



Part #	Conductors	Amp Rating	Lenght	lugs
ST42005/32D	2	32 A	199 mm	12
ST42005/63D		63 A		
ST42005/100D		100 A		
ST42005/125D		125 A		

Auxigaine Pre-built sets are available. Consult factory for details. Note Pre-built sets are not UL Approved.

Auxigaine Accessories

Auxigaine Wiring System



Supply connector

125 A, UL90A, CSA 100A, incl. end sleeves
Packaging unit: 10 pieces

40017V2



End support

with DIN rail adapter
Packaging unit: 10 pieces

19BSA



End insulating support

with screw M4 x 25 mm
Packaging unit: 10 pieces

17BS



Mounting bracket

steel, galvanised, 90° angle
Packaging unit: 10 pieces

17S90



Mounting bracket

steel, galvanised, 60° angle
Packaging unit: 10 pieces

17S60



Mounting bracket

steel, galvanised, 180°
Packaging unit: 10 pieces

17S180



Bar holder

with 2 screws M4 x 30mm for 3 rails
Packaging unit: 10 pieces
For up to three housings/six conductors

19FT3V



Labelling set

for bar holder 19FT3V
Packaging unit: 50 pieces

17EET



Mounting plate for DIN rail

steel, with 2 screws M4 x 30mm
Packaging unit: 10 pieces

17SR35



Outgoing Connector

Version: 20 A
Length: 120 mm
Cross-section: 2.5 mm²
Configuration: 1 x quick disconnect | 1 x ferrule
Packaging unit: 10 pieces
not UL-proofed

ST25FE0120B

Colour: blue

ST25FE0120S

Colour: black



Outgoing Connector

Version: 20 A
Length: 200 mm
Cross-section: 2.5 mm²
Configuration: 1 x quick disconnect | 1 x ferrule
Packaging unit: 10 pieces
not UL-proofed

ST25FE0200B

Colour: blue

ST25FE0200S

Colour: black



Outgoing Connector

Version: 36 A
Length: 120 mm
Cross-section: 6 mm²
Configuration: 1 x quick disconnect | 1 x ferrule
Packaging unit: 10 pieces
not UL-proofed

ST60FE0120B

Colour: blue

ST60FE0120S

Colour: black



Bar holder

with 1 screw M4 x 30mm for one rail
Packaging unit: 10 pieces
For one housing/two conductors

17FG1



Insulation cap

Packaging unit: 50 pieces

17BIO



Contact Safety Device

Packaging unit: 10 pieces

19PJI



Outgoing Connector

Version: 36 A
Length: 200 mm
Cross-section: 6 mm²
Configuration: 1 x quick disconnect | 1 x ferrule
Packaging unit: 10 pieces
not UL-proofed

ST60FE0200B

Colour: blue

ST60FE0200S

Colour: black

Further versions on request.



Outgoing Connector

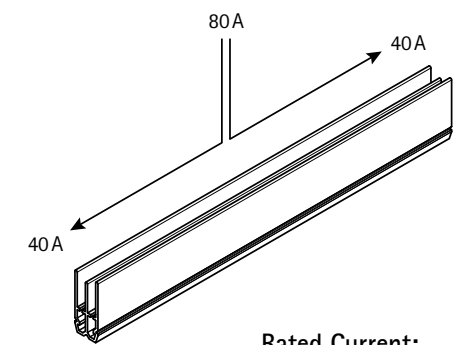
Version: 63 A
Length: 120 mm
Cross-section: 2 x 4 mm²
Configuration: 2 x quick disconnect | 1 x ferrule
Packaging unit: 10 pieces
not UL-proofed

40023

Colour: blue

40024

Colour: black



Rated Current:

30A with 10AWG wire
20A with 12AWG wire
15A with 14AWG wire
10A with 16AWG wire

Busbars for Motor Protection Switches

Motor Protection Switches (MPS) are used in many electric motor installations where protective devices are required. MPS Busbars are a perfect connection solution for applications where multiple Motor Protection Switches are installed. MPS busbars provide one common feed for up to five or more Motor Protective Switches resulting in faster and more compact wiring.



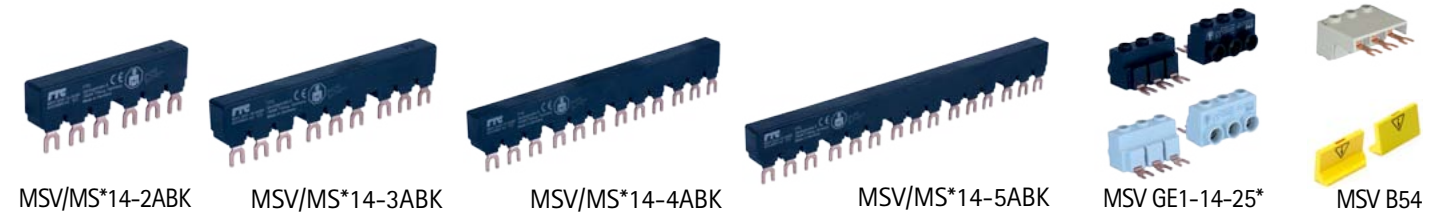
- 3 Phase Busbar for Motor Protection Switches
- Compact Construction
- Pre-assembled for 2, 3, 4, and 5 Devices
- Finger Safe Design with Available Protective Caps for unused terminals
- Stackable for use with more than 5 Devices

Technical Data

Cross section	10mm ²	16mm ²
U max.	IEC 690V AC / UL 600V AC	
I max.	IEC 63A / UL 65A	IEC 80A / UL 80A
Protection Class	IP20	

Product Selection

Busbars for Motor Protection switches



Part #	Cross section	Pitch	Number of poles	Number of lugs	Module width No. of Aux Switches	Length	Rated current	MOQ	
*10 mm² - insulation color: black									
MSV G45-14-2ABK	10 mm ²	14 mm	3	6	45 mm 1/2 aux	87 mm	63 A	10	
MSV G45-14-3ABK	10 mm ²	14 mm	3	9	45 mm 1/2 aux	132 mm	63 A	10	
MSV G45-14-4ABK	10 mm ²	14 mm	3	12	45 mm 1/2 aux	177 mm	63 A	10	
MSV G45-14-5ABK	10 mm ²	14 mm	3	15	45 mm 1/2 aux	222 mm	63 A	10	
MSV G54-14-2ABK	10 mm ²	14 mm	3	6	54 mm 1 aux	96 mm	63 A	10	
MSV G54-14-3ABK	10 mm ²	14 mm	3	9	54 mm 1 aux	150 mm	63 A	10	
MSV G54-14-4ABK	10 mm ²	14 mm	3	12	54 mm 1 aux	204 mm	63 A	10	
MSV G54-14-5ABK	10 mm ²	14 mm	3	15	54 mm 1 aux	258 mm	63 A	10	
MSV G63-14-2ABK	10 mm ²	14 mm	3	6	63 mm 2 aux	105 mm	63 A	10	
MSV G63-14-3ABK	10 mm ²	14 mm	3	9	63 mm 2 aux	168 mm	63 A	10	
MSV G63-14-4ABK	10 mm ²	14 mm	3	12	63 mm 2 aux	231 mm	63 A	10	
MSV G63-14-5ABK	10 mm ²	14 mm	3	15	63 mm 2 aux	294 mm	63 A	10	
*16 mm² - insulation color: black									
MS G45-14-3ABK	16 mm ²	14 mm	3	9	45 mm 1/2 aux	132 mm	80 A	10	
MS G45-14-4ABK	16 mm ²	14 mm	3	12	45 mm 1/2 aux	177 mm	80 A	10	
MS G45-14-5ABK	16 mm ²	14 mm	3	15	45 mm 1/2 aux	222 mm	80 A	10	
MS G54-14-3ABK	16 mm ²	14 mm	3	9	54 mm 1 aux	150 mm	80 A	10	
MS G54-14-4ABK	16 mm ²	14 mm	3	12	54 mm 1 aux	204 mm	80 A	10	
MS G54-14-5ABK	16 mm ²	14 mm	3	15	54 mm 1 aux	258 mm	80 A	10	
MS G63-14-3ABK	16 mm ²	14 mm	3	9	63 mm 2 aux	168 mm	80 A	10	
Feed-in terminal blocks									
MSV GE1-14-25A	■	14-4 AWG	14 mm	3	3	45 mm	-	63 A	10
MSV GE1-14-25BK	■	14-4 AWG	14 mm	3	3	45 mm	-	63 A	10
MSV GE2-14	■	12-4 AWG	14 mm	3	3	54 mm	-	63 A	10
Protection cover									
MSV B54	■	Protection cover for unused lugs						50	

! UL approbation for ABB, Eaton, Siemens and Factory Mation devices. UL pending for further brands - please contact us for more information!

FTG – Friedrich Göhringer
Elektrotechnik GmbH
Gerwigstrasse 8
DE-78098 Triberg
Germany
Phone +49 (0) 7722 96 36 0
Fax +49 (0) 7722 96 36 36
www.ftg-usa.com

