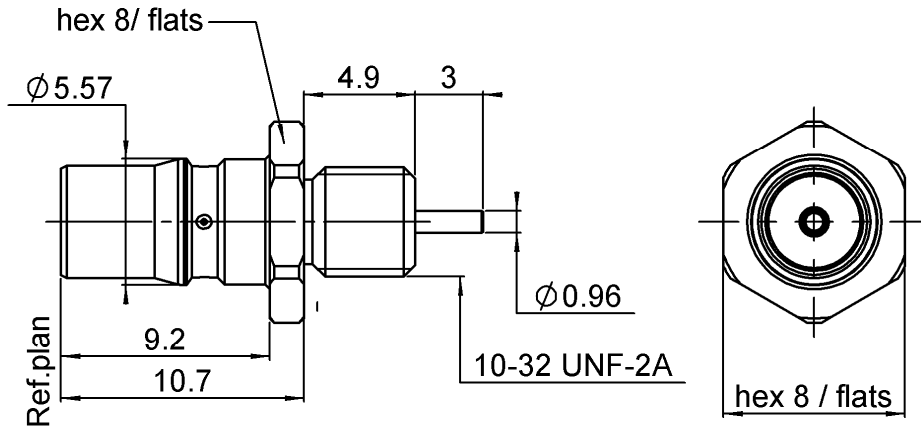


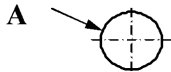
SCREW ON RECEPTACLE
FRONT MOUNTING.

R123.555.280

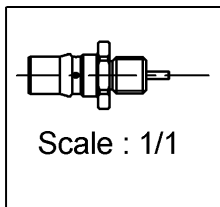
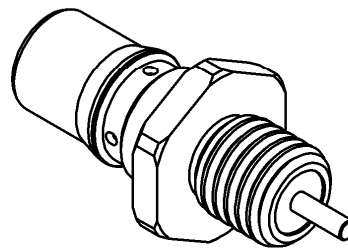
Series : QMA



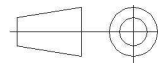
PANEL CUT OUT



A 10-32-UNF-2B



All dimensions are in mm.



COMPONENTS	MATERIALS	PLATING (μm)
BODY	BRASS	BBR 2
CENTER CONTACT	BERYLLIUM COPPER	NPGR
OUTER CONTACT		
INSULATOR	PTFE	
GASKET		
OTHERS PARTS		
-	-	-
-	-	-

Issue : 0912 A

In the effort to improve our products, we reserve the right to make changes judged to be necessary.



SCREW ON RECEPTACLE
FRONT MOUNTING.

R123.555.280

Series : QMA

PACKAGING

SPECIFICATION

Standard	Unit	Other
100	'W' option	Contact us

ELECTRICAL CHARACTERISTICS

ENVIRONMENTAL

Impedance	50	Ω
Frequency	0-6	GHz
VSWR	*1.04 + 0.0050	x F(GHz) Maxi
Insertion loss	0.05	$\sqrt{F}(\text{GHz})$ dB Maxi
RF leakage	- (**80-	- F(GHz)) dB Maxi
Voltage rating	500	Veff Maxi
Dielectric withstanding voltage	1000	Veff mini
Insulation resistance	5000	M Ω mini

Operating temperature	-40/+105	$^{\circ}\text{C}$
Hermetic seal	NA	Atm.cm3/s
Panel leakage	NA	

OTHER CHARACTERISTICS

Assembly instruction

Others :

- *Coaxial transmission line only
- **RF leakage interf. only: $3 < F < 6\text{GHz} > 70\text{dB}$
- PIM: $< -120\text{dBc}$ @ 2GHz 2x20W
- Admissible RF-Power: $> 50\text{W}$ @ 3GHz 75 $^{\circ}\text{C}$
- Contact Resistance: Center Contact $< 5\text{m}\Omega$
- Contact Resistance: Outer Contact $< 2,5\text{m}\Omega$
- DC-Current 1,5A

MECHANICAL CHARACTERISTICS

Center contact retention		
Axial force – Mating end	27	N mini
Axial force – Opposite end	27	N mini
Torque	2.8	N.cm mini
Recommended torque		
Mating	NA	N.cm
Panel nut	100	N.cm
Mating life	100	Cycles mini
Weight	2.0100	g

Issue : 0912 A

In the effort to improve our products, we reserve the right to make changes judged to be necessary.

RADIALL 