

# KGS-MSTB 2,5/15 - Cable housing

1783847

<https://www.phoenixcontact.com/us/products/1783847>

Please be informed that the data shown in this PDF document is generated from our online catalog. Please find the complete data in the user documentation. Our general terms of use for downloads are valid.

Cable housing, product range: KGS-MSTB 2,5, width: 19.8 mm



## Commercial data

Item number	1783847
Packing unit	10 pc
Minimum order quantity	10 pc
Sales key	AA08
Product key	AAHZDD
GTIN	4017918042028
Weight per piece (including packing)	24.22 g
Weight per piece (excluding packing)	22.99 g
Customs tariff number	39269097
Country of origin	PL

# KGS-MSTB 2,5/15 - Cable housing

1783847

<https://www.phoenixcontact.com/us/products/1783847>

## Technical data

### Product properties

Product type	Cable housing
Product family	KGS-MSTB 2,5
Number of positions	15
Pitch	0 mm

### Mounting

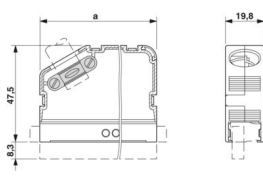
#### Cable clamp

Tightening torque	0.3 Nm
-------------------	--------

### Material specifications

Flammability rating according to UL 94	HB
Insulating material	ABS
Insulating material group	I
CTI according to IEC 60112	600
Flammability rating according to UL 94	HB

### Dimensions

Dimensional drawing	
Width	19.8 mm
Height	55.8 mm
Pitch	-

# KGS-MSTB 2,5/15 - Cable housing

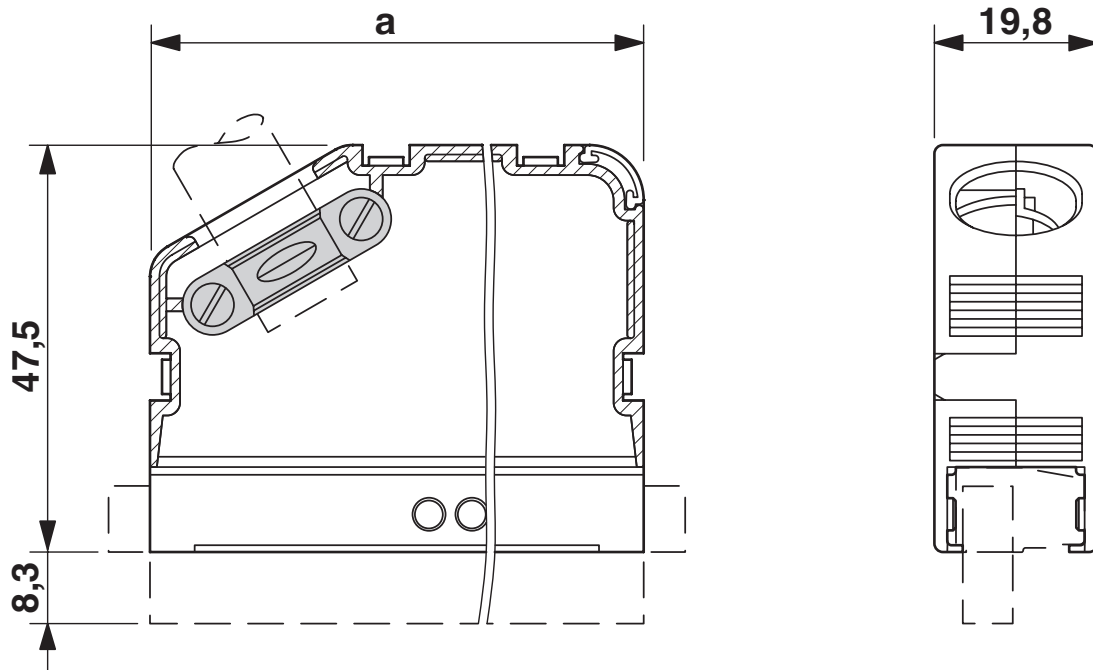
1783847

<https://www.phoenixcontact.com/us/products/1783847>



## Drawings

Dimensional drawing



# KGS-MSTB 2,5/15 - Cable housing



1783847

<https://www.phoenixcontact.com/us/products/1783847>

## Classifications

### ECLASS

ECLASS-13.0	27460402
ECLASS-15.0	27460402

### ETIM

ETIM 9.0	EC002943
----------	----------

### UNSPSC

UNSPSC 21.0	39121400
-------------	----------

# KGS-MSTB 2,5/15 - Cable housing



1783847

<https://www.phoenixcontact.com/us/products/1783847>

## Environmental product compliance

### EU RoHS

Fulfills EU RoHS substance requirements	Yes, No exemptions
---	--------------------

### China RoHS

Environment friendly use period (EFUP)	EFUP-E
	No hazardous substances above the limits

### EU REACH SVHC

REACH candidate substance (CAS No.)	No substance above 0.1 wt%
-------------------------------------	----------------------------

Phoenix Contact 2025 © - all rights reserved  
<https://www.phoenixcontact.com>

Phoenix Contact USA  
586 Fulling Mill Road  
Middletown, PA 17057, United States  
(+717) 944-1300  
[info@phoenixcon.com](mailto:info@phoenixcon.com)