

# ST-MKDSP 3/5 - Test plug

1718207

<https://www.phoenixcontact.com/us/products/1718207>



Please be informed that the data shown in this PDF document is generated from our online catalog. Please find the complete data in the user documentation. Our general terms of use for downloads are valid.

Test plug terminal block, color: black, product range: Test plug



## Commercial data

Item number	1718207
Packing unit	10 pc
Minimum order quantity	10 pc
Note	Made to order (non-returnable)
Sales key	AA18
Product key	AARZFA
GTIN	4017918024819
Weight per piece (including packing)	14.11 g
Weight per piece (excluding packing)	11.376 g
Customs tariff number	85366990
Country of origin	DE

# ST-MKDSP 3/5 - Test plug

1718207

<https://www.phoenixcontact.com/us/products/1718207>

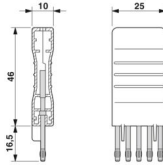


## Technical data

### Product properties

Product type	Test plug terminal block
Product family	Test plug
Number of positions	1
Pitch	0 mm

### Dimensions

Dimensional drawing	
Pitch	-

### Material specifications

Color (Housing)	black (RAL 9005)
-----------------	------------------

# ST-MKDSP 3/5 - Test plug

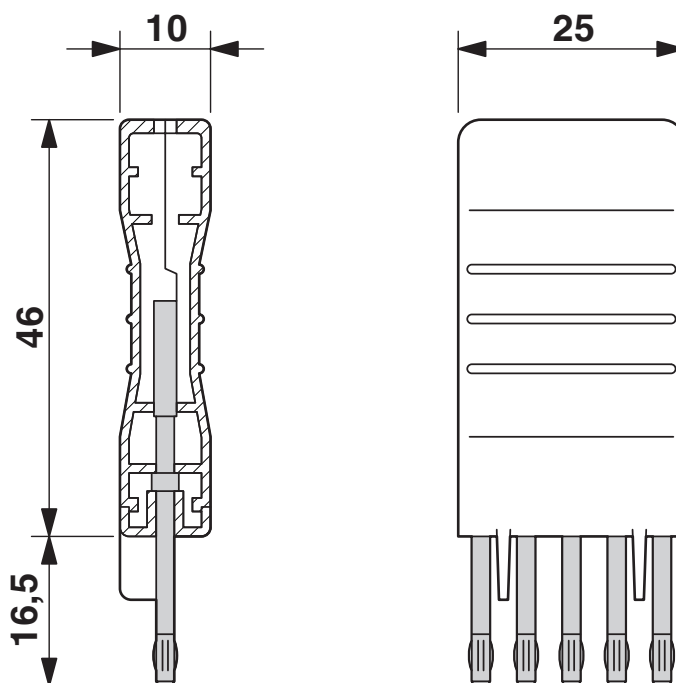
1718207

<https://www.phoenixcontact.com/us/products/1718207>



## Drawings

Dimensional drawing



# ST-MKDSP 3/5 - Test plug

1718207

<https://www.phoenixcontact.com/us/products/1718207>



## Classifications

### ECLASS

ECLASS-13.0	27440313
ECLASS-15.0	27440313

### ETIM

ETIM 9.0	EC002255
----------	----------

### UNSPSC

UNSPSC 21.0	20122000
-------------	----------

1718207

<https://www.phoenixcontact.com/us/products/1718207>

## Environmental product compliance

### EU RoHS

Fulfills EU RoHS substance requirements	Yes
Exemption	6(c)

### China RoHS

Environment friendly use period (EFUP)	EFUP-50
	An article-related China RoHS declaration table can be found in the download area for the respective article under "Manufacturer declaration". For all articles with EFUP-E, no China RoHS declaration table issued and required.

### EU REACH SVHC

REACH candidate substance (CAS No.)	Lead(CAS: 7439-92-1)
SCIP	3d4d718d-8e67-4538-8a7e-638515dea69e

Phoenix Contact 2025 © - all rights reserved

<https://www.phoenixcontact.com>

Phoenix Contact USA  
586 Fulling Mill Road  
Middletown, PA 17057, United States  
(+717) 944-1300  
[info@phoenixcon.com](mailto:info@phoenixcon.com)