

# AKG 35 GNYE - Connection terminal block



0424026

<https://www.phoenixcontact.com/us/products/0424026>

Please be informed that the data shown in this PDF document is generated from our online catalog. Please find the complete data in the user documentation. Our general terms of use for downloads are valid.



Connection terminal block, nom. voltage: 300 V, nominal current: 125 A, connection method: Screw connection, Rated cross section: 35 mm<sup>2</sup>, cross section: 2.5 mm<sup>2</sup> - 35 mm<sup>2</sup>, mounting: Neutral busbar, color: green-yellow

## Commercial data

Item number	0424026
Packing unit	50 pc
Minimum order quantity	50 pc
Sales key	BE73
Product key	BE7331
GTIN	4017918002053
Weight per piece (including packing)	20.078 g
Weight per piece (excluding packing)	20.37 g
Customs tariff number	85369010
Country of origin	PL

# AKG 35 GNYE - Connection terminal block



0424026

<https://www.phoenixcontact.com/us/products/0424026>

## Technical data

### Product properties

Product type	Installation terminal block
Number of connections	1
Number of rows	1

### Electrical properties

Maximum load current	125 A (with 35 mm <sup>2</sup> conductor cross-section)
Maximum power dissipation for nominal condition	4.06 W
Nominal current I <sub>N</sub>	125 A
Current carrying capacity of the neutral busbar	140 A

### Connection data

Nominal cross section	35 mm <sup>2</sup>
Maximum load current	125 A (with 35 mm <sup>2</sup> conductor cross-section)

#### Level 1 above 1 below 1

Connection method	Screw connection
Screw thread	M6
Tightening torque	3.2 ... 3.7 Nm
Stripping length	16 mm
Connection in acc. with standard	IEC / EN
Conductor cross-section rigid	2.5 mm <sup>2</sup> ... 35 mm <sup>2</sup>
Cross section AWG	12 ... 2 (converted acc. to IEC)
Conductor cross-section flexible	2.5 mm <sup>2</sup> ... 35 mm <sup>2</sup>
Conductor cross-section, flexible [AWG]	12 ... 2 (converted acc. to IEC)
Conductor cross-section flexible (ferrule without plastic sleeve)	2.5 mm <sup>2</sup> ... 35 mm <sup>2</sup>
Flexible conductor cross-section (ferrule with plastic sleeve)	2.5 mm <sup>2</sup> ... 35 mm <sup>2</sup>
2 conductors with same cross section, solid	1.5 mm <sup>2</sup> ... 16 mm <sup>2</sup>
2 conductors with same cross section, flexible	1.5 mm <sup>2</sup> ... 16 mm <sup>2</sup>
2 conductors with same cross section, flexible, with ferrule without plastic sleeve	1.5 mm <sup>2</sup> ... 16 mm <sup>2</sup>
2 conductors with the same cross section, flexible, with TWIN ferrule with plastic sleeve	1.5 mm <sup>2</sup> ... 10 mm <sup>2</sup>
Nominal current	125 A
Maximum load current	125 A (with 35 mm <sup>2</sup> conductor cross-section)
Nominal voltage	300 V
Nominal cross section	35 mm <sup>2</sup>

### Dimensions

# AKG 35 GNYE - Connection terminal block



0424026

<https://www.phoenixcontact.com/us/products/0424026>

Dimensional drawing	
Width	14.3 mm
Height	27.3 mm
Depth	40 mm
Length	27.3 mm

## Material specifications

Color	green-yellow
Flammability rating according to UL 94	V2
Insulating material	PA
Static insulating material application in cold	-40 °C
Temperature index of insulation material (DIN EN 60216-1 (VDE 0304-21))	125 °C
Relative insulation material temperature index (Elec., UL 746 B)	125 °C

## Environmental and real-life conditions

### Ambient conditions

Ambient temperature (operation)	-60 °C ... 110 °C (Operating temperature range incl. self-heating; for max. short-term operating temperature, see RTI Elec.)
Ambient temperature (storage/transport)	-25 °C ... 60 °C (for a short time, not exceeding 24 h, -60 °C to +70 °C)
Ambient temperature (assembly)	-5 °C ... 70 °C
Ambient temperature (actuation)	-5 °C ... 70 °C
Permissible humidity (operation)	20 % ... 90 %
Permissible humidity (storage/transport)	30 % ... 70 %

## Standards and regulations

Connection in acc. with standard	IEC / EN
----------------------------------	----------

## Mounting

Mounting type	Neutral busbar
---------------	----------------

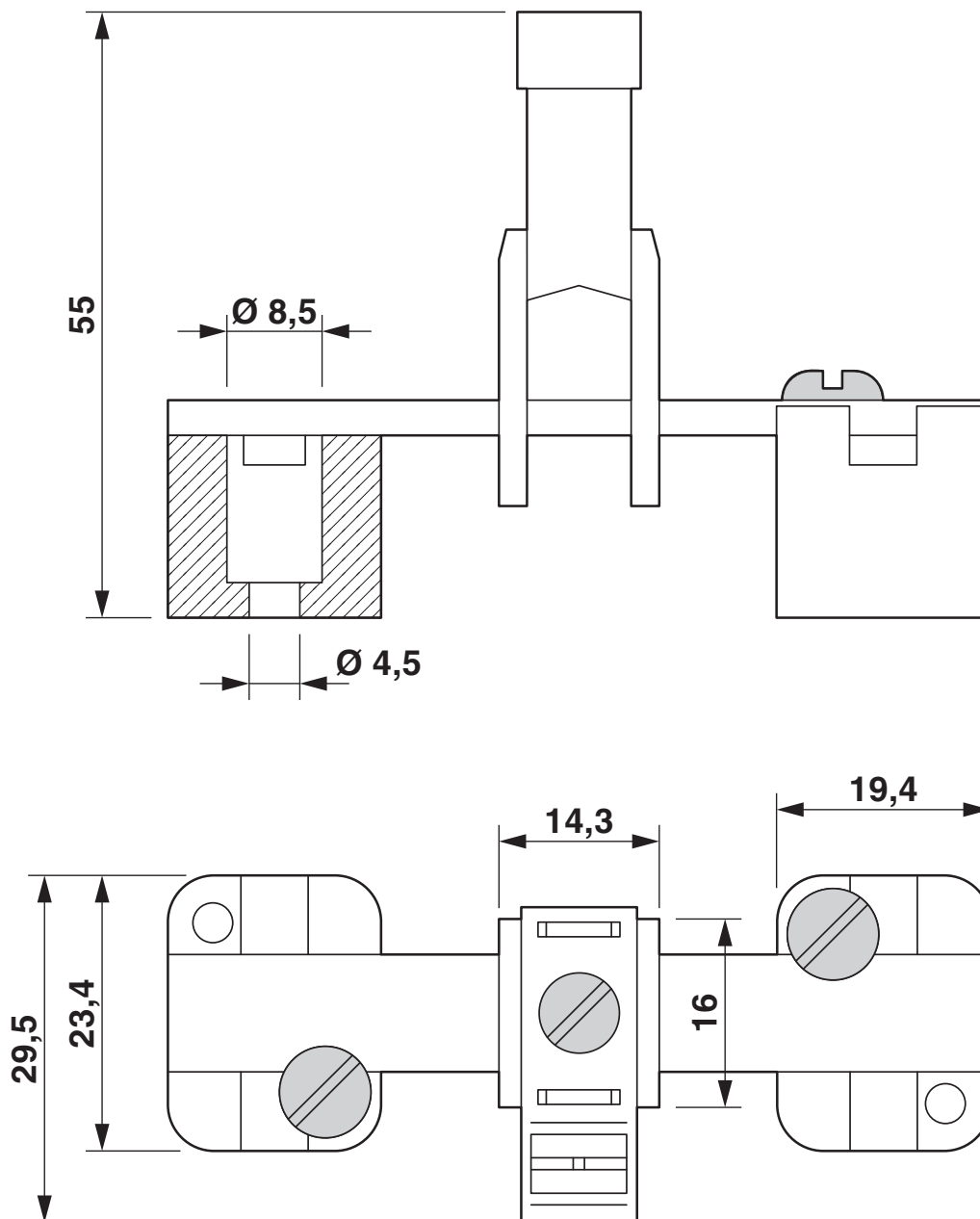
# AKG 35 GNYE - Connection terminal block

0424026

<https://www.phoenixcontact.com/us/products/0424026>

## Drawings

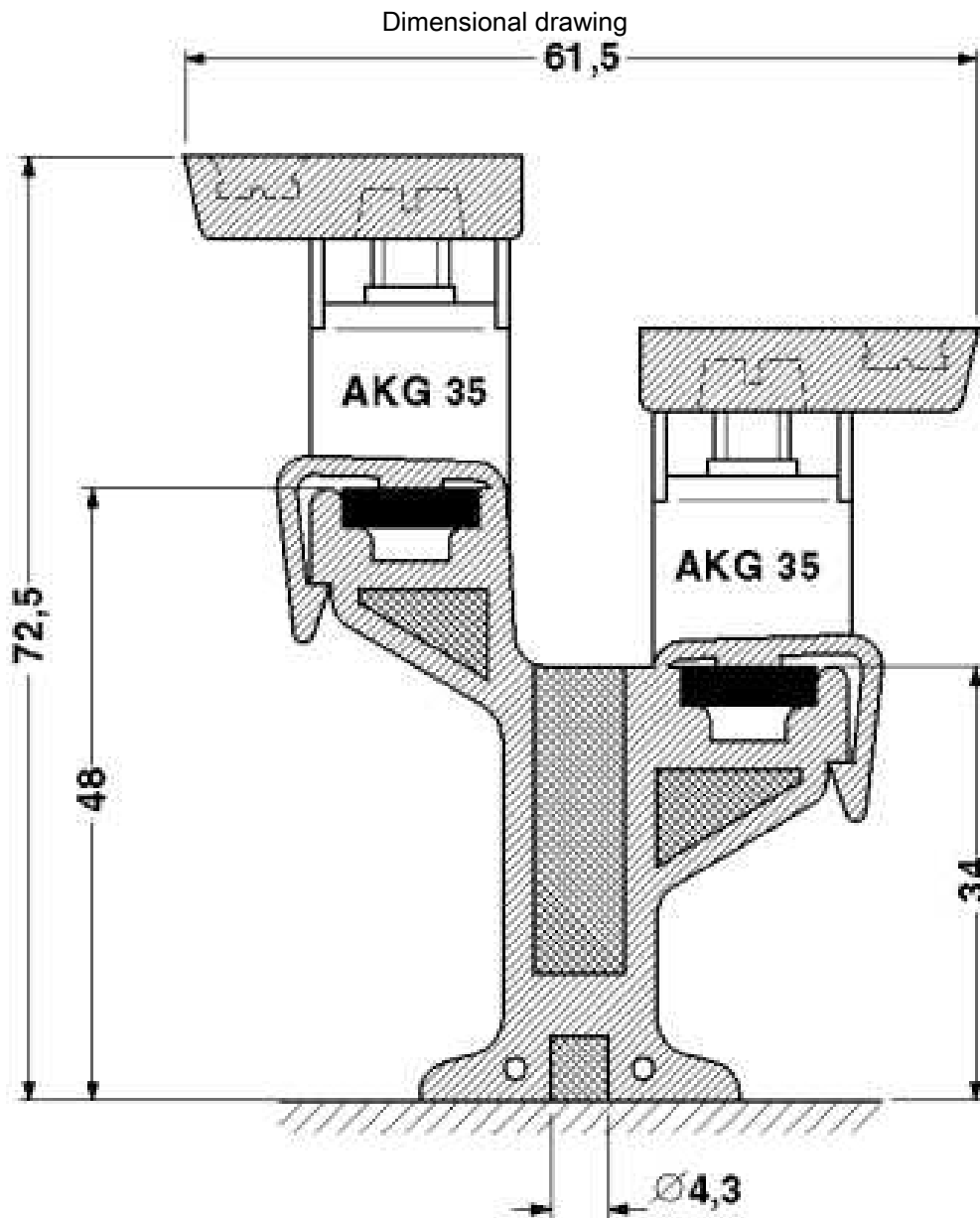
Dimensional drawing



# AKG 35 GNYE - Connection terminal block

0424026

<https://www.phoenixcontact.com/us/products/0424026>



# AKG 35 GNYE - Connection terminal block





0424026


<https://www.phoenixcontact.com/us/products/0424026>

## Approvals

To download certificates, visit the product detail page: <https://www.phoenixcontact.com/us/products/0424026>

 <b>CSA</b> Approval ID: 13631				
	Nominal voltage $U_N$	Nominal current $I_N$	Cross section AWG	Cross section $\text{mm}^2$
keine				
	-	135 A	18 - 2	-

 <b>UL Recognized</b> Approval ID: E60425				
	Nominal voltage $U_N$	Nominal current $I_N$	Cross section AWG	Cross section $\text{mm}^2$
B				
	-	-	18 - 2	-
C				
	-	-	18 - 2	-
F				
	-	-	18 - 2	-

 <b>EAC</b> Approval ID: KZ7500651131219505				
---	--	--	--	--

# AKG 35 GNYE - Connection terminal block



0424026

<https://www.phoenixcontact.com/us/products/0424026>

## Classifications

### ECLASS

ECLASS-13.0	27250116
ECLASS-15.0	27250116

### ETIM

ETIM 9.0	EC000001
----------	----------

### UNSPSC

UNSPSC 21.0	31162900
-------------	----------

# AKG 35 GNYE - Connection terminal block



0424026

<https://www.phoenixcontact.com/us/products/0424026>

## Environmental product compliance

### EU RoHS

Fulfills EU RoHS substance requirements	Yes, No exemptions
---	--------------------

### China RoHS

Environment friendly use period (EFUP)	EFUP-E
	No hazardous substances above the limits

### EU REACH SVHC

REACH candidate substance (CAS No.)	No substance above 0.1 wt%
-------------------------------------	----------------------------

Phoenix Contact 2025 © - all rights reserved  
<https://www.phoenixcontact.com>

Phoenix Contact USA  
586 Fulling Mill Road  
Middletown, PA 17057, United States  
(+717) 944-1300  
[info@phoenixcon.com](mailto:info@phoenixcon.com)