

# PSBJ 3,5/18/6 VT - Test plug strip



0311362

<https://www.phoenixcontact.com/us/products/0311362>

Please be informed that the data shown in this PDF document is generated from our online catalog. Please find the complete data in the user documentation. Our general terms of use for downloads are valid.

Test plug strip, number of positions: 1, color: violet



## Your advantages

- The test socket PSBJ... is used in place of the normal bridge screw and ensures the voltage pick-off on a bridged group of terminals
- The test sockets are tailored to the special applications encountered in the power supply industry

## Commercial data

Item number	0311362
Packing unit	10 pc
Minimum order quantity	10 pc
Sales key	BE19
Product key	BE1Z3X
GTIN	4017918001452
Weight per piece (including packing)	3.73 g
Weight per piece (excluding packing)	3.73 g
Customs tariff number	85366990
Country of origin	PL

# PSBJ 3,5/18/6 VT - Test plug strip

0311362

<https://www.phoenixcontact.com/us/products/0311362>

## Technical data


### Product properties

Product type	Test socket
Number of positions	1

### Connection data

Connection method	Screw connection
-------------------	------------------

### Dimensions

Dimensional drawing	
Width	6 mm
Height	6 mm
Depth on NS 35/7,5	15 mm
Pin diameter	4.1 mm

### Material specifications

Color	violet (RAL 4005)
Material	Brass
Insulating material	PA
Contact material	PE-LD, silver-plated brass

### Environmental and real-life conditions

#### Ambient conditions

Ambient temperature (operation)	-40 °C ... 80 °C
---------------------------------	------------------

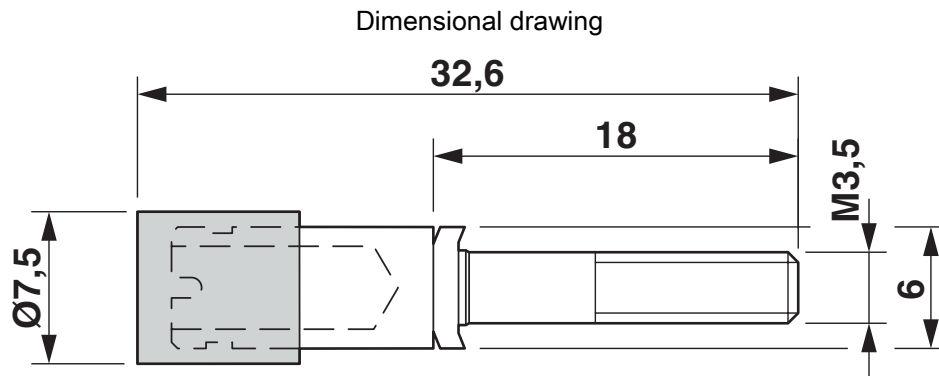
# PSBJ 3,5/18/6 VT - Test plug strip

0311362

<https://www.phoenixcontact.com/us/products/0311362>



## Drawings



# PSBJ 3,5/18/6 VT - Test plug strip



0311362

<https://www.phoenixcontact.com/us/products/0311362>

## Classifications

### ECLASS

ECLASS-13.0	27250304
ECLASS-15.0	27250304

### ETIM

ETIM 9.0	EC002555
----------	----------

### UNSPSC

UNSPSC 21.0	20122000
-------------	----------

# PSBJ 3,5/18/6 VT - Test plug strip



0311362

<https://www.phoenixcontact.com/us/products/0311362>

## Environmental product compliance

### China RoHS

Environment friendly use period (EFUP)	EFUP-E
	No hazardous substances above the limits

### EU REACH SVHC

REACH candidate substance (CAS No.)	No substance above 0.1 wt%
-------------------------------------	----------------------------

Phoenix Contact 2025 © - all rights reserved  
<https://www.phoenixcontact.com>

Phoenix Contact USA  
586 Fulling Mill Road  
Middletown, PA 17057, United States  
(+717) 944-1300  
[info@phoenixcon.com](mailto:info@phoenixcon.com)