

# HC-M-05L-TPT-F - Contact insert module



1423962

<https://www.phoenixcontact.com/us/products/1423962>

Please be informed that the data shown in this PDF document is generated from our online catalog. Please find the complete data in the user documentation. Our general terms of use for downloads are valid.



Contact insert module, number of positions: 5, power contacts: 5, control contacts: 0, number of connections per position: 2, Socket, Push-in connection, 230 V/400 V, 16 A, 0.25 mm<sup>2</sup> ... 1.5 mm<sup>2</sup>, application: Power

## Your advantages

- Easy installation without tools, even when mounted, with push-in connection technology
- Shortest installation time compared to other connection technologies
- Quick and effortless wiring, in particular when space is tight
- Automatic cabling with robots possible
- Safe wiring and operation with color-coded actuators
- Shock and vibration-resistant in accordance with DIN EN 61373
- Double conductor connection per pos.

## Commercial data

Item number	1423962
Packing unit	1 pc
Minimum order quantity	1 pc
Sales key	BF62
Product key	AF7ACE
GTIN	4055626365817
Weight per piece (including packing)	19.1 g
Weight per piece (excluding packing)	18 g
Customs tariff number	85366990
Country of origin	PL

# HC-M-05L-TPT-F - Contact insert module



1423962

<https://www.phoenixcontact.com/us/products/1423962>

## Technical data

### Notes

General	Use only flexible conductors with ferrule (in conjunction with CRIMPFOX 6 only)
General	Connectors may be operated only when there is no load/voltage.
General	For HEAVYCON housing type B6 to B48, HC-M-B...MF... module carrier frame required

### Mounting

Assembly note	To ensure correct use, installation in housing with IP54 protection or better is required
---------------	---

### Product properties

Product type	Modular contact insert
Series	HC-M-05-T
Application	Power
Number of positions	5
Connection profile	5
Contact numbering	1 - 5
Number of connections per position	2
Number of module slots	1
No. of power contacts	5
No. of control contacts	0
Contact material type	rolled

### Insulation characteristics

Overvoltage category	III
Degree of pollution	3

### Connection data

#### Connection technology

Connection technology	Push-in connection
Number of connections per position	2

#### Conductor connection

Conductor cross section	0.25 mm <sup>2</sup> ... 1.5 mm <sup>2</sup>
Connection cross section AWG	24 ... 16
Stripping length of the individual wire	8 mm ± 1 mm

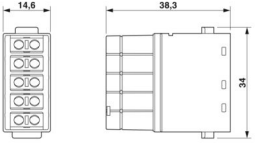
### Dimensions

# HC-M-05L-TPT-F - Contact insert module



1423962

<https://www.phoenixcontact.com/us/products/1423962>

Dimensional drawing	
Width	34 mm
Height	38 mm
Length	14.6 mm

## Mechanical characteristics

Contact diameter	2.5 mm
------------------	--------

## Electrical properties

Rated voltage (III/3)	230 V (Conductor-PE)
	400 V (Conductor-Conductor)
Rated voltage for power contacts	230/400 V
Rated surge voltage	4 kV
Rated current	16 A
SCCR	5 kA (UL 2237)

## Mechanical properties

### Mechanical data

Insertion/withdrawal cycles	≥ 500
-----------------------------	-------

## Material specifications

Flammability rating according to UL 94	V0
Contact material	Copper alloy
Contact surface material	Ag
Contact carrier material	PA
Standards/regulations	PA

## Environmental and real-life conditions

### Ambient conditions

Ambient temperature (operation)	-40 °C ... 125 °C
---------------------------------	-------------------

## Standards and regulations

Constructional and testing regulations	DIN EN 61984
	DIN EN 60664
Tests	DIN EN 61984
	DIN EN 60664

### Testing

Standards/regulations	PA: Fire protection in rail vehicles - requirement sets R22, R23, and R24 acc. to DIN EN 45545-2 (Risk level HL1 - HL3)
-----------------------	---

# HC-M-05L-TPT-F - Contact insert module

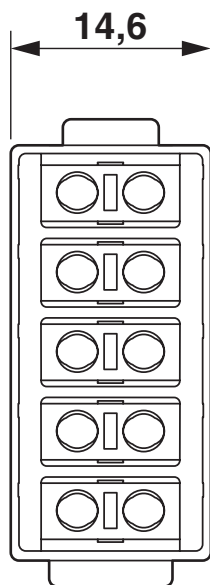


1423962

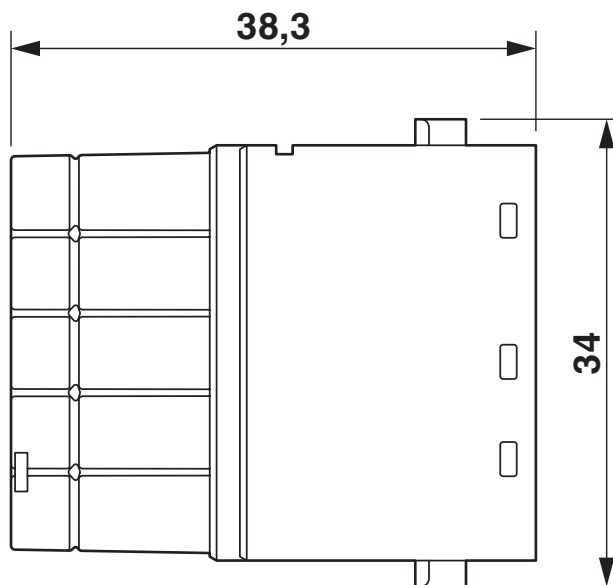
<https://www.phoenixcontact.com/us/products/1423962>

## Drawings

Dimensional drawing



Dimensional drawing



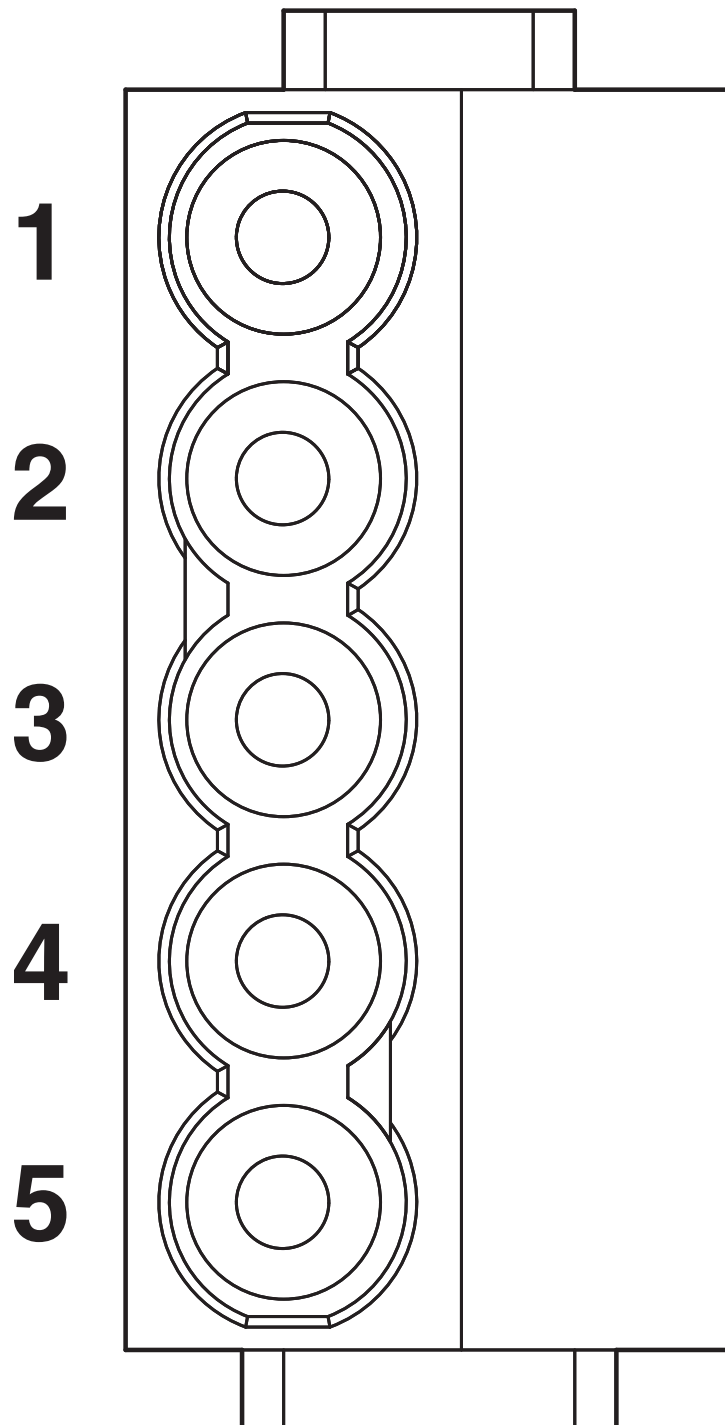
# HC-M-05L-TPT-F - Contact insert module

1423962

<https://www.phoenixcontact.com/us/products/1423962>



Schematic diagram



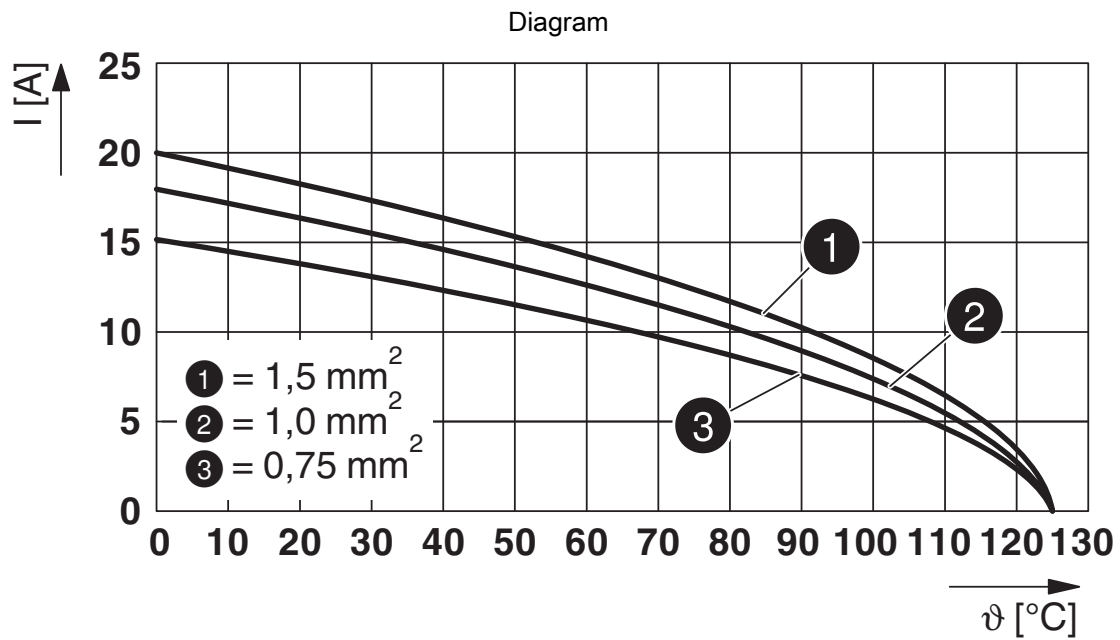
Connector pin assignment, connection side

# HC-M-05L-TPT-F - Contact insert module



1423962

<https://www.phoenixcontact.com/us/products/1423962>



Derating diagram

# HC-M-05L-TPT-F - Contact insert module





1423962


<https://www.phoenixcontact.com/us/products/1423962>


## Approvals

To download certificates, visit the product detail page: <https://www.phoenixcontact.com/us/products/1423962>

 <b>UL Recognized</b> Approval ID: E468743				
	Nominal voltage $U_N$	Nominal current $I_N$	Cross section AWG	Cross section $\text{mm}^2$
keine				
	600 V	16 A	-	-

 <b>CSA</b> Approval ID: 13631				
	Nominal voltage $U_N$	Nominal current $I_N$	Cross section AWG	Cross section $\text{mm}^2$
keine				
	600 V	12 A	- 16	-

 <b>UL Recognized</b> Approval ID: E118976				
	Nominal voltage $U_N$	Nominal current $I_N$	Cross section AWG	Cross section $\text{mm}^2$
keine				
	600 V	16 A	-	-

 <b>VDE approval of drawings</b> Approval ID: 40050148				
	Nominal voltage $U_N$	Nominal current $I_N$	Cross section AWG	Cross section $\text{mm}^2$
keine				
	400 V	10 A	-	0.25 - 2.5

# HC-M-05L-TPT-F - Contact insert module



1423962

<https://www.phoenixcontact.com/us/products/1423962>

## Classifications

### ECLASS

ECLASS-15.0	27440217
ECLASS-13.0	27440217

### ETIM

ETIM 9.0	EC000438
----------	----------

### UNSPSC

UNSPSC 21.0	39121400
-------------	----------



# HC-M-05L-TPT-F - Contact insert module



1423962

<https://www.phoenixcontact.com/us/products/1423962>

## Environmental product compliance

### EU RoHS

Fulfills EU RoHS substance requirements	Yes, No exemptions
---	--------------------

### China RoHS

Environment friendly use period (EFUP)	EFUP-E
	No hazardous substances above the limits

### EU REACH SVHC

REACH candidate substance (CAS No.)	No substance above 0.1 wt%
-------------------------------------	----------------------------

Phoenix Contact 2025 © - all rights reserved  
<https://www.phoenixcontact.com>

Phoenix Contact USA  
586 Fulling Mill Road  
Middletown, PA 17057, United States  
(+717) 944-1300  
[info@phoenixcon.com](mailto:info@phoenixcon.com)