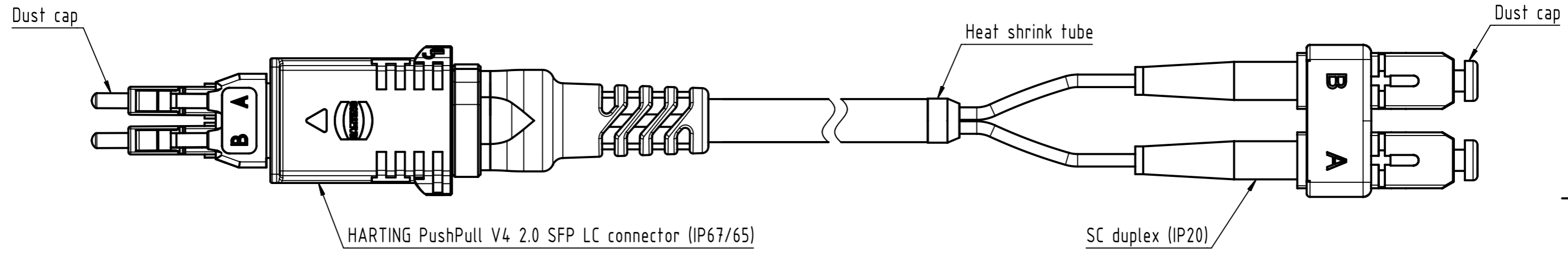
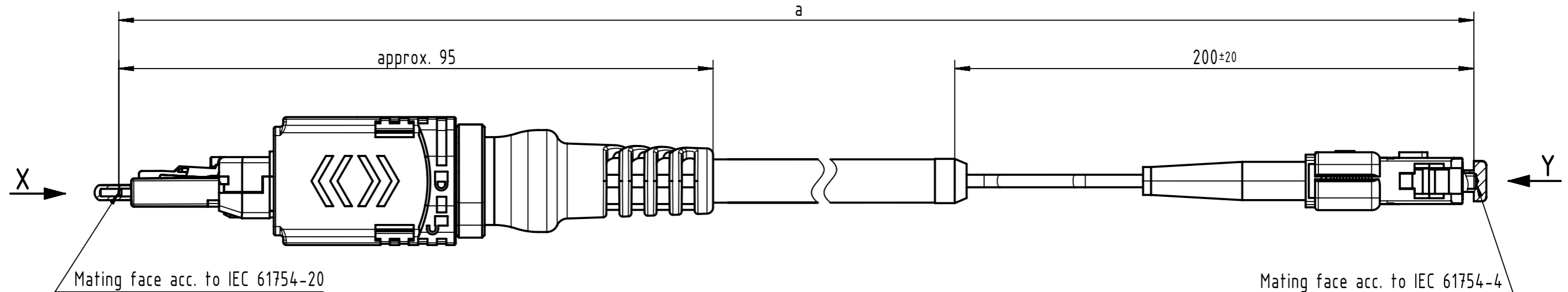


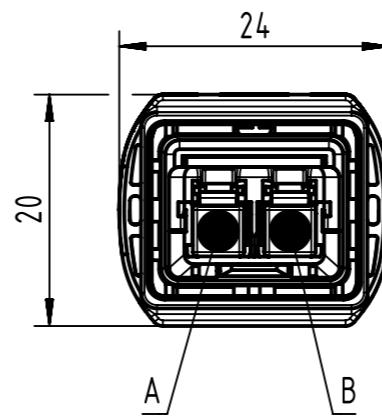
Connector Location A

Connector Location B



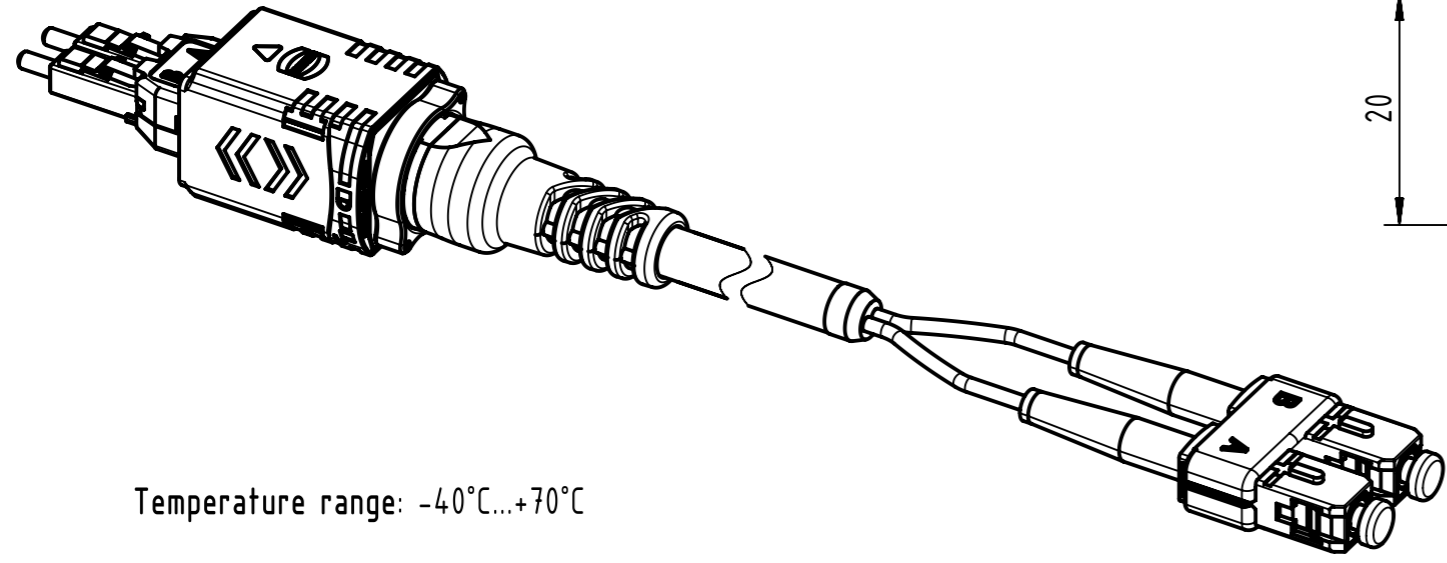
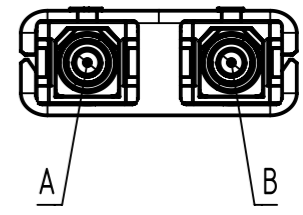
X
(without dust cap)

Y
(without dust cap)




Loading-Plan

A — fiber 1 — B
B — fiber 2 — A



Temperature range: -40°C...+70°C

	All rights reserved		Tech. Character.		Free size tol.		According to production drawing	
	Department HCS - RO		Created by COSTEA	Inspected by COSTEA	Standardisation MUNTEANV	Date 2018-07-19	State Final Release	
HARTING Customised Solutions D-32339 Espelkamp		Title FO CA PP2-SCdx, 62,5µ, OM1			Doc-Key / ECM-Nr. 100677835/UGD/009/D 500000137839		Rev. D	Page 1/2
		Type TB	Number 3361431XXX0006					

Cont. no.	Part no.	Type of cable	Dim. a[m]	Technical Information				Title		Doc-Key / ECM-Nr.						
27	3361431100006	Fiber optic, multi mode 62.5/125 μm	100	 All rights reserved Department HCS - RO HARTING Customised Solutions D-32339 Espelkamp	Created by COSTEA	Inspected by COSTEA	Standardisation MUNTEANV	Date 2018-07-19	State Final Release	100677835/UGD/009/D 500000137839						
26	3361431090006		90								Type TB		Number 3361431XXX0006		Rev. D	Page 2/2
25	3361431080006		80								Title FO CA PP2-SCdx, 62,5μ, OM1					
24	3361431070006		70													
23	3361431060006		60													
22	3361431050006		50													
21	33614310450006		45													
20	3361431040006		40													
19	33614310350006		35													
18	3361431030006		30													
17	33614310250006		25													
16	3361431020006		20													
15	33614310150006		15													
14	33614310140006		14													
13	33614310130006		13													
12	33614310120006		12													
11	33614310110006		11													
10	3361431010006		10													
9	33614310090006		9													
8	33614310080006		8													
7	33614310070006		7													
6	33614310060006		6													
5	33614310050006		5													
4	33614310040006		4													
3	33614310030006		3													
2	33614310020006		2													
1	33614310010006		1													

 All Dimensions in mm
 Tech. Character. Free size tol. According to production drawing

HARTING logo
 All rights reserved
 Department HCS - RO
 HARTING Customised Solutions
 D-32339 Espelkamp

Created by COSTEA
 Inspected by COSTEA
 Standardisation MUNTEANV
 Date 2018-07-19
 State Final Release

Title FO CA PP2-SCdx, 62,5μ, OM1
 Type TB
 Number 3361431XXX0006

Doc-Key / ECM-Nr.
 100677835/UGD/009/D
 500000137839
 Rev. D
 Page 2/2