

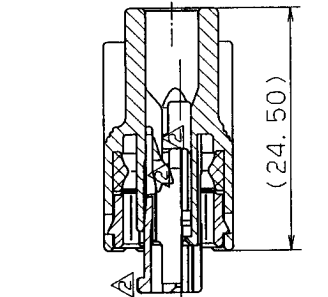
1 2 3

TABLE 1

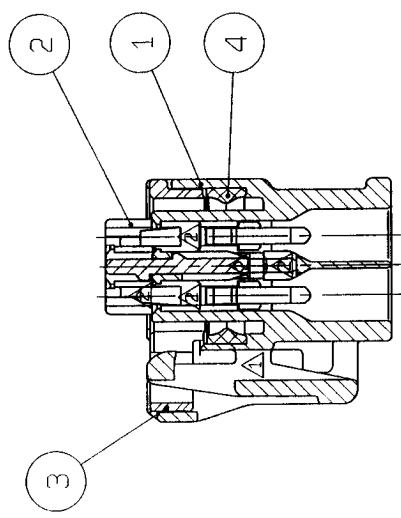
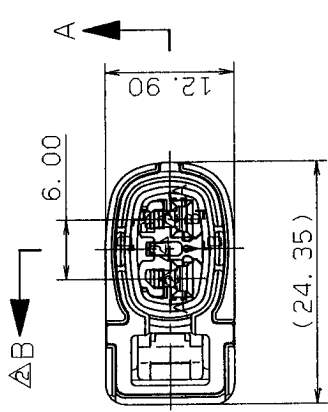
SUB ASSEMBLY PART NO. AND CH. CODE	PART NO. AND CH. CODE	MATERIAL	COLOR	QTY.
7283-8226 ETC.	① SEE TABLE 2	PBT	SEE TABLE 2	1
	② 7157-4427	PBT	NATURAL	1
	③ SEE TABLE 2	PBT	SEE TABLE 2	1
	④ 7137-2609-80	SILICONE RUBBER	DARK BROWN	1

TABLE 2

SUB ASSEMBLY PART NO. AND CH. CODE	HOUSING PART NO. AND CH. CODE	PACKING HOLDER PART NO. AND CH. CODE	COLOR
7283-8226- <input checked="" type="checkbox"/>	7183-8226	7157-4235	NATURAL
7283-8226-30- <input checked="" type="checkbox"/>	7183-8226-30	7157-4235-30	BLACK
7283-8226-40- <input checked="" type="checkbox"/>	7183-8226-40	7157-4235-40	LIGHT GRAY
7283-8226-80- <input checked="" type="checkbox"/>	7183-8226-80	7157-4235-80	BROWN



SEC. B-B



SEC. A-A

注記
 △ 1. 適用端子品番 : 090II 7116-4025 ETC.
 NOTE
 △ 1. APPLICABLE TERMINAL NO. : 090II 7116-4025 ETC.

LET	DATE	REVISION RECORD	NO.	CHKD	CUSTOMER PART NO.	CUSTOMER DWG NO.	MATL. SPEC.	SEE TABLE 1	TREAT. & F.IN.	ISSUE MARK
△	99.02.03	ELIMINATED COLOR NO. . .	C99-L188	S. S						
△	96.06.14	CHANGED FORM & NOTE. <input checked="" type="checkbox"/>	C96-M115	A. Y						
	93.04.13	NEW	C93-L442	H. F						
GENERAL TOLERANCE										
A	±0.15	±0.2	±0.3	±0.5	±0.75	±30'	0.1			
B	±0.2	±0.3	±0.55	±1.4	±30'	0.1				
C	±0.3	±0.5	±0.8	±1.4	±30'	0.15				
SPECIFIED										
DWG. DATE		99.02.09		99.02.09		99.02.09		99.02.09		99.02.03
APPROVED		山梨 裕 隆		山梨 裕 隆		山梨 裕 隆		山梨 裕 隆		山梨 裕 隆
DESIGN		YAMAMOTO		YAMAMOTO		YAMAMOTO		YAMAMOTO		HIRATA
DRAWN		HIRATA		HIRATA		HIRATA		HIRATA		HIRATA
DWG. NO.		7283-8226:R		7283-8226:R		7283-8226:R		7283-8226:R		7283-8226:R
PART NO.		7283-8226 ETC.		7283-8226 ETC.		7283-8226 ETC.		7283-8226 ETC.		7283-8226 ETC.
NAME		090II 2P SEALED CONNECTOR		090II 2P SEALED CONNECTOR		090II 2P SEALED CONNECTOR		090II 2P SEALED CONNECTOR		090II 2P SEALED CONNECTOR
TRIAL PART NO.		HOUSING FEMALE SUB ASSEMBLY		HOUSING FEMALE SUB ASSEMBLY		HOUSING FEMALE SUB ASSEMBLY		HOUSING FEMALE SUB ASSEMBLY		HOUSING FEMALE SUB ASSEMBLY
VENDOR		YAZAKI CORPORATION		YAZAKI CORPORATION		YAZAKI CORPORATION		YAZAKI CORPORATION		YAZAKI CORPORATION



3

2

1