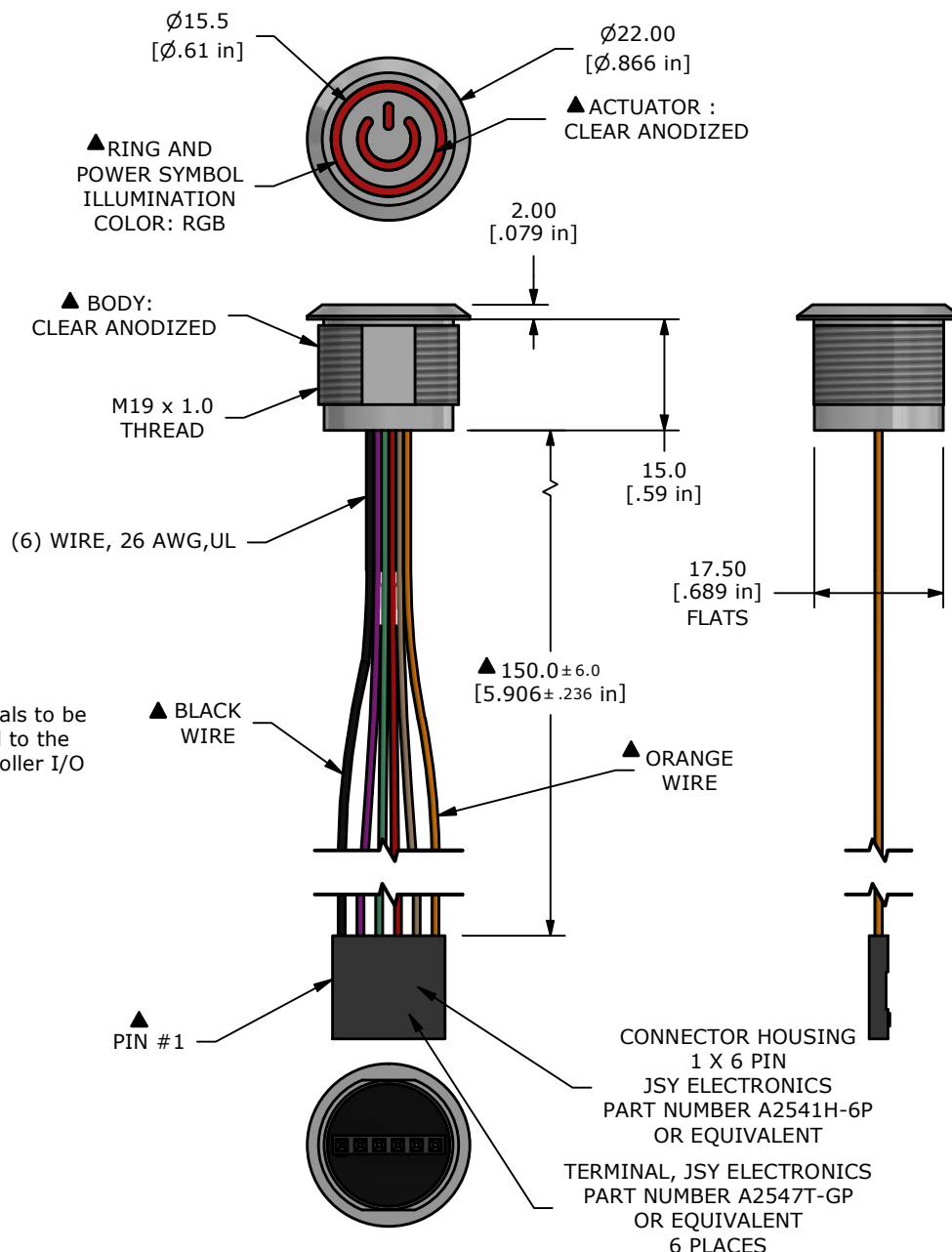


NOTE:

1. ALL DIMENSIONS IN MM [INCH]
2. GENERAL TOLERANCE: X.X = ±0.4
X.XX = ±0.25
3. TERMINAL NUMBERS FOR REF ONLY
4. CONTACT RESISTANCE: 1 OHM MAX.
5. RATING: 1A @ 5-24VDC
6. INGRESS PROTECTION: IP68
7. ELECTRIC LIFE: 50,000,000 CYCLES
8. OPERATING TEMP.: -40°C to 85°C
9. ▲ DENOTES CRITICAL PARAMETER.
10. HARDWARE SUPPLIED: O-RING AND HEXNUT BULK IN BAGS



REV	ECO NO	DESCRIPTION	DATE	BY	E-SWITCH®			OBJECT ID	
C	ECO-102092	NOTE 8 -40C TO 85C WAS -20C TO 65C	07/10/23	JS	TITLE CS4L2FP			000023600	
B	ECO-101884	PRINT UPDATE	05/18/23	JS					
THE INFORMATION CONTAINED IN THIS DOCUMENT IS PROPRIETARY TO E-SWITCH AND IS NOT TO BE COPIED OR TRANSFERRED					SCALE	DATE	DR	DWG	REV
					1:1	9/20/2018	rc	T070002	C