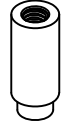
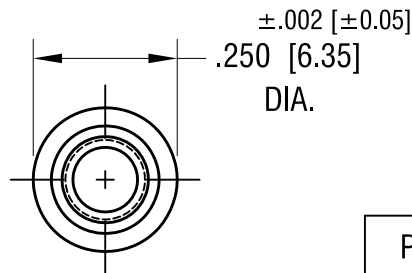
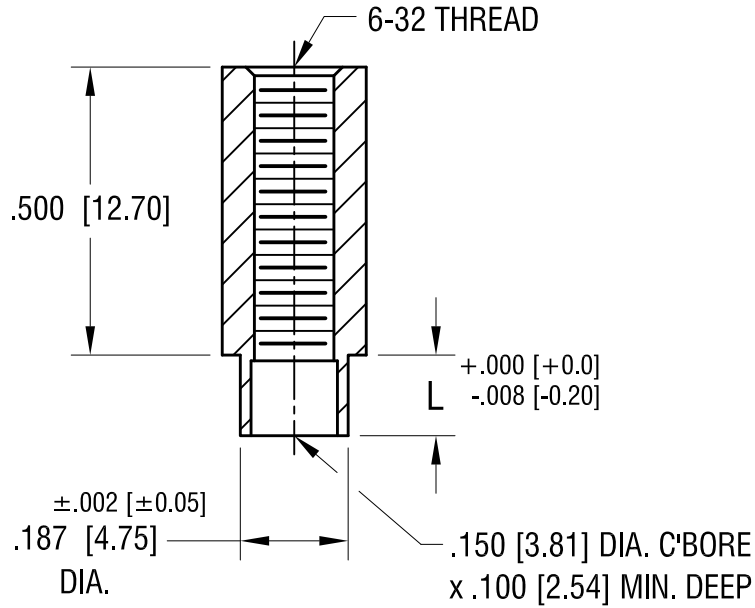


THIS DOCUMENT IS THE PROPERTY OF  
KEYSTONE ELECTRONICS CORP. AND  
SHALL NOT BE REPRODUCED, DISTRIBUTED  
OR USED AS A BASIS FOR MANUFACTURE  
WITHOUT PRIOR WRITTEN PERMISSION  
FROM KEYSTONE ELECTRONICS CORP.

ACTUAL SIZE



P/N 1604-2



PART NO.	'L' DIM.
1604-2	.109 [2.77]
1604-3	.140 [3.56]
1604-4	.171 [4.34]

DATE	DESCRIPTION	REV.
5.27.25	NO CHANGES TO PART.	C
11.22.21	CHANGE AS PER ECN 21-169	B
5.14.02	CHANGE AS PER ECN 02-044	A

<b>KEYSTONE ELECTRONICS CORP.</b>			
www.keyelco.com • NEW HYDE PARK NY 11040 • Tel (516)328-7500			
PART NAME			
SWAGE THREADED STANDOFF			
MATERIAL			
BRASS			
FINISH	DUCTILE NICKEL PLATE	DRN BY	BOONE
		DATE	9.6.96
		APP'D	RH
		SCALE	3X
TOLERANCES	INCH [MM]	CODE	DWG NO.
DECIMAL	± .005 [± 0.13]	C	<b>1604-</b>
ANGULAR	± 1°		
UNLESS OTHERWISE SPECIFIED			