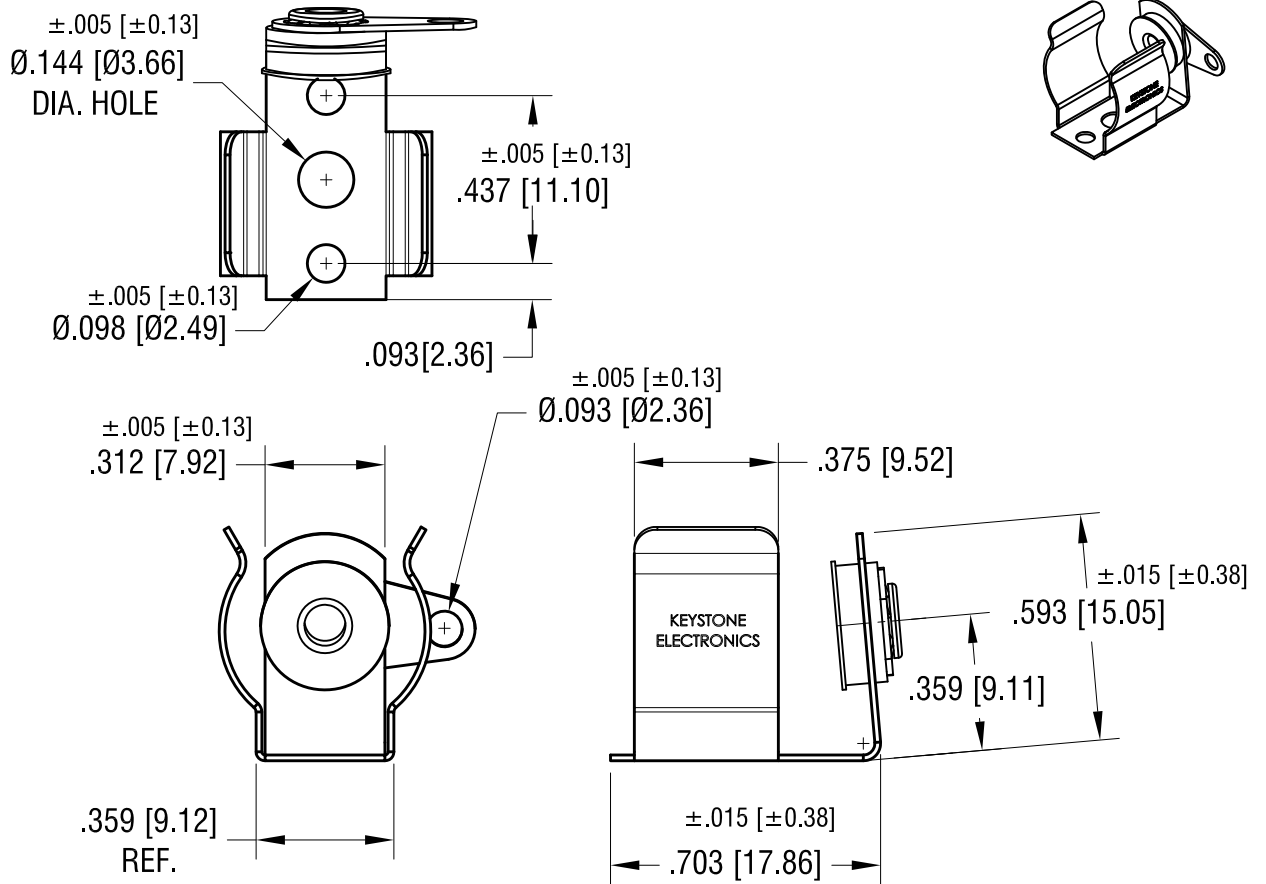


THIS DOCUMENT IS THE PROPERTY OF
KEYSTONE ELECTRONICS CORP. AND
SHALL NOT BE REPRODUCED, DISTRIBUTED
OR USED AS A BASIS FOR MANUFACTURE
WITHOUT PRIOR WRITTEN PERMISSION
FROM KEYSTONE ELECTRONICS CORP.

ACTUAL SIZE



NOTE:

1. CLIP: MAT'L- .015 [0.38] ANNEALED SPRING STEEL
FINISH- NICKEL PLATE
2. CONTACT EYELET:
BRASS, NICKEL PLATE
3. INSULATING WASHER:
MAT'L- VULCANIZED FIBRE
4. LUG TERMINAL
MAT'L- BRASS, MATTE TIN PLATED

KEYSTONE ELECTRONICS CORP.			
www.keyelco.com • NEW HYDE PARK, NY 11040 • Tel (516) 328-7500			
PART NAME		'AA' BATTERY CLIP	
MATERIAL		AS NOTED	
FINISH	AS NOTED	DRN BY	BOONE
		APP'D	RH
		DATE	11.5.81
		SCALE	2X
TOLERANCES	INCH [MM]	CODE	DWG NO.
DECIMAL	± .010 [± 0.25]	C	100
ANGULAR	± 1°		
UNLESS OTHERWISE SPECIFIED			

9.28.98	CHANGE AS PER ECR 98-072	B
3.29.96	REVISED	A
DATE	DESCRIPTION	REV.