

HMIZKB1

USB keyboard - 12 function - keys with LEDs
integrated - alphanumeric input



Main

Range of Product	Harmony HMIZ
Product or Component Type	Keyboard
Product Compatibility	HMIGXO HMISTU HMISTO HMIGTO HMISCU
Device Application	Industrial machines Food and beverage
Provided equipment	1 x User Manual 1 x tightening wrench 1 x anti-rotation tee 1 x USB cable type A/mini-B 5.91 ft (1.8 m) 1 x USB type mini-B cable clamp 1 x fixing nut 1 x replaceable label for function keys

Complementary

Software designation	Vijeo Designer >= V6.2
Connector Type	Mini B USB
Number of key	20
Number of customisable keys	12 with integrated LEDs
Colour of cover	Front dark grey
[Us] rated supply voltage	5 V DC USB 2.0
Supply voltage limits	4.75...5.25 V DC
Power Consumption in W	0.75 W
Shock resistance	147 m/s ² 3 chocks in each direction X, Y and Z IEC 61131-2
Electromagnetic compatibility	Electrostatic discharge immunity test 8 kV air discharge) IEC 61000-4-2 Electrostatic discharge immunity test 6 kV contact discharge) IEC 61000-4-2 Electrical fast transient/burst immunity test 2 kV power ports) IEC 61000-4-4 Electrical fast transient/burst immunity test 1 kV signal ports) IEC 61000-4-4
Mounting Location	Flat surface
Quantity per Set	1 piece
Height	3.15 in (80 mm)
Width	3.84 in (97.6 mm)
Depth	1.24 in (31.5 mm)
Net Weight	0.33 lb(US) (0.15 kg)

Environment

Ambient Air Temperature for Storage	-4...140 °F (-20...60 °C)
Ambient Air Temperature for Operation	32...131 °F (0...55 °C)
Relative humidity	10...90 % 32...102 °F (0...39 °C) non-condensing
Pollution degree	2
Environmental characteristic	Corrosive gas free
Operating altitude	<= 6561.68 ft (2000 m)
Vibration resistance	3.5 mm 5...9 Hz)IEC 61131-2
IP degree of protection	IP65 front panel (in enclosure))
NEMA degree of protection	NEMA 4X indoor installation NEMA 4X enclosed outdoor

Standards	EN 61000-6-4 CSA C22.2 No 213 EN 61000-6-2 CSA C22.2 No 142 ANSI/ISA 12.12.01 EMC 2004/108/EC UL 508
Product Certifications	CE RCM EAC UL/cUL listed
Level or class	Class I Division 2 Groups A/B/C/D

Ordering and shipping details

Category	22000-Temporary Category for ITS Price Promotion
Discount Schedule	I
GTIN	3595864174709
Returnability	No
Country of origin	CN

Packing Units

Unit Type of Package 1	PCE
Number of Units in Package 1	1
Package 1 Height	2.90 in (7.37 cm)
Package 1 Width	5.20 in (13.21 cm)
Package 1 Length	7.40 in (18.8 cm)
Package 1 Weight	0.75 lb(US) (0.34 kg)
Unit Type of Package 2	S03
Number of Units in Package 2	100
Package 2 Height	11.81 in (30 cm)
Package 2 Width	11.81 in (30 cm)
Package 2 Length	15.75 in (40 cm)
Package 2 Weight	66.14 lb(US) (30 kg)

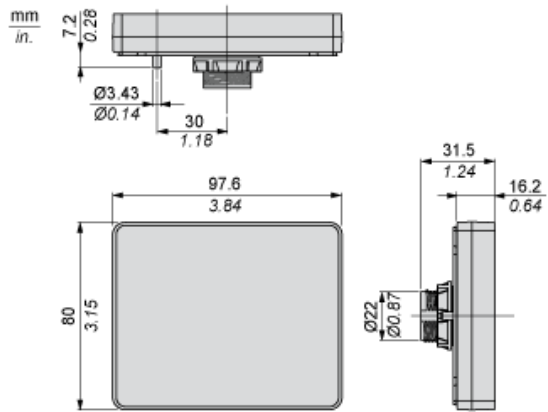
Offer Sustainability

California proposition 65	WARNING: This product can expose you to chemicals including: Lead and lead compounds, which is known to the State of California to cause cancer and birth defects or other reproductive harm. For more information go to www.P65Warnings.ca.gov
EU RoHS Directive	Pro-active compliance (Product out of EU RoHS legal scope) EU RoHS Declaration
Mercury free	Yes
China RoHS Regulation	China RoHS Declaration
RoHS exemption information	Yes
WEEE	The product must be disposed on European Union markets following specific waste collection and never end up in rubbish bins.

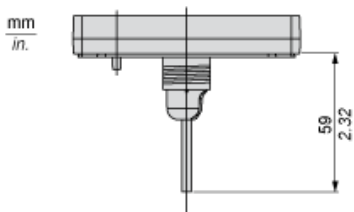
Contractual warranty

Warranty	18 months
----------	-----------

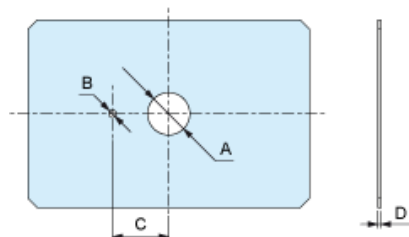
Dimensions



Dimensions with Cables



Mounting of Panel Cut-Out



Dimensions in mm

A	B	C	D
22.50 _{-0.30}	4 _{-0.20}	30 _{-0.20}	1.5...6

Dimensions in in.

A	B	C	D
0.88 _{-0.01}	0.15 _{-0.007}	1.18 _{-0.007}	0.06...0.23