

Product data sheet

Specifications

DIN rail end clip, SE Relays, locking screw



16-DCLIP-1

Main

Product Range	Harmony Electromechanical Relays
Product Type	End bracket

Complementary

Mounting support	Direct mounting on DIN rail
Width	42 mm
Depth	22 mm

Packing Units

Unit Type of Package 1	PCE
Number of Units in Package 1	1
Package 1 Height	4.2 cm
Package 1 Width	0.94 cm
Package 1 Length	2.2 cm
Package 1 Weight	4.5 g
Unit Type of Package 2	BB1
Number of Units in Package 2	10
Package 2 Height	4.0 cm
Package 2 Width	10.0 cm
Package 2 Length	14.0 cm
Package 2 Weight	50.6 g
Unit Type of Package 3	CAR
Number of Units in Package 3	1000
Package 3 Height	22.4 cm
Package 3 Width	24.2 cm
Package 3 Length	25.5 cm
Package 3 Weight	4.5 kg


Environmental Data

Schneider Electric aims to achieve Net Zero status by 2050 through supply chain partnerships, lower impact materials, and circularity via our ongoing “Use Better, Use Longer, Use Again” campaign to extend product lifetimes and recyclability.

[Environmental Data explained >](#)

[How we assess product sustainability >](#)

Use Better

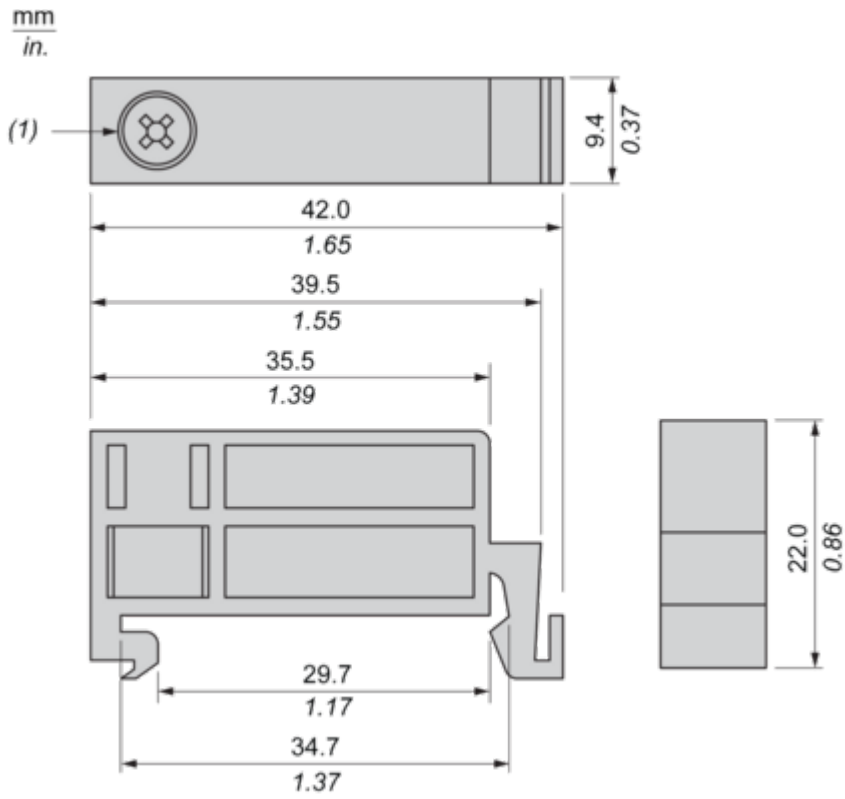
 Materials and Substances	
Packaging made with recycled cardboard	Yes
Packaging without single use plastic	No
EU RoHS Directive	Pro-active compliance (Product out of EU RoHS legal scope)
California proposition 65	WARNING: This product can expose you to chemicals including: Nickel compounds, which is known to the State of California to cause cancer, and Di-isodecyl phthalate (DIDP), which is known to the State of California to cause birth defects or other reproductive harm. For more information go to www.P65Warnings.ca.gov

Use Again

 Repack and remanufacture	
Take-back	No

Dimensions Drawings

Dimensions



(1) : Screw/clear Zinc Chromate

Technical Illustration

Dimensions

mm
in.

