

# CONTINUOUS VOLTAGE SMD TCXO

**ATXAIG-H11**

Request Samples



Check Inventory



ESD Sensitive



3.2 x 2.5 x 1.2 mm  
RoHS/RoHS II Compliant  
MSL Level = 1

## Features

- AEC-Q200 Qualified
- TS16949 Production Line Certified
- PPAP Available Upon Request
- Both continuous & fixed Vdd options available

## Applications

- Cellular and cordless phones
- Standard oscillator for exact equipment
- Consumer electronics
- Industrial control & automation
- Mobile communication

## Electrical Specifications <sup>[Note 1]</sup>

Parameters	Min.	Typ.	Max.	Units	Notes
Frequency Range	8.0		70	MHz	
Operating Temperature	-40		+85	°C	See Options (Table 1)
Storage Temperature	-55		+125	°C	
<b>Frequency Stability <math>\Delta f/f_0</math> vs:</b>					
<i>Tolerance</i>	-1.0		+1.0	ppm	Reference to $f_0$ , at 25°C±2°C, Pre-reflow
<i>Tolerance</i>	-2.0		+2.0		Reference to $f_0$ , at 25°C ±2°C, 24 hours after reflow, two times
<i>Temperature</i>	-2.5		+2.5		See Options (Table 1)
<i>Supply Voltage Change</i>	-0.3		+0.3		Reference to $f_0$ , at 25°C ±2°C
<i>Load Change</i>	-0.2		+0.2		Vdd ± 5%
Aging	-1.0		+1.0		First year @+25°C±2°C
Supply Voltage (Vdd)	+3.135	+3.3	+3.465	V	Option E
	+2.85	+3.0	+3.15		Option A
	+2.66	+2.8	+2.94		Option B
	+2.375	+2.5	+2.625		Option C
	+1.71	+1.8	+1.89		Option D
	+1.68		+3.63		Option F
Supply Current (Idd)			10	mA	
Start-up Time			2	ms	
Rise and Fall Time (Tr/Tf) @10%Vdd-90%Vdd, 15pF load			5	ns	
Symmetry @ ½ Vdd	45	50	55	%	
Output Voltage	V <sub>OH</sub>	90%Vdd		V	
	V <sub>OL</sub>		10%Vdd		
Output Load			15	pF	CMOS
Output Waveform	CMOS				
Tri-state function <sup>[Note 2]</sup>	“1” (VIH≥0.7*Vdd) or Open: Oscillation; “0” (VIL<0.3*Vdd): No Oscillation/Hi Z			V	

**Note 1:** All measurements made at 25°C ±2°C, nominal Vdd, unless otherwise specified

**Note 2:** Do not leave pin 1 (INH) floating. If pin 1 (INH) is not utilized for toggling, it must be tied to Vdd (logic 1).

# CONTINUOUS VOLTAGE SMD TCXO

**ATXAIG-H11**

Request Samples



Check Inventory



ESD Sensitive



3.2 x 2.5 x 1.2 mm  
**RoHS/RoHS II Compliant**  
 MSL Level = 1

## Part Identification

ATXAIG-H11-- MHz--

Vdd (V)
A: 3.0V±5%
B: 2.8V±5%
C: 2.5V±5%
D: 1.8V±5%
E: 3.3V±5%
F: +1.68V ~ +3.63V

Frequency in MHz
Please specify the frequency in MHz. e.g. 26.000MHz

Packaging
Blank: Bulk
T3: 3000pcs/reel

**Table 1: Frequency Stability vs Operating Temperature**

	±2.5ppm	±3.0ppm	±4.0ppm	±5.0ppm
0°C ~ +70°C	A25	A30	A40	A50
-10°C ~ +60°C	B25	B30	B40	B50
-20°C ~ +70°C	C25	C30	C40	C50
-30°C ~ +75°C	D25	D30	D40	D50
-30°C ~ +85°C	E25	E30	E40	E50
-40°C ~ +85°C	F25	F30	F40	F50

# CONTINUOUS VOLTAGE SMD TCXO

**ATXAIG-H11**

Request Samples



Check Inventory

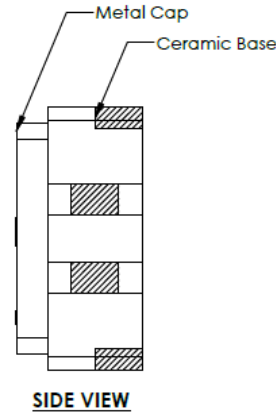
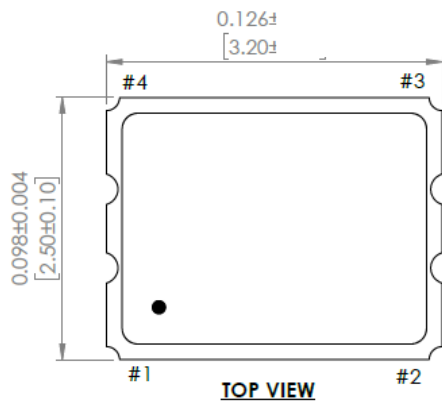


ESD Sensitive

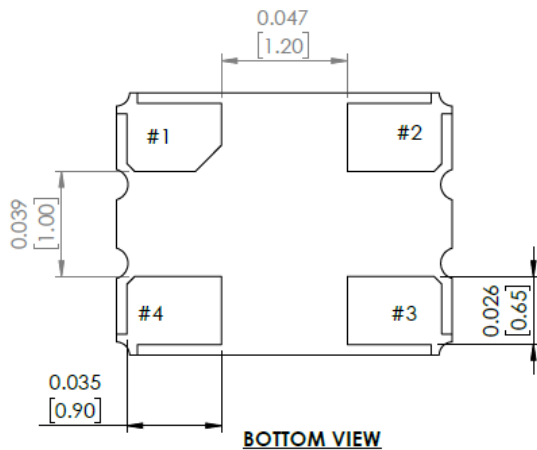
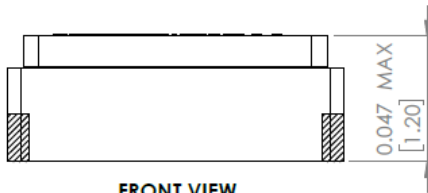
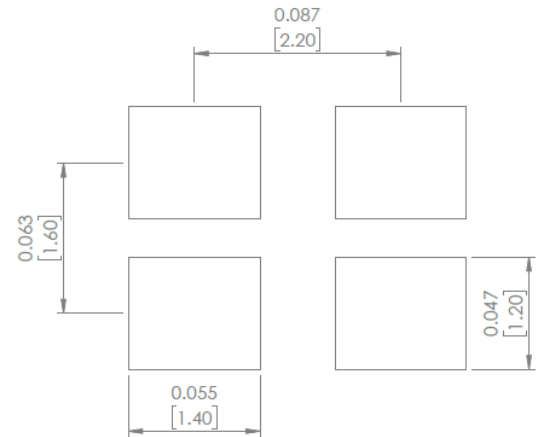


3.2 x 2.5 x 1.2 mm  
**RoHS/RoHS II Compliant**  
 MSL Level = 1

## Mechanical Dimensions



### Recommended Land Pattern



Pin #	Function
1	INH
2	GND
3	Output
4	Vdd

INH Function	
#1	#3 (Output)
Open	Active
"H" Level	Active
"L" Level	High Z (No Oscillation)

**Note 3:**

-Do not leave Pin 1 (INH) floating  
 -If Pin 1 (INH) is not utilized for toggling, it must be tied to Vdd (logic 1)

**Note 4:**

Recommended to use approximately 0.01µF bypass capacitor between PIN 2 and PIN 4

**Dimensions: inches (mm)**



5101 Hidden Creek Ln Spicewood TX 78669  
 Phone: 512-371-6159 | Fax: 512-351-8858  
 For terms and conditions of sales, please visit:  
[www.abracon.com](http://www.abracon.com)

**REVISED: 02-03-23**

ABRACON IS  
 ISO9001-2015  
 CERTIFIED

# CONTINUOUS VOLTAGE SMD TCXO

ATXAIG-H11

Request Samples



Check Inventory



ESD Sensitive



3.2 x 2.5 x 1.2 mm  
RoHS/RoHS II Compliant  
MSL Level = 1

## Reflow Profile [JDEC J-STD-020]

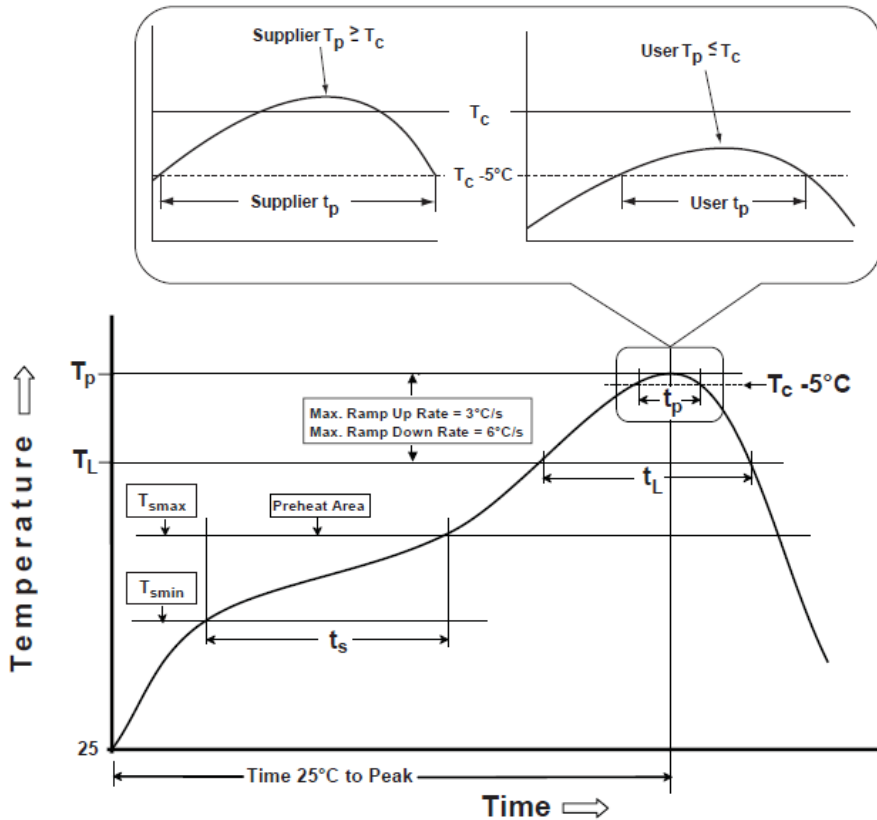


Table 1

SnPb Eutectic Process Classification Temperatures (T <sub>c</sub> )		
Package Thickness	Volume mm <sup>3</sup> <350	Volume mm <sup>3</sup> ≥350
<2.5 mm	235 °C	220 °C
≥2.5 mm	220 °C	220 °C

Table 2

Pb-Free Process Classification Temperatures (T <sub>c</sub> )			
Package Thickness	Volume mm <sup>3</sup> <350	Volume mm <sup>3</sup> 350-2000	Volume mm <sup>3</sup> >2000
<1.6 mm	260 °C	260 °C	260 °C
1.6 mm - 2.5 mm	260 °C	250 °C	245 °C
>2.5 mm	250 °C	245 °C	245 °C

Profile Feature	Sn-Pb Eutectic Assembly	Pb-Free Assembly
Preheat / soak		
Temperature minimum (T <sub>smin</sub> )	100°C	150°C
Temperature maximum (T <sub>smax</sub> )	150°C	200°C
Time (T <sub>smin</sub> to T <sub>smax</sub> ) (t <sub>s</sub> )	60 - 120 sec.	60 - 120 sec.
Average ramp-up rate (T <sub>smax</sub> to T <sub>p</sub> )	3°C/sec. max	3°C/sec. max
Liquidous temperature (T <sub>L</sub> )	183°C	217°C
Time at liquidous (t <sub>L</sub> )	60 - 150 sec.	60 - 150 sec.
Peak package body temperature (T <sub>p</sub> )*	see Table 1	see Table 2
Time (t <sub>p</sub> )** within 5°C of the specified classification temperature (T <sub>c</sub> )	20 sec.	30 sec.
Ramp-down rate (T <sub>p</sub> to T <sub>smax</sub> )	6°C/sec. max	6°C/sec. max
Time 25°C to peak temperature	6 min. max	8 min. max

\*Tolerance for peak profile temperature (T<sub>p</sub>) is defined as a supplier minimum and a user maximum.

\*\*Tolerance for time at peak profile temperature (t<sub>p</sub>) is defined as a supplier minimum and a user maximum.

# CONTINUOUS VOLTAGE SMD TCXO

ATXAIG-H11

Request Samples



Check Inventory



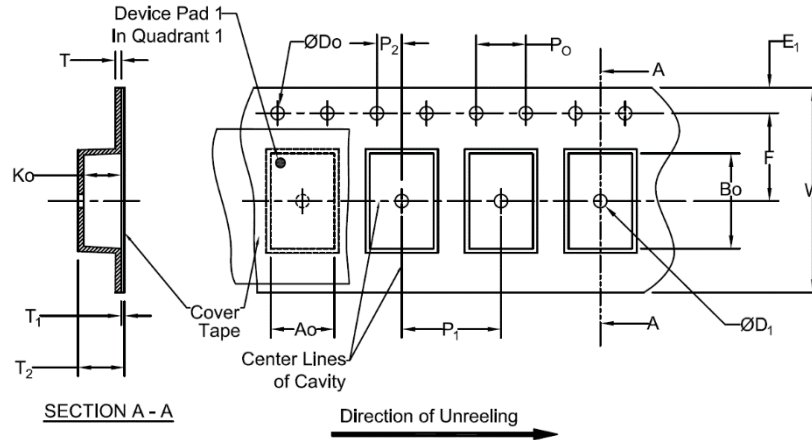
ESD Sensitive



3.2 x 2.5 x 1.2 mm  
RoHS/RoHS II Compliant  
MSL Level = 1

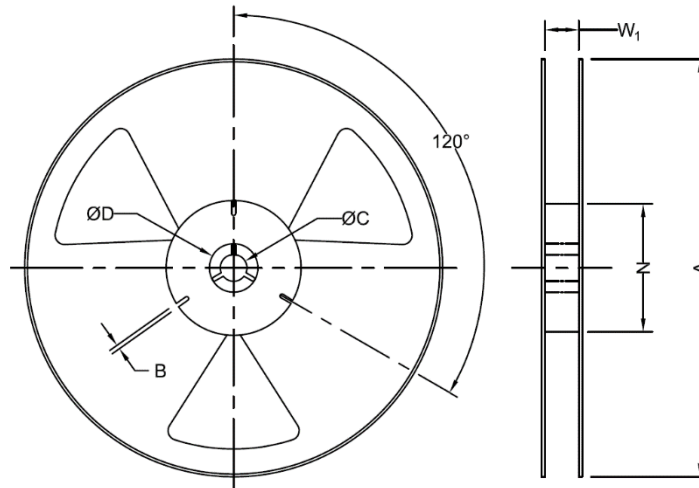
## Packaging

T3: 3,000pcs/reel



Tape Specifications (mm)							
Width	A <sub>0</sub>	B <sub>0</sub>	D <sub>0</sub>	D <sub>1</sub> (Min)	E <sub>1</sub>	F	K <sub>0</sub>
8mm	*	*	1.5+0.1/-0.0	1.0	1.75±0.1	3.5±0.05	*
Width	P <sub>1</sub>	P <sub>2</sub>	P <sub>0</sub>	T (Max)	T <sub>1</sub> (Max)	T <sub>2</sub> (Max)	W (Max)
8mm	4.0±0.1	2.0±0.05	4.0±0.1	0.6	0.1	2.5	8.3

\*Note: Compliant to EIA-481



Reel Specifications (mm)							
Width	Qty/Reel	A	B	C (Min)	D	N	*W <sub>1</sub>
8mm	3000	178	1.5	13.0+0.5/-0.2	20.2	50	8.4+1.5/-0.0

\*Note: Measured at Hub

**ATTENTION:** Abracon LLC's products are COTS – Commercial-Off-The-Shelf products; suitable for Commercial, Industrial and, where designated, Automotive Applications. Abracon's products are not specifically designed for Military, Aviation, Aerospace, Life-dependent Medical applications or any application requiring high reliability where component failure could result in loss of life and/or property. For applications requiring high reliability and/or presenting an extreme operating environment, written consent and authorization from Abracon LLC is required. Please contact Abracon LLC for more information.



5101 Hidden Creek Ln Spicewood TX 78669  
Phone: 512-371-6159 | Fax: 512-351-8858  
For terms and conditions of sales, please visit:  
www.abracon.com

REVISED: 02-03-23

ABRACON IS  
ISO9001-2015  
CERTIFIED